

SIEMENS

CATALOG NO. 3F3Y112CHD100

SERIAL NO.

112.5 kVA 60 Hz 3 PHASE

5 % IMP AT 170 °C

150 °C RISE 30 °C AVG. AMBIENT

220 °C TEMP CLASS 40 °C MAX. AMBIENT

PRIMARY (H1 H2 H3) 480V V 10 kV BIL

SECONDARY (X0 X1 X2 X3) 120Y/69V V 10 kV BIL

NEUTRAL (200%) V

WINDING MATERIAL CU

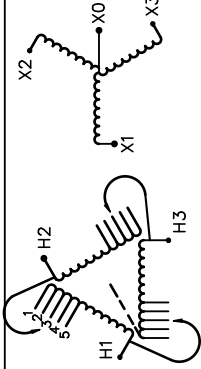
ENCLOSURE TYPE 3R WEIGHT 1050 LBS

ENERGY EFFICIENCY EXCEEDS CSA DOE 10 CFR PART 431:2016

SPACINGS BETWEEN ANY VENTILATED ENCLOSURE PANEL AND ANY ADJACENT WALL SHALL BE A MINIMUM OF 5 INCHES EXCEPT WHEN WALL MOUNTED USING APPROVED WALL MOUNTING KIT ELECTROSTATIC SHIELD

SUITABLE FOR INDOOR OR OUTDOOR LOCATIONS BEFORE HANDLING, INSTALLING AND OPERATING, SEE INSTRUCTION MANUAL

NEMA Class AA Dry Type Harmonic Mitigating Transformer Siemens Industry, Inc. Norcross, GA



VOLTS	CONNECT
504	1
492	2
480	3
468	4
456	5

TYPE K



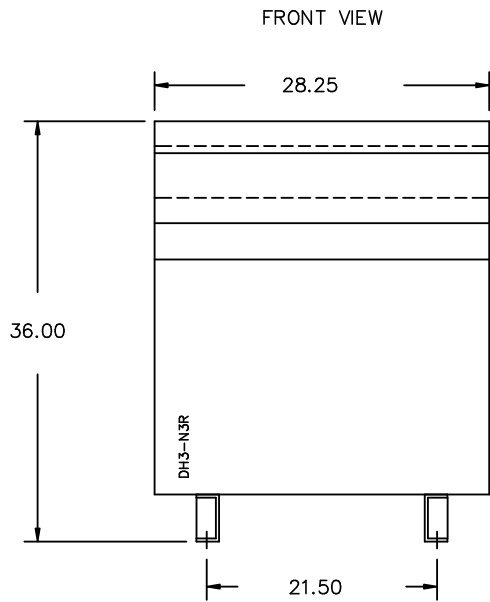
SEISMIC QUALIFICATIONS, FLOOR MOUNT ONLY
OSP-0136-10 IBC 2012/ASCE 7-10
SDS<=2.0g Z/h=1 ip=1.5



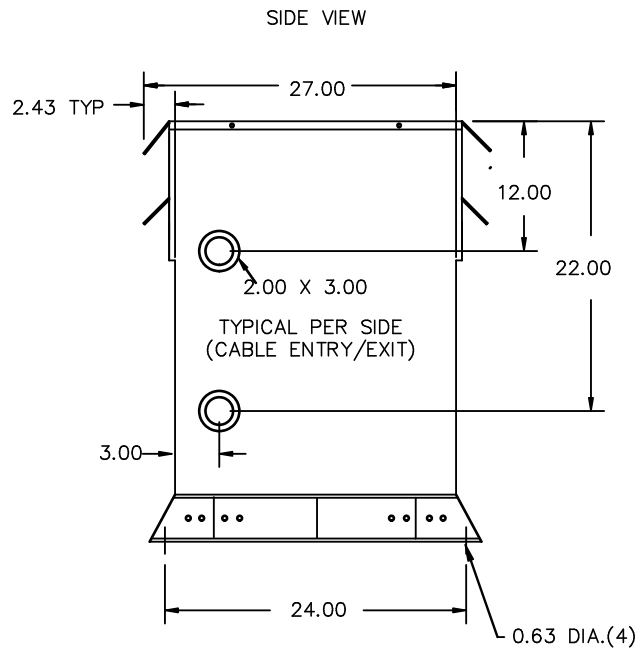
REVISION	DATE	BY	DATE	BY
		DRAWN	16/01/27	AS
		CHEK'D		
		VERIF'D		

Confidential - Property of
Siemens Industry, Inc.

CUSTOMER	ORDER NO.	DWG. NO.	
		3F3Y112CHD100	SH 1 OF 2



All Dimensions in inches

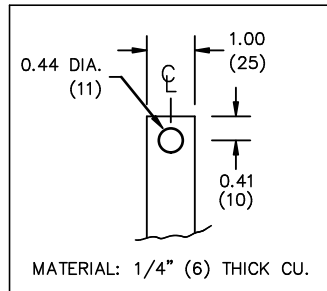


ENCLOSURE COLOR :ANSI 61 GREY – OUTDOOR

H.V.1. TERMINAL DETAIL

L.V.1. TERMINAL DETAIL

MECHANICAL TYPE LUGS INCLUDED
SUITABLE FOR 250MCM-6 CU/AL
CONDUCTORS
1 CONDUCTOR PER PHASE



CUSTOMER NOTES:
- HV1 TERMINATED AT BOTTOM FRONT
- LV1 TERMINATED AT TOP FRONT
NEUTRAL RATED 200%

Confidential – Property of
Siemens Industry, Inc.

REVISION	DATE	BY	DATE	BY	CUSTOMER
			DRAWN 16/01/27	AS	
			CHEK'D		
			VERIF'D		
					ORDER NO.
					DWG. NO. 3F3Y112CHD100
					SH 2 OF 2