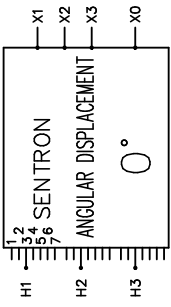



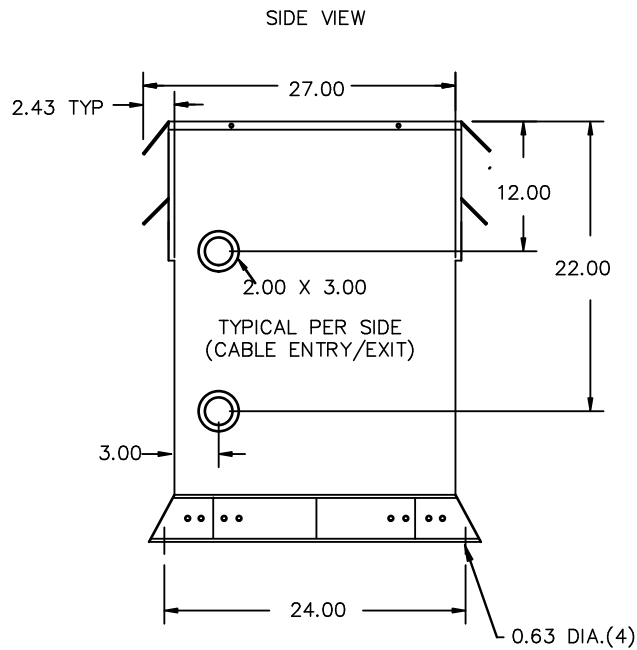
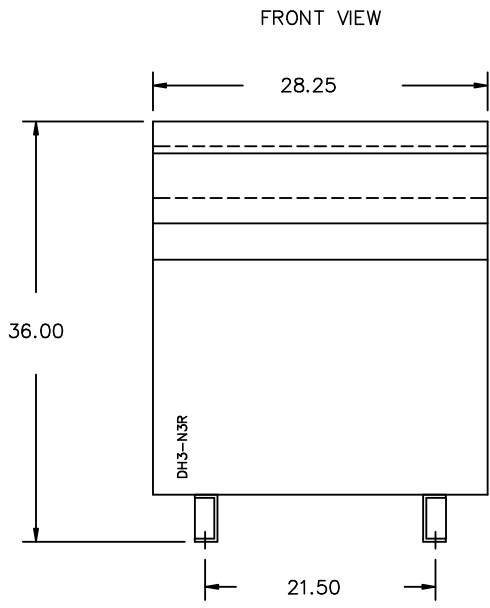
REVISION	DATE	BY	DATE	BY
			16/03/04	LC
		CHEK'D		
		VERIF'D		

Confidential - Property of Siemens Industry, Inc.	
CUSTOMER	
ORDER NO.	DWG. NO.
	3F3Y075FLN3HD100 SH 1 OF 2

SIEMENS

<p>CATALOG NO. 3F3Y075FLN3HD100</p> <p>SERIAL NO. SERIES H</p> <p>75 kVA 60 Hz 3 PHASE</p> <p>5.1 % IMP AT 135 °C</p> <p>115 °C RISE 3 °C AVG. AMBIENT</p> <p>220 °C TEMP CLASS 40 °C MAX. AMBIENT</p> <p>PRIMARY (H1 H2 H3) 480 V 10 kV BIL</p> <p>SECONDARY (X1 X2 X3) 208Y/120 V 10 kV BIL</p> <p>NEUTRAL (X0(200%)) V</p> <p>WINDING MATERIAL AL</p> <p>ENCLOSURE TYPE 3R WEIGHT 655 LBS</p> <p>ENERGY EFFICIENCY EXCEEDS NEMA TPI-2002 DOE 10 CFR PART 431:2016</p> <p>SPACINGS BETWEEN ANY VENTILATED ENCLOSURE PANEL AND ANY ADJACENT WALL SHALL BE A MINIMUM OF 5 INCHES EXCEPT WHEN WALL MOUNTED USING APPROVED WALL MOUNTING KIT ELECTROSTATIC SHIELD SOUND LEVEL IS 3 DB LOWER THAN NEMA ST20 REQUIREMENTS</p> <p>SUITABLE FOR INDOOR OR OUTDOOR LOCATIONS BEFORE HANDLING, INSTALLING AND OPERATING; SEE INSTRUCTION MANUAL</p> <p>NEMA Class ANN Dry Type Harmonic Mitigating Transformer Siemens Industry, Inc. Norcross, GA 6810703e</p>	 <p>ANGULAR DISPLACEMENT 0°</p> <p>VOLTS CONNECT</p> <table border="0"> <tr><td>504</td><td>1</td></tr> <tr><td>492</td><td>2</td></tr> <tr><td>480</td><td>3</td></tr> <tr><td>468</td><td>4</td></tr> <tr><td>456</td><td>5</td></tr> <tr><td>444</td><td>6</td></tr> <tr><td>432</td><td>7</td></tr> </table>	504	1	492	2	480	3	468	4	456	5	444	6	432	7	<p>TYPE K</p>  <p>DRY TYPE TRANSFORMER 7715 E112313 LR 3902</p> <p>LISTED</p> <p>SEISMIC QUALIFICATIONS, FLOOR MOUNT ONLY OSP-0136-10 IBC 2012/ASCE 7-10 SDS<=2.0g z/h=1 p=1.5</p>
504	1															
492	2															
480	3															
468	4															
456	5															
444	6															
432	7															





All Dimensions in inches

ENCLOSURE COLOR :ANSI 61 GREY – OUTDOOR

H.V.1. TERMINAL DETAIL

L.V.1. TERMINAL DETAIL

MECHANICAL TYPE LUGS INCLUDED
SUITABLE FOR #2/0-14 CU/AL
CONDUCTORS
1 CONDUCTOR PER PHASE

MECHANICAL TYPE LUGS INCLUDED
SUITABLE FOR 600MCM-2 CU/AL
CONDUCTORS
1 CONDUCTOR PER PHASE

CUSTOMER NOTES:

- HV1 TERMINATED AT BOTTOM FRONT
- LV1 TERMINATED AT TOP FRONT
- 200% RATING NEUTRAL

Confidential – Property of
Siemens Industry, Inc.

REVISION	DATE	BY	DATE	BY
		DRAWN	16/03/04	LC
		CHEK'D		
		VERIF'D		

CUSTOMER	
ORDER NO.	DWG. NO. 3F3Y075FLN3HD100
SH 2 OF 2	

0.2 Icen 2016/03/04 15:14