

REVISION	DATE	BY	DATE	BY
		DRAWN	15/12/22	GP
		CHEK'D		
		VERIF'D		

Confidential – Property of Siemens Industry, Inc.		
CUSTOMER	ORDER NO.	DWG. NO.
		3F3Y075CD16BA
		SH 1 OF 2

SIEMENS

CATALOG NO. 3F3Y075CD16BA
 SERIAL NO. SERIES H
 75 kVA 60 Hz 3 PHASE
 3.3 % IMP AT 170 °C

150 °C RISE 30 °C AVG. AMBIENT
 220 °C TEMP CLASS 40 °C MAX. AMBIENT

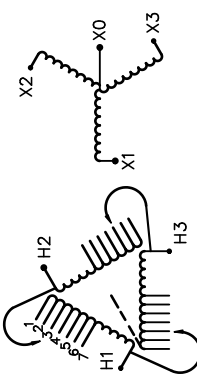
PRIMARY (H1 H2 H3) 480V V 10 kV BIL
 SECONDARY(X0 X1 X2 X3) 208Y/120V V 10 kV BIL

WINDING MATERIAL CU
 ENCLOSURE TYPE 3R WEIGHT 615 LBS
 ENERGY EFFICIENCY EXCEEDS CSA DOE 10 CFR PART 431:2016
 C802.2-2012

SPACINGS BETWEEN ANY VENTILATED ENCLOSURE PANEL AND
 ANY ADJACENT WALL SHALL BE A MINIMUM OF 5 INCHES
 EXCEPT WHEN WALL MOUNTED USING APPROVED WALL MOUNTING KIT

SUITABLE FOR INDOOR OR OUTDOOR LOCATIONS
 BEFORE HANDLING, INSTALLING AND OPERATING, SEE INSTRUCTION MANUAL


NEMA Class **ANN** Dry Type Transformer
 Siemens Industry, Inc. Norcross, GA dsu0066e



VOLTS
504
492
480
468
456
444
432

CONNECT


1
2
3
4
5
6
7



LISTED

DRY TYPE TRANSFORMER
7705 E112313

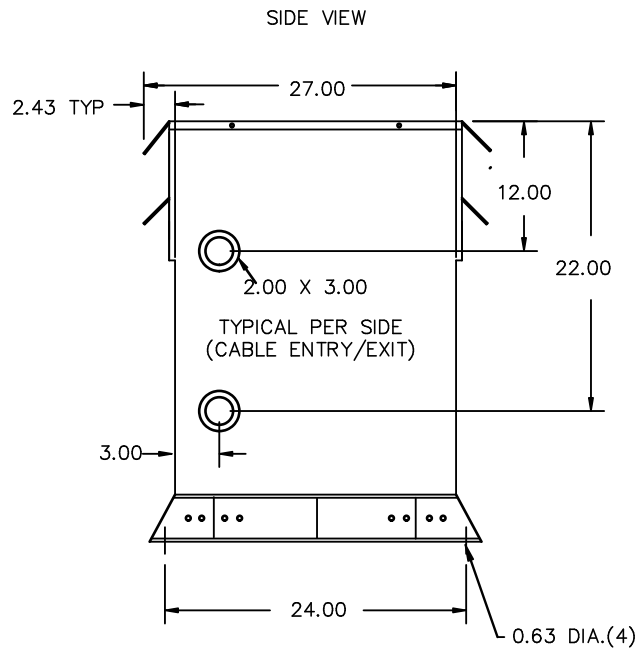
TYPE K



LR 3902

SEISMIC QUALIFICATIONS, FLOOR MOUNT ONLY
 OSP-0136-10 IBC 2012/ASCE 7-10
 SDS<=2.0g Z/h=1 Ip=1.5





All Dimensions in inches

ENCLOSURE COLOR :ANSI 61 GREY – OUTDOOR

H.V.1. TERMINAL DETAIL

L.V.1. TERMINAL DETAIL

MECHANICAL TYPE LUGS INCLUDED
SUITABLE FOR #2/0-14 CU/AL
CONDUCTORS
1 CONDUCTOR PER PHASE

MECHANICAL TYPE LUGS INCLUDED
SUITABLE FOR 600MCM-2 CU/AL
CONDUCTORS
1 CONDUCTOR PER PHASE

CUSTOMER NOTES:

- HV1 TERMINATED AT TOP FRONT
- LV1 TERMINATED AT BOTTOM FRONT

Confidential – Property of
Siemens Industry, Inc.

REVISION	DATE	BY	DATE	BY
			DRAWN 15/12/22	GP
			CHEK'D	
			VERIF'D	

CUSTOMER

ORDER NO.

DWG. NO.

3F3Y075CD16BA

SH 2 OF 2