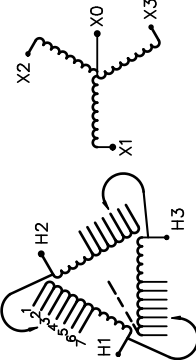




REVISION	DATE	BY	DATE	BY
			15/11/17	JW

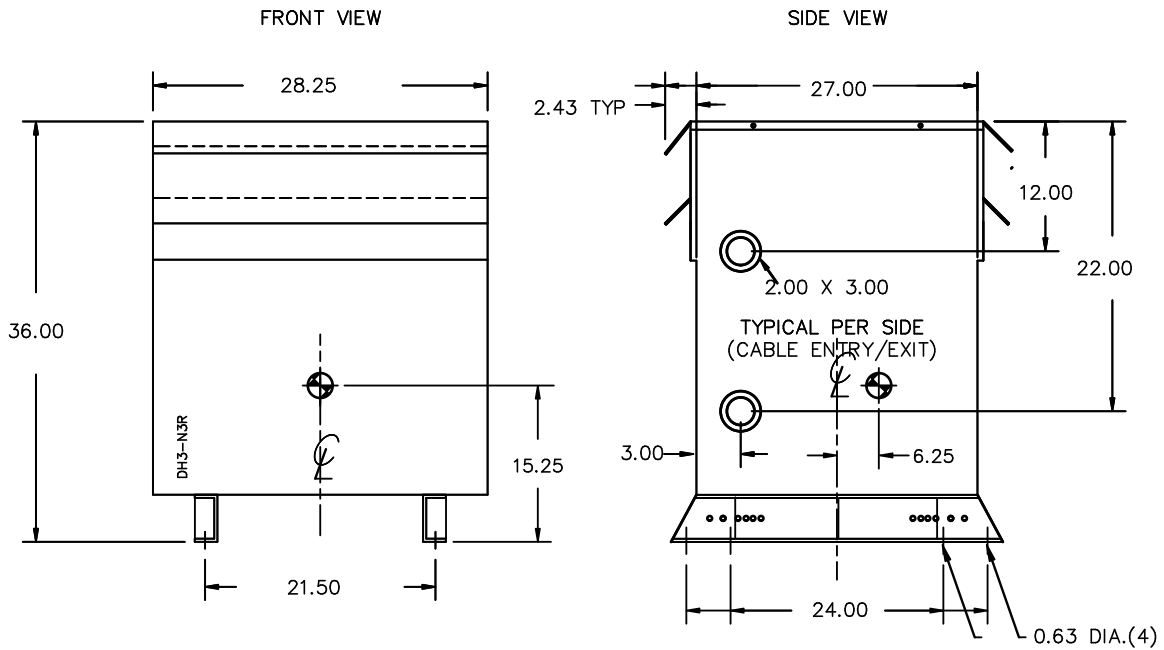
Confidential - Property of <b>Siemens Industry, Inc.</b>	
CUSTOMER	
ORDER NO.	DWG. NO.
	3F3Y045K4FCD16
	SH 1 OF 2

# SIEMENS

<p>CATALOG NO. 3F3Y045K4FCD16</p> <p>SERIAL NO. SERIES H</p> <p>45 kVA 60 Hz 3 PHASE</p> <p>2.0 % IMP AT 135 °C</p> <p>115 °C RISE 30 °C AVG. AMBIENT</p> <p>220 °C TEMP CLASS 40 °C MAX. AMBIENT</p> <p>PRIMARY ( H1 H2 H3 ) 480V V 10 kV BIL</p> <p>SECONDARY( X0 X1 X2 X3 ) 208Y/120V V 10 kV BIL</p> <p>WINDING MATERIAL CU</p> <p>ENCLOSURE TYPE 3R WEIGHT 615 LBS</p> <p>ENERGY EFFICIENCY EXCEEDS CSA 802.2-2012 DOE 10 CFR PART 431:2016</p> <p>SPACINGS BETWEEN ANY VENTILATED ENCLOSURE PANEL AND ANY ADJACENT WALL SHALL BE A MINIMUM OF 5 INCHES EXCEPT WHEN WALL MOUNTED USING APPROVED WALL MOUNTING KIT ELECTROSTATIC SHIELD</p> <p>SUITABLE FOR NONSINUSOIDAL CURRENT LOAD WITH K-FACTOR NOT TO EXCEED K-4 SUITABLE FOR INDOOR OR OUTDOOR LOCATIONS BEFORE HANDLING, INSTALLING AND OPERATING; SEE INSTRUCTION MANUAL</p> <p>NEMA Class ANN Dry Type Transformer</p>	 <p style="text-align: center;">CONNECT</p> <table style="margin-left: auto; margin-right: auto;"> <tr><td>1</td><td>2</td><td>3</td><td>4</td><td>5</td><td>6</td><td>7</td></tr> </table> <p style="text-align: center;">VOLTS</p> <table style="margin-left: auto; margin-right: auto;"> <tr><td>504</td></tr> <tr><td>492</td></tr> <tr><td>480</td></tr> <tr><td>468</td></tr> <tr><td>456</td></tr> <tr><td>444</td></tr> <tr><td>432</td></tr> </table>	1	2	3	4	5	6	7	504	492	480	468	456	444	432	<p style="text-align: center;">TYPE K</p> <div style="display: flex; justify-content: space-around; align-items: center;">   </div> <p style="text-align: center;">LISTED</p> <p style="text-align: center;">SEISMIC QUALIFICATIONS, FLOOR MOUNT ONLY OSP-0136-10 IBC 2012/ASCE 7-10 SDS&lt;=2.0g z/h=1 p=1.5</p> <p style="text-align: center;">Siemens Industry, Inc. Norcross, GA 30092</p>
1	2	3	4	5	6	7										
504																
492																
480																
468																
456																
444																
432																



3F3Y045K4FCD16



All Dimensions in inches

ENCLOSURE COLOR :ANSI 61 GREY – OUTDOOR

H.V.1. TERMINAL DETAIL

L.V.1. TERMINAL DETAIL

MECHANICAL TYPE LUGS INCLUDED  
SUITABLE FOR #2/0-14 CU/AL  
CONDUCTORS  
1 CONDUCTOR PER PHASE

MECHANICAL TYPE LUGS INCLUDED  
SUITABLE FOR 600MCM-2 CU/AL  
CONDUCTORS  
1 CONDUCTOR PER PHASE

CUSTOMER NOTES:

- HV1 TERMINATED AT TOP FRONT
- LV1 TERMINATED AT BOTTOM FRONT
- CG IS APPROXIMATE

Confidential – Property of  
Siemens Industry, Inc.

REVISION	DATE	BY	DATE	BY
		DRAWN	15/11/17	JW
		CHEK'D		
		VERIF'D		

CUSTOMER	
ORDER NO.	DWG. NO.
	3F3Y045K4FCD16
	SH 2 OF 2