
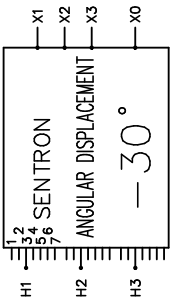


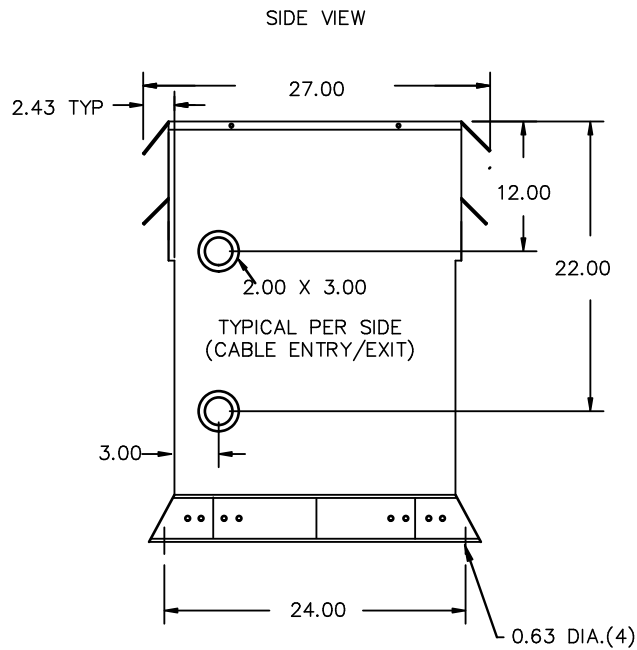
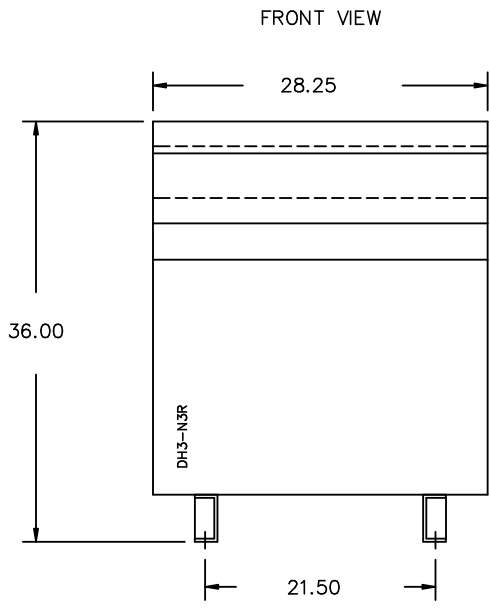


REVISION	DATE	BY	DATE	BY
1	17/01/30	LC	16/03/01	LC

Confidential - Property of Siemens Industry, Inc.	
CUSTOMER	
ORDER NO.	DWG. NO.
	3F3Y045HD130
	1 SH 1 OF 3

SIEMENS

<p>CATALOG NO. 3F3Y045HD130</p> <p>SERIAL NO. SERIES H</p> <p>45 kVA 60 Hz 3 PHASE</p> <p>4.4 % IMP AT 170 °C</p> <p>150 °C RISE 30 °C AVG. AMBIENT</p> <p>220 °C TEMP CLASS 40 °C MAX. AMBIENT</p> <p>PRIMARY (H1 H2 H3) 480YV V 10 kV BIL</p> <p>SECONDARY (X1 X2 X3) 208Y/120V V 10 kV BIL</p> <p>NEUTRAL (X0(200%)) V</p> <p>WINDING MATERIAL AL</p> <p>ENCLOSURE TYPE 3R WEIGHT 535 LBS</p> <p>ENERGY EFFICIENCY EXCEEDS NEMA TPI-2002 DOE 10 CFR PART 431:2016</p> <p>SPACINGS BETWEEN ANY VENTILATED ENCLOSURE PANEL AND ANY ADJACENT WALL SHALL BE A MINIMUM OF 3 INCHES ELECTROSTATIC SHIELD</p> <p>SEISMIC QUALIFICATIONS, OSP-0136-10</p> <p>SUITABLE FOR INDOOR OR OUTDOOR LOCATIONS BEFORE HANDLING, INSTALLING AND OPERATING; SEE INSTRUCTION MANUAL</p> <p>NEMA Class ANN Dry Type Harmonic Mitigating Transformer Siemens Industry, Inc. Norcross, GA 68u0703e</p>	<p>3F3Y045HD130</p> 	 <p>ANGULAR DISPLACEMENT -30°</p> <p>VOLTS CONNECT</p> <table style="margin-left: 20px;"> <tr><td>1</td><td>504</td></tr> <tr><td>2</td><td>492</td></tr> <tr><td>3</td><td>480</td></tr> <tr><td>4</td><td>468</td></tr> <tr><td>5</td><td>456</td></tr> <tr><td>6</td><td>444</td></tr> <tr><td>7</td><td>432</td></tr> </table>	1	504	2	492	3	480	4	468	5	456	6	444	7	432
1	504															
2	492															
3	480															
4	468															
5	456															
6	444															
7	432															
		<p>TYPE K</p>   <p>DRY TYPE TRANSFORMER</p> <p>SEISMIC QUALIFICATIONS, FLOOR MOUNT ONLY OSP-0136-10 IBC 2012/ASCE 7-10 SDS<=2.0g z/h=1 p=1.5</p>														



All Dimensions in inches

ENCLOSURE COLOR :ANSI 61 GREY – OUTDOOR

H.V.1. TERMINAL DETAIL

L.V.1. TERMINAL DETAIL

MECHANICAL TYPE LUGS INCLUDED
SUITABLE FOR #14-2 CU/AL
CONDUCTORS
1 CONDUCTOR PER PHASE

MECHANICAL TYPE LUGS INCLUDED
SUITABLE FOR 250MCM-6 CU/AL
CONDUCTORS
1 CONDUCTOR PER PHASE

CUSTOMER NOTES:

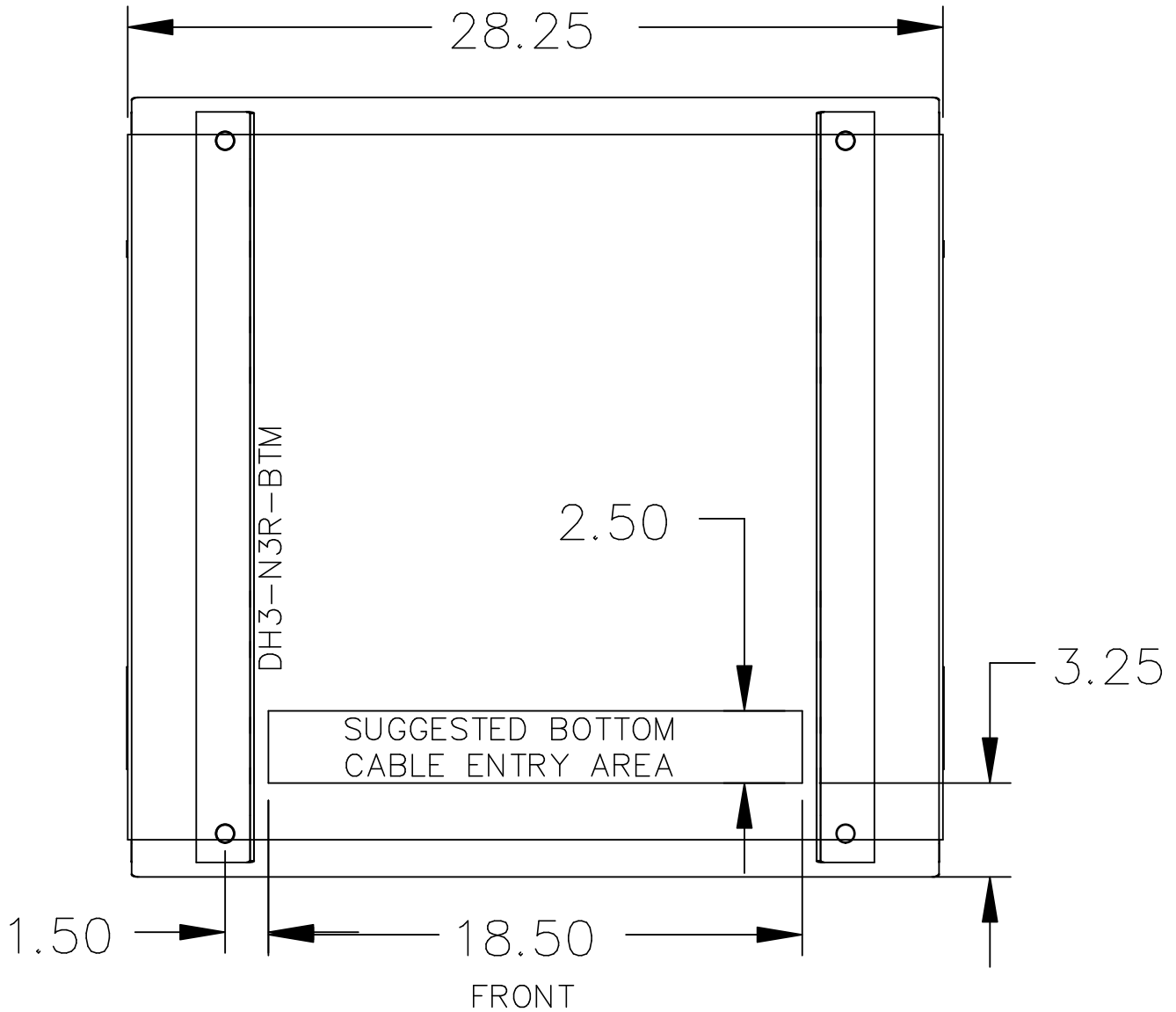
- HV1 TERMINATED AT TOP FRONT
- LV1 TERMINATED AT BOTTOM FRONT
- 200% RATED NEUTRAL, 2X250MCM-#6, TERMINATED AT TOP FRONT

Confidential – Property of
Siemens Industry, Inc.

REVISION	DATE	BY	DATE	BY
		DRAWN	16/03/01	LC
		CHEK'D		
1	CHANGED ADD P3	17/01/30	LC	VERIF'D

CUSTOMER		
ORDER NO.	DWG. NO.	1
	3F3Y045HD130	SH 2 OF 3

1.0 Icem 2017/01/30 11:45



NOTE:
 WHEN BOTTOM CABLE ENTRY IS OPTED, THE SPACE USED FOR CONDUITS IN THE FRONT OF THE TRANSFORMER SHOULD NOT OBSTRUCT MORE THAN 50% OF THE FRONT AIR INTAKE AREA DEFINED BETWEEN THE BOTTOM PLATE AND THE SUPPORTING LEGS.
 SEE MANUAL FOR ADDITIONAL INFORMATION

Confidential - Property of
 Siemens Industry, Inc.

REVISION	DATE	BY	DATE	BY
		DRAWN	16/03/01	LC
		CHEK'D		
1	CHANGED ADD P3	17/01/30	LC	VERIF'D

CUSTOMER		
ORDER NO.	DWG. NO.	1
	3F3Y045HD130	SH 3 OF 3