



Hammond Power Solutions Inc.

TITLE: 3PH DISTRIBUTION TRANSFORMER NAMEPLATE INFORMATION			
DES: PPICASSI			
DATE: 16/02/12			
SCALE: NTS			
NO.	DATE	BY	REVISION

SHEET 1 OF 2

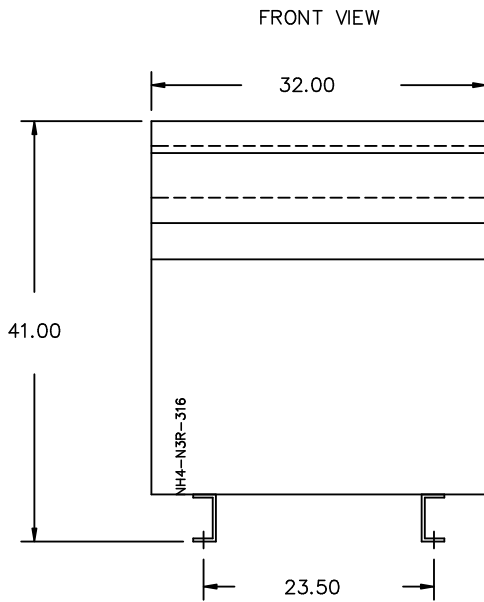
EDB 3B5Y150CD16SS

0.2 ppicassinos 2016/02/12 16:37

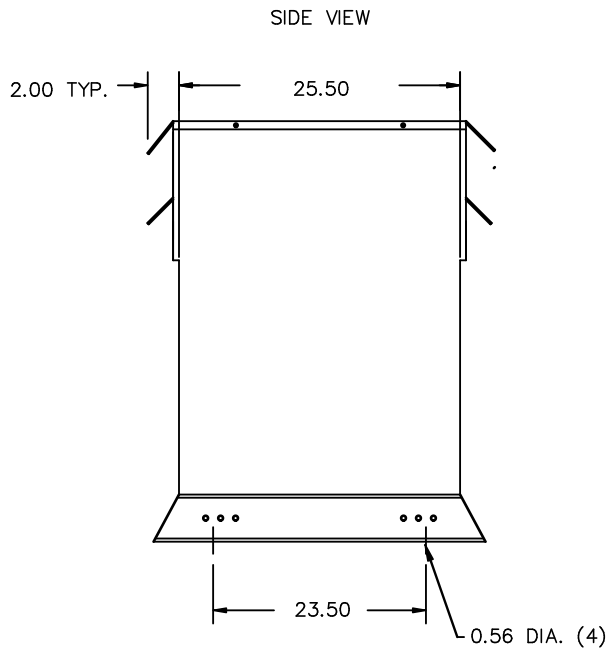
SIEMENS

CATALOG NO. 3B5Y150CD16SS SERIAL NO. SERIES H 150 kVA 60 Hz 3 PHASE 4 % IMP AT 170 °C	150 °C RISE 30 °C AVG. AMBIENT 220 °C TEMP CLASS 40 °C MAX. AMBIENT PRIMARY (X1 X2 X3) 208V V 10 kV BIL SECONDARY(H0 H1 H2 H3) 480Y/277V V 10 kV BIL WINDING MATERIAL CU ENCLOSURE TYPE 3R WEIGHT 1050 LBS ENERGY EFFICIENCY EXCEEDS CSA DOE 10 CFR PART 431:2016 C802.2-2012	<p>VOLTS 218 213 208 203 198 192 187</p> <p>CONNECT 1 2 3 4 5 6 7</p>
SPACINGS BETWEEN ANY VENTILATED ENCLOSURE PANEL AND ANY ADJACENT WALL SHALL BE A MINIMUM OF 5 INCHES EXCEPT WHEN WALL MOUNTED USING APPROVED WALL MOUNTING KIT TRANSFORMER SUITABLE FOR STEP UP OPERATION ONLY		TYPE K DRY TYPE TRANSFORMER 7705 E112313 LR 3902 LISTED SEISMIC QUALIFICATIONS, FLOOR MOUNT ONLY OSP-0136-10 IBC 2012/ASCE 7-10 SDS<=2.0g Z/h=1 Ip=1.5
SUITABLE FOR INDOOR OR OUTDOOR LOCATIONS BEFORE HANDLING, INSTALLING AND OPERATING, SEE INSTRUCTION MANUAL NEMA Class ANN Dry Type Transformer		Siemens Industry, Inc. Norcross, GA dsu0066e1





All Dimensions in inches

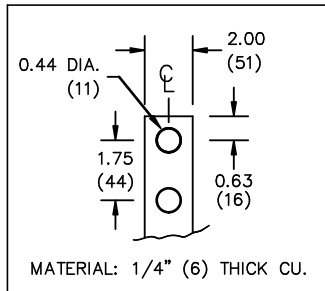


ENCLOSURE COLOR :316 STAINLESS STEEL FINISH #3 POLISH

H.V.1. TERMINAL DETAIL

L.V.1. TERMINAL DETAIL

MECHANICAL TYPE LUGS INCLUDED
SUITABLE FOR 350MCM-6 CU/AL
CONDUCTORS
1 CONDUCTOR PER PHASE



CUSTOMER NOTES:

- HV1 TERMINATED AT BOTTOM FRONT
- LV1 TERMINATED AT TOP FRONT



TITLE: 3PH DISTRIBUTION TRANSFORMER			
DES: PPLICASSI			
DATE: 16/02/12			
SCALE: NTS			
NO.	DATE	BY	REVISION

SHEET 2 OF 2

EDB 3B5Y150CD16SS