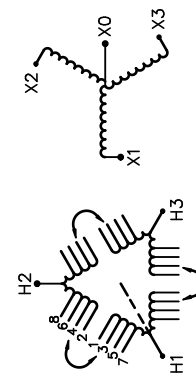




REVISION	DATE	BY	DATE	BY
		DRAWN	16/03/11	PP
		CHEK'D		
		VERIF'D		

Confidential - Property of
Siemens Industry, Inc.

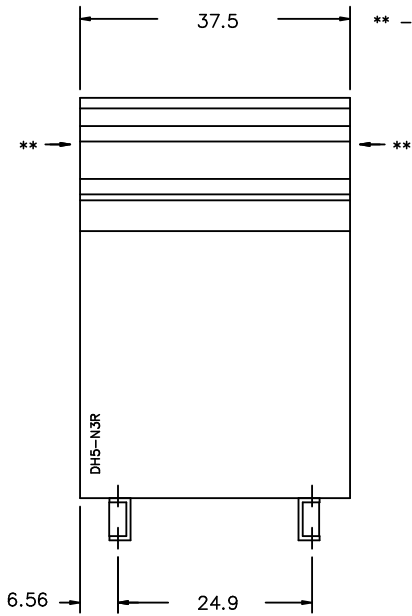
CUSTOMER	
ORDER NO.	DWG. NO.
	3F3Y225BCLN3D16 SH 1 OF 2

SIEMENS

CATALOG NO. 3F3Y225BCLN3D16 SERIAL NO. SERIES H 225 kVA 60 Hz 3 PHASE 3.7 % IMP AT 100 °C		
80 °C RISE 30 °C AVG. AMBIENT 220 °C TEMP CLASS 40 °C MAX. AMBIENT PRIMARY (H1 H2 H3) 480V V 10 kV BIL SECONDARY(X0 X1 X2 X3) 208Y/120V V 10 kV BIL	VOLTS CONNECT 504 1-2 492 2-3 480 3-4 468 4-5 456 5-6 444 6-7 432 7-8	TYPE K  
WINDING MATERIAL CU ENCLOSURE TYPE 3R WEIGHT 2050LBS ENERGY EFFICIENCY EXCEEDS CSA C802.2-2012 DOE 10 CFR PART 431:2016	SEISMIC QUALIFICATIONS, FLOOR MOUNT ONLY OSP-0136-10 IBC 2012/ASCE 7-10 SDS<=2.0g z/h=1 lp=1.5	
SPACINGS BETWEEN ANY VENTILATED ENCLOSURE PANEL AND ANY ADJACENT WALL SHALL BE A MINIMUM OF 5 INCHES EXCEPT WHEN WALL MOUNTED USING APPROVED WALL MOUNTING KIT SOUND LEVEL IS 3 DB LOWER THAN NEMA ST20 REQUIREMENTS	SUITABLE FOR INDOOR OR OUTDOOR LOCATIONS BEFORE HANDLING, INSTALLING AND OPERATING; SEE INSTRUCTION MANUAL NEMA Class ANN Dry Type Transformer	Siemens Industry, Inc. Norcross, GA 30086

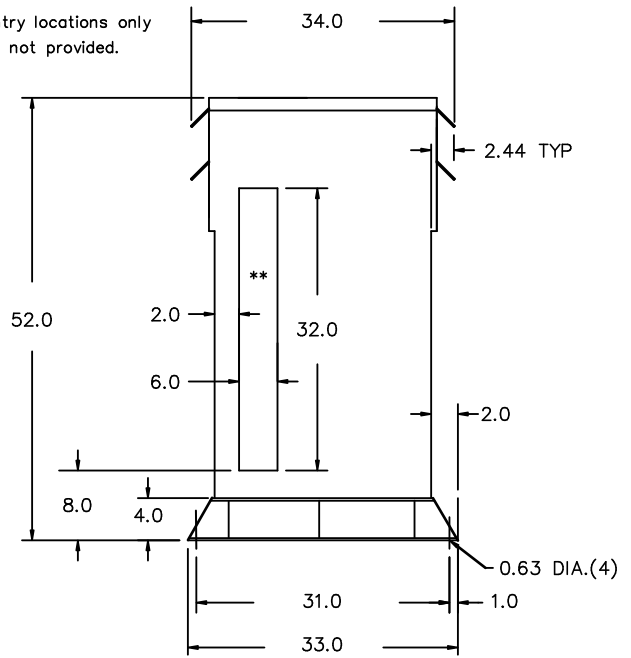


FRONT VIEW



** - Recommended cable entry locations only
cutouts & gland plates not provided.

SIDE VIEW



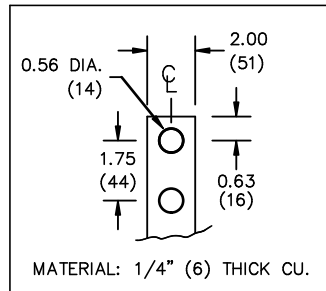
All Dimensions in inches

ENCLOSURE COLOR : ANSI 61 GREY - OUTDOOR

H.V.1. TERMINAL DETAIL

L.V.1. TERMINAL DETAIL

MECHANICAL TYPE LUGS INCLUDED
SUITABLE FOR 350MCM-6 CU/AL
CONDUCTORS
2 CONDUCTORS PER PHASE



CUSTOMER NOTES:

- HV1 TERMINATED AT TOP FRONT
- LV1 TERMINATED AT BOTTOM FRONT

Confidential - Property of
Siemens Industry, Inc.

REVISION	DATE	BY	DATE	BY
			16/03/11	PP

CUSTOMER	
ORDER NO.	DWG. NO.
	3F3Y225BCLN3D16 SH 2 OF 2