

SIEMENS

CATALOG NO. 3F3Y300ESLN3D16

SERIAL NO.

SERIES H

300 kVA 60 Hz 3 PHASE

4.9 % IMP AT 170 °C

150 °C RISE 30 °C AVG. AMBIENT

220 °C TEMP CLASS 40 °C MAX. AMBIENT

PRIMARY (H1 H2 H3) 480V V 10 kV BIL

SECONDARY(X0 X1 X2 X3) 208Y/120V V 10 kV BIL

WINDING MATERIAL AL

ENCLOSURE TYPE 3R WEIGHT 1900 LBS

ENERGY EFFICIENCY EXCEEDS CSA DOE 10 CFR PART 431:2016

SPACINGS BETWEEN ANY VENTILATED ENCLOSURE PANEL AND ANY ADJACENT WALL SHALL BE A MINIMUM OF 5 INCHES EXCEPT WHEN WALL MOUNTED USING APPROVED WALL MOUNTING KIT ELECTROSTATIC SHIELD

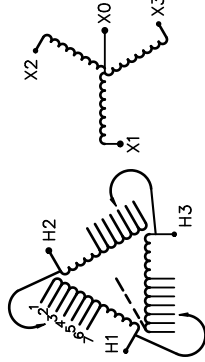
SOUND LEVEL 3dB BELOW NEMA ST20 REQUIREMENTS

SUITABLE FOR INDOOR OR OUTDOOR LOCATIONS BEFORE HANDLING, INSTALLING AND OPERATING, SEE INSTRUCTION MANUAL

NEMA Class ANN Dry Type Transformer

Siemens Industry, Inc. Norcross, GA

des00066



| VOLTS | CONNECT |
|-------|---------|
| 504 | 1 |
| 492 | 2 |
| 480 | 3 |
| 468 | 4 |
| 456 | 5 |
| 444 | 6 |
| 432 | 7 |



3F3Y300ESLN3D16

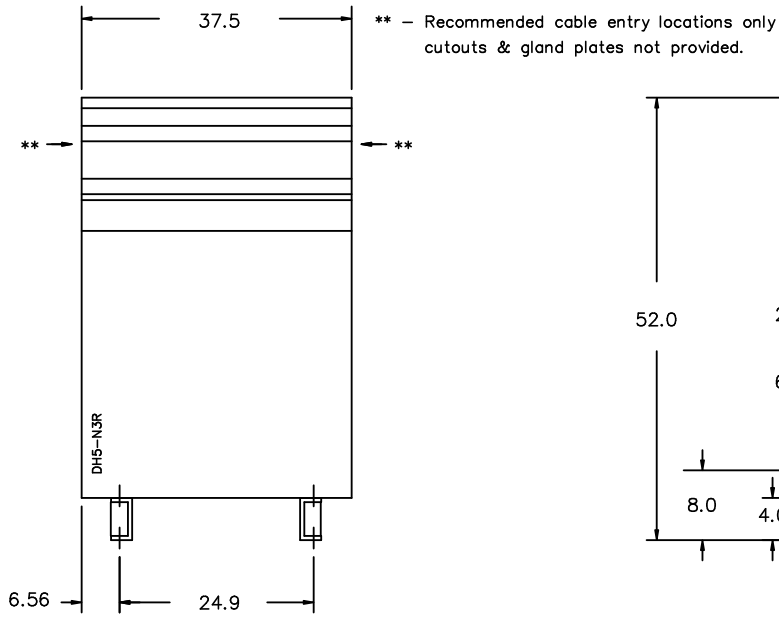


SEISMIC QUALIFICATIONS, FLOOR MOUNT ONLY
OSP-0136-10 IBC 2012/ASCE 7-10
SDS<=2.0g Z/h=1 ip=1.5

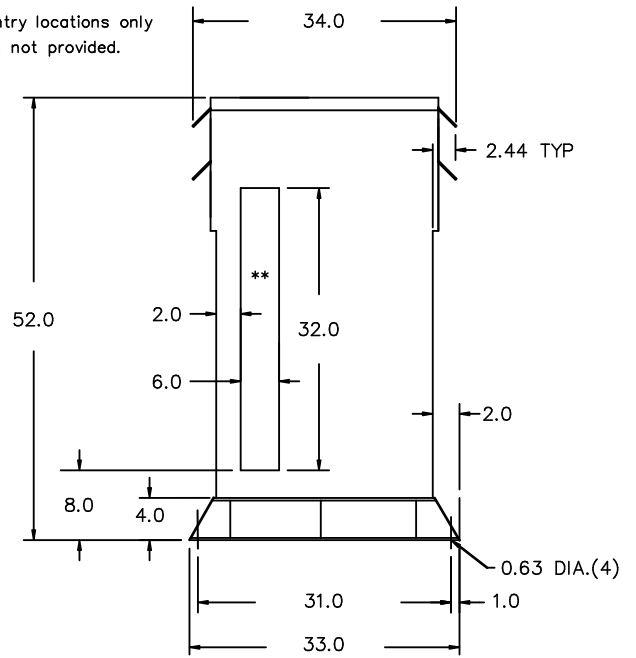
| REVISION | DATE | BY | DATE | BY |
|----------|------|---------|----------|----|
| | | DRAWN | 15/11/17 | JW |
| | | CHEK'D | | |
| | | VERIF'D | | |

| | | |
|--|-----------|-----------------|
| <p>Confidential - Property of Siemens Industry, Inc.</p> | | |
| CUSTOMER | ORDER NO. | DWG. NO. |
| | | 3F3Y300ESLN3D16 |
| | | SH 1 OF 2 |

FRONT VIEW



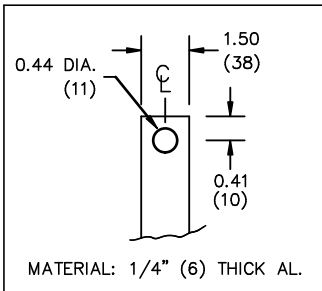
SIDE VIEW



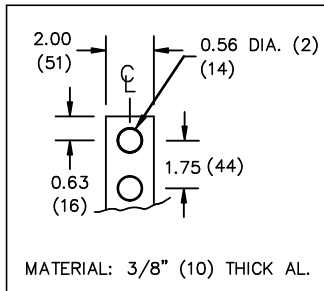
All Dimensions in inches

ENCLOSURE COLOR : ANSI 61 GREY - OUTDOOR

H.V.1. TERMINAL DETAIL



L.V.1. TERMINAL DETAIL



CUSTOMER NOTES:

- HV1 TERMINATED AT TOP FRONT
- LV1 TERMINATED AT BOTTOM FRONT

Confidential - Property of
Siemens Industry, Inc.

| REVISION | DATE | BY | DATE | BY | CUSTOMER |
|----------|------|-----------|----------------|-----------------|-----------|
| | | | DRAWN 15/11/17 | JW | |
| | | | CHEK'D | | |
| | | | VERIF'D | | |
| | | ORDER NO. | | DWG. NO. | |
| | | | | 3F3Y300ESLN3D16 | SH 2 OF 2 |