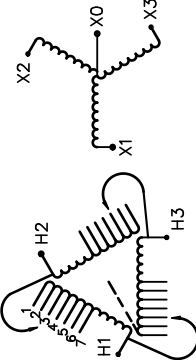




REVISION	DATE	BY	DATE	BY
		DRAWN	16/03/02	PP
		CHEK'D		
		VERIF'D		

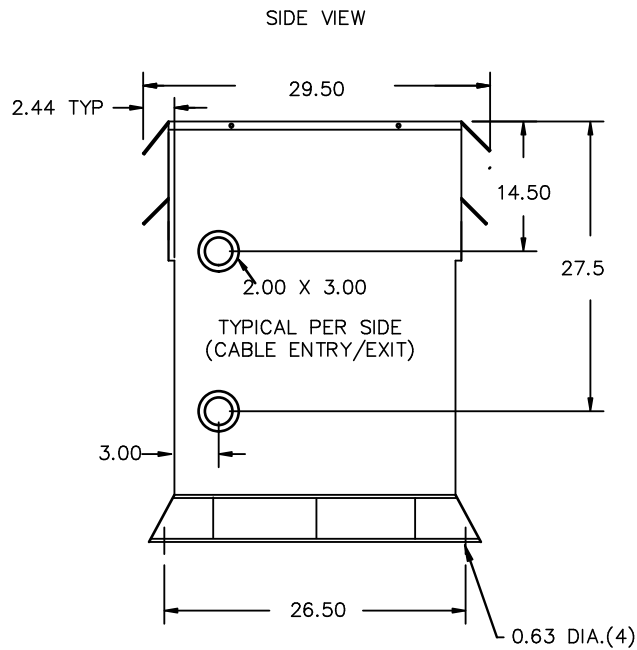
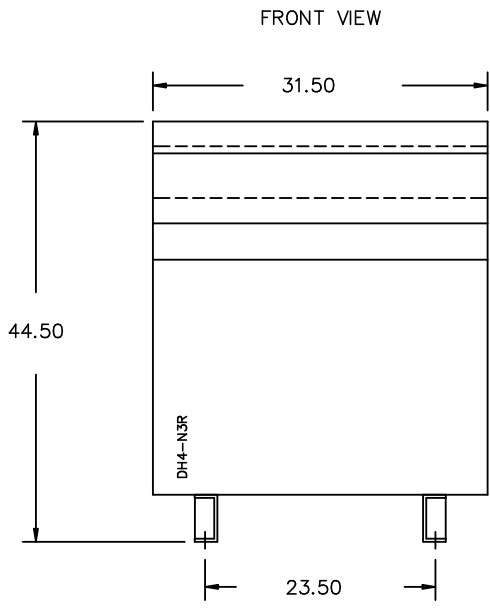
Confidential - Property of  
Siemens Industry, Inc.

CUSTOMER	
ORDER NO.	DWG. NO.
	3F3Y112BESLN3D16 SH 1 OF 2

# SIEMENS

CATALOG NO. 3F3Y112BESLN3D16 SERIAL NO. SERIES H 112.5 kVA 60 Hz 3 PHASE 5.2 % IMP AT 100 °C		
80 °C RISE 220 °C TEMP CLASS PRIMARY ( H1 H2 H3 ) SECONDARY( X0 X1 X2 X3 )	30 °C AVG. AMBIENT 40 °C MAX. AMBIENT 480V V 10 kV BIL 208Y/120V V 10 kV BIL	VOLTS CONNECT 504 492 480 468 456 444 432
WINDING MATERIAL AL ENCLOSURE TYPE 3R WEIGHT 930 LBS ENERGY EFFICIENCY EXCEEDS CSA C802.2-2012 DOE 10 CFR PART 431:2016		TYPE K  LISTED  LR 3902 SEISMIC QUALIFICATIONS, FLOOR MOUNT ONLY OSP-0136-10 IBC 2012/ASCE 7-10 SDS<=2.0g z/h=1 p=1.5
SPACINGS BETWEEN ANY VENTILATED ENCLOSURE PANEL AND ANY ADJACENT WALL SHALL BE A MINIMUM OF 5 INCHES EXCEPT WHEN WALL MOUNTED USING APPROVED WALL MOUNTING KIT ELECTROSTATIC SHIELD SOUND LEVEL IS 3 DB LOWER THAN NEMA ST20 REQUIREMENTS SUITABLE FOR INDOOR OR OUTDOOR LOCATIONS BEFORE HANDLING, INSTALLING AND OPERATING; SEE INSTRUCTION MANUAL NEMA Class ANN Dry Type Transformer Siemens Industry, Inc. Norcross, GA dsu0086e		





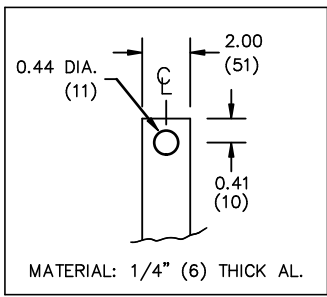
All Dimensions in inches

ENCLOSURE COLOR :ANSI 61 GREY – OUTDOOR

H.V.1. TERMINAL DETAIL

L.V.1. TERMINAL DETAIL

MECHANICAL TYPE LUGS INCLUDED  
SUITABLE FOR 250MCM-6 CU/AL  
CONDUCTORS  
1 CONDUCTOR PER PHASE



- CUSTOMER NOTES:
- HV1 TERMINATED AT TOP FRONT
  - LV1 TERMINATED AT BOTTOM FRONT

Confidential – Property of  
**Siemens Industry, Inc.**

REVISION	DATE	BY	DATE	BY
			16/03/02	PP
			CHEK'D	
			VERIF'D	

CUSTOMER	
ORDER NO.	DWG. NO.
	3F3Y112BESLN3D16 SH 2 OF 2