

REVISION	DATE	BY	DATE	BY
		DRAWN	15/11/09	JW
		CHEK'D		
		VERIF'D		

Confidential - Property of <b>Siemens Industry, Inc.</b>		
CUSTOMER	ORDER NO.	DWG. NO.
		3F3Y045FLN3D16
		SH 1 OF 2

# SIEMENS

CATALOG NO. 3F3Y045FLN3D16  
SERIAL NO. SERIES H  
**45** kVA **60** Hz **3** PHASE  
**2.8** % IMP AT **135** °C

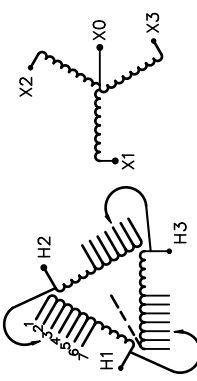
**115** °C RISE **30** °C AVG. AMBIENT  
**220** °C TEMP CLASS **40** °C MAX. AMBIENT

PRIMARY ( H1 H2 H3 ) **480V** V **10** kV BIL  
SECONDARY( X0 X1 X2 X3 ) **208Y/120V** V **10** kV BIL

WINDING MATERIAL **AL**  
ENCLOSURE TYPE **3R** WEIGHT **550** LBS  
ENERGY EFFICIENCY EXCEEDS CSA DOE 10 CFR PART 431:2016  
C802.2-2012


SPACINGS BETWEEN ANY VENTILATED ENCLOSURE PANEL AND  
ANY ADJACENT WALL SHALL BE A MINIMUM OF 5 INCHES  
EXCEPT WHEN WALL MOUNTED USING APPROVED WALL MOUNTING KIT  
SOUND LEVEL 3dB BELOW NEMA ST20 REQUIREMENTS

SUITABLE FOR INDOOR OR OUTDOOR LOCATIONS  
BEFORE HANDLING, INSTALLING AND OPERATING, SEE INSTRUCTION MANUAL  
NEMA Class **ANN** Dry Type Transformer




VOLTS  
504  
492  
480  
468  
456  
444  
432

CONNECT  
1  
2  
3  
4  
5  
6  
7



**LISTED**

DRY TYPE  
TRANSFORMER  
7705  
E112313



LR 3902

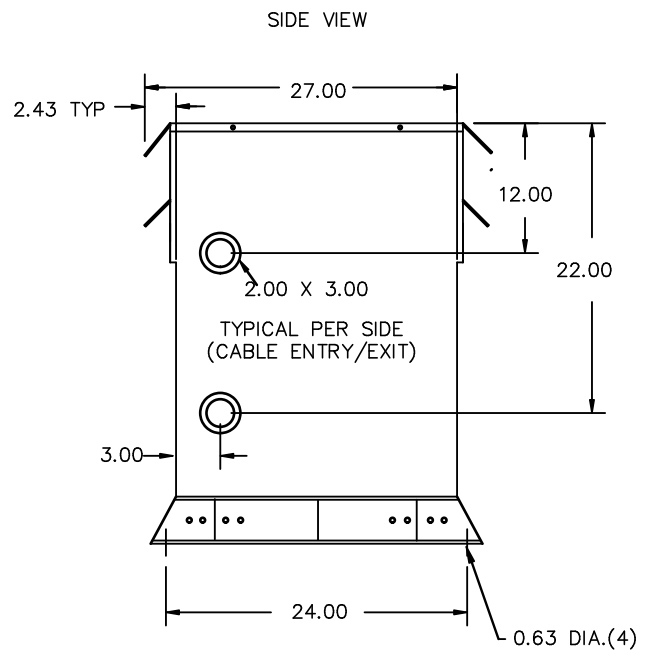
TYPE **K**

SEISMIC QUALIFICATIONS, FLOOR MOUNT ONLY  
OSP-0136-10 IBC 2012/ASCE 7-10  
SDS<=2.0g Z/h=1 Ip=1.5

Siemens Industry, Inc. Norcross, GA ds0006e



3F3Y045FLN3D16



All Dimensions in inches

ENCLOSURE COLOR :ANSI 61 GREY – OUTDOOR

H.V.1. TERMINAL DETAIL

L.V.1. TERMINAL DETAIL

MECHANICAL TYPE LUGS INCLUDED  
SUITABLE FOR #2/0-14 CU/AL  
CONDUCTORS  
1 CONDUCTOR PER PHASE

MECHANICAL TYPE LUGS INCLUDED  
SUITABLE FOR 600MCM-2 CU/AL  
CONDUCTORS  
1 CONDUCTOR PER PHASE

CUSTOMER NOTES:  
- HV1 TERMINATED AT TOP FRONT  
- LV1 TERMINATED AT BOTTOM FRONT

Confidential – Property of  
**Siemens Industry, Inc.**

REVISION	DATE	BY	DATE	BY
			DRAWN 15/11/09	JW
			CHEK'D	
			VERIF'D	

CUSTOMER	
ORDER NO.	DWG. NO. 3F3Y045FLN3D16
SH 2 OF 2	

0.0 jwen 2015/12/03 09:13