

# SIEMENS

CATALOG NO. 3F1Y225D16

SERIAL NO.

SERIES H

225 kVA 60 Hz 3 PHASE

4.8 % IMP AT 170 °C

150 °C RISE 30 °C AVG. AMBIENT

220 °C TEMP CLASS 40 °C MAX. AMBIENT

PRIMARY ( H1 H2 H3 ) 480V V 10 kV BIL

SECONDARY( X1 X2 X3 ) 240V V 10 kV BIL

WINDING MATERIAL AL

ENCLOSURE TYPE 3R WEIGHT 1400 LBS

ENERGY EFFICIENCY EXCEEDS CSA DOE 10 CFR PART 431:2016

C802.2-2012

SPACINGS BETWEEN ANY VENTILATED ENCLOSURE PANEL AND ANY ADJACENT WALL SHALL BE A MINIMUM OF 5 INCHES EXCEPT WHEN WALL MOUNTED USING APPROVED WALL MOUNTING KIT X6=120V CT, 5% OF KVA RATING MAXIMUM

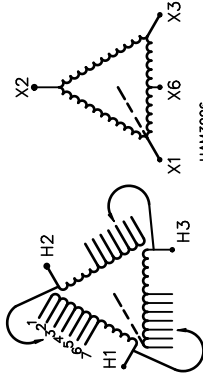
SUITABLE FOR INDOOR OR OUTDOOR LOCATIONS

BEFORE HANDLING, INSTALLING AND OPERATING, SEE INSTRUCTION MANUAL

NEMA Class ANN Dry Type Transformer

Siemens Industry, Inc. Norcross, GA

6800066



HAMB008  
CONNECT

VOLTS

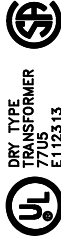
- 504
- 492
- 480
- 468
- 456
- 444
- 432

- 1
- 2
- 3
- 4
- 5
- 6
- 7



3F1Y225D16

TYPE K



LISTED

DRY TYPE  
TRANSFORMER  
7705  
E112313



LR 3902

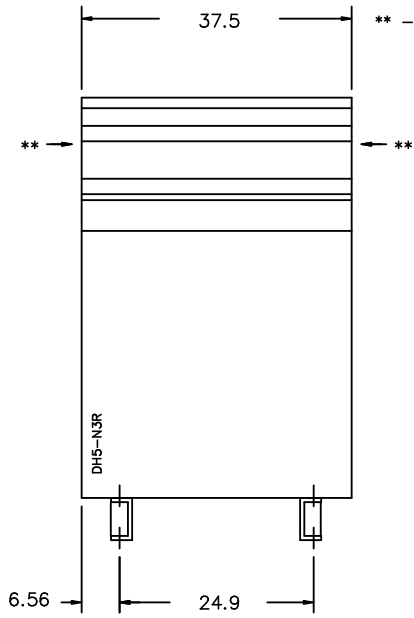
SEISMIC QUALIFICATIONS, FLOOR MOUNT ONLY  
OSP-0136-10 IBC 2012/ASCE 7-10  
SDS<=2.0g Z/h=1 Ip=1.5

REVISION	DATE	BY	DATE	BY
		DRAWN	15/11/09	JW
		CHEK'D		
		VERIF'D		

Confidential - Property of  
Siemens Industry, Inc.

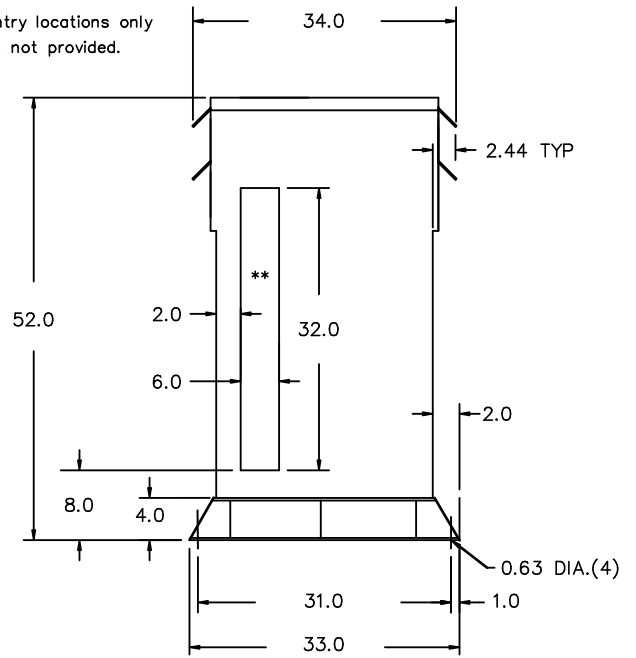
CUSTOMER	
ORDER NO.	DWG. NO.
	3F1Y225D16
	SH 1 OF 2

FRONT VIEW



\*\* - Recommended cable entry locations only  
cutouts & gland plates not provided.

SIDE VIEW



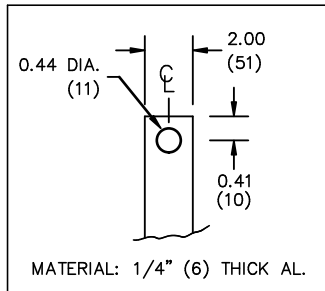
All Dimensions in inches

ENCLOSURE COLOR : ANSI 61 GREY - OUTDOOR

H.V.1. TERMINAL DETAIL

L.V.1. TERMINAL DETAIL

MECHANICAL TYPE LUGS INCLUDED  
SUITABLE FOR 350MCM-6 CU/AL  
CONDUCTORS  
2 CONDUCTORS PER PHASE



CUSTOMER NOTES:

- HV1 TERMINATED AT TOP FRONT
- LV1 TERMINATED AT BOTTOM FRONT

Confidential - Property of  
Siemens Industry, Inc.

REVISION	DATE	BY	DATE	BY	CUSTOMER
			DRAWN 15/11/09	JW	
			CHEK'D		
			VERIF'D		
					ORDER NO.
					DWG. NO. 3F1Y225D16
					SH 2 OF 2