

SIEMENS

CATALOG NO. 3F3Y500BCLN3D16

SERIAL NO. SERIES H
 500 kVA 60 Hz 3 PHASE
 6 % IMP AT 100 °C

80 °C RISE 30 °C AVG. AMBIENT
 220 °C TEMP CLASS 40 °C MAX. AMBIENT
 PRIMARY (H1 H2 H3) 480V V 10 kV BIL
 SECONDARY(X0 X1 X2 X3) 208Y/120V V 10 kV BIL

WINDING MATERIAL CU

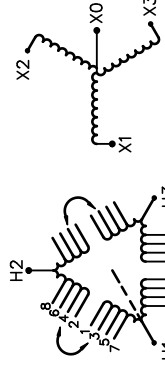
ENCLOSURE TYPE 3R WEIGHT 3650 LBS
 ENERGY EFFICIENCY EXCEEDS CSA DOE 10 CFR PART 431:2016
 C802.2-2012

SPACINGS BETWEEN ANY VENTILATED ENCLOSURE PANEL AND ANY ADJACENT WALL SHALL BE A MINIMUM OF 12 INCHES
 SOUND LEVEL IS 3DB LOWER THAN NEMA ST20 REQUIREMENTS

SUITABLE FOR INDOOR OR OUTDOOR LOCATIONS
 BEFORE HANDLING, INSTALLING AND OPERATING, SEE INSTRUCTION MANUAL

NEMA Class ANN Dry Type Transformer

Siemens Industry, Inc. Norcross, GA



VOLTS
 504
 492
 480
 468
 456
 444
 432

CONNECT
 1-2
 2-3
 3-4
 4-5
 5-6
 6-7
 7-8



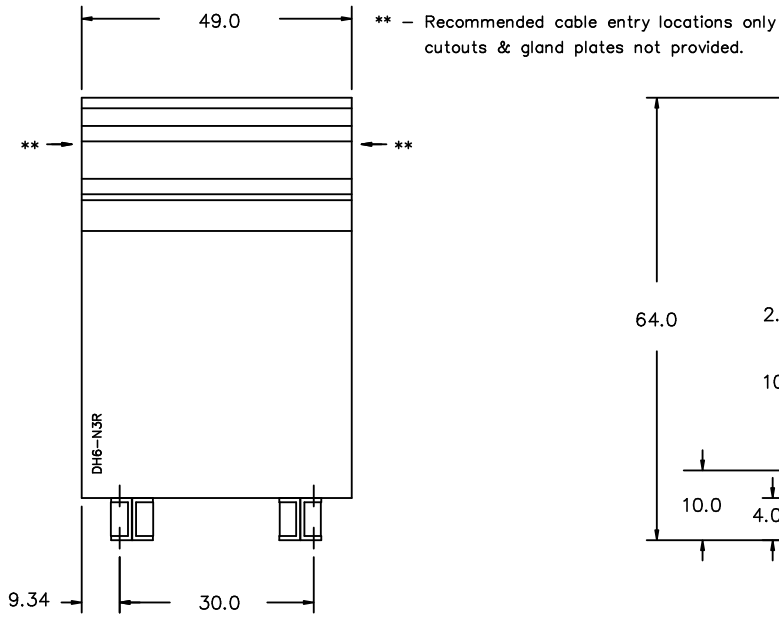
SEISMIC QUALIFICATIONS, FLOOR MOUNT ONLY
 OSP-0136-10 IBC 2012/ASCE 7-10
 SDS<=2.0g Z/h=1 Ip=1.5



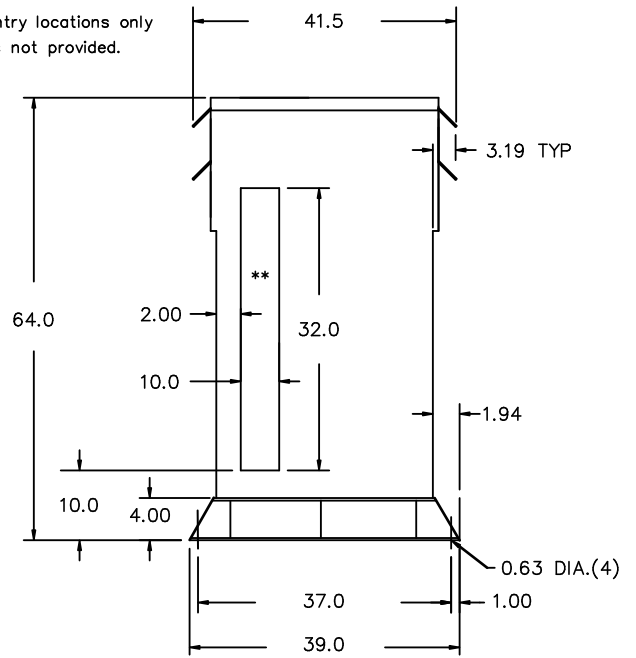
REVISION	DATE	BY	DATE	BY
		DRAWN	16/01/06	PP
		CHEK'D		
		VERIF'D		

Confidential - Property of Siemens Industry, Inc.		
CUSTOMER		
ORDER NO.	DWG. NO.	
	3F3Y500BCLN3D16	SH 1 OF 2

FRONT VIEW



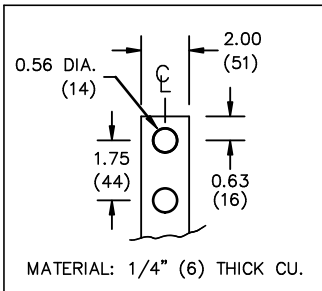
SIDE VIEW



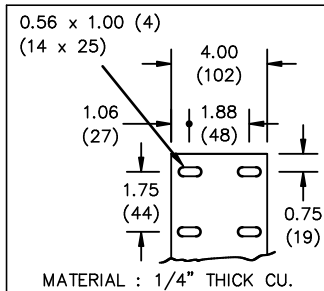
All Dimensions in inches

ENCLOSURE COLOR : ANSI 61 GREY - OUTDOOR

H.V.1. TERMINAL DETAIL



L.V.1. TERMINAL DETAIL



CUSTOMER NOTES:

- HV1 TERMINATED AT TOP FRONT
- LV1 TERMINATED AT BOTTOM FRONT

Confidential - Property of
Siemens Industry, Inc.

REVISION	DATE	BY	DATE	BY	CUSTOMER
			DRAWN 16/01/06	PP	
			CHEK'D		
			VERIF'D		
					ORDER NO.
					DWG. NO.
					3F3Y500BCLN3D16 SH 2 OF 2