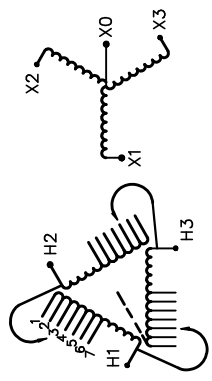


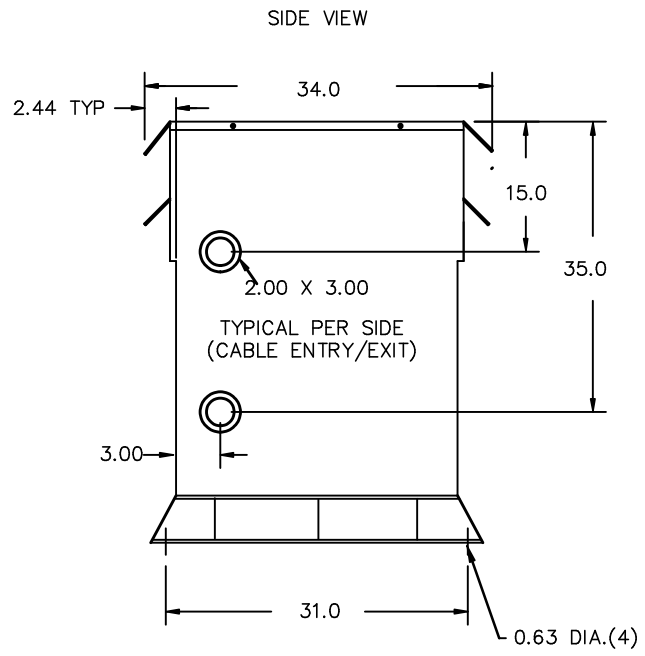
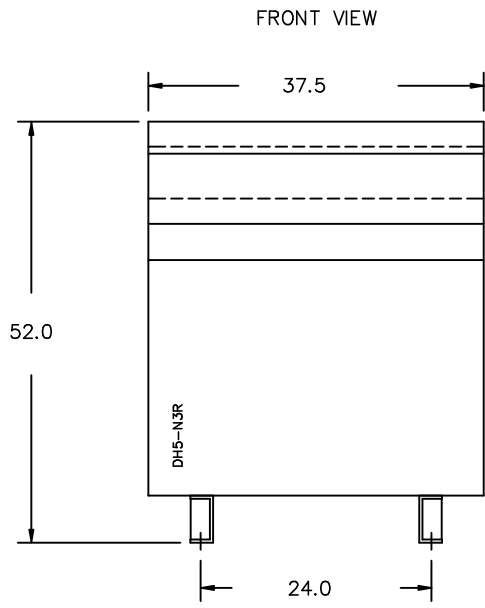
REVISION	DATE	BY	DATE	BY	
1	DESIGN UPDATE	16/10/06	PP	DRAWN 15/12/21	RM
2	ADDED ENCL. BOTTOM DRAWING	17/04/03	JW	CHEK'D	
3	DESIGN UPDATE	17/04/04	PP	VERIF'D	

Siemens Industry, Inc.		
CUSTOMER	ORDER NO.	DWG. NO.
		3
	3F3Y300FCD16	SH 1 OF 3

SIEMENS

CATALOG NO. 3F3Y300FCD16 SERIAL NO. SERIES H 300 kVA 60 Hz 3 PHASE 4.1 % IMP AT 135 °C			
115 °C RISE 30 °C AVG. AMBIENT 220 °C TEMP CLASS 40 °C MAX. AMBIENT		VOLTS CONNECT 504 1 492 2 480 3 468 4 456 5 444 6 432 7	
PRIMARY (H1 H2 H3) 480V V 10 kV BIL SECONDARY(X0 X1 X2 X3) 208Y/120V V 10 kV BIL			
WINDING MATERIAL CU ENCLOSURE TYPE 3R WEIGHT 2100 LBS ENERGY EFFICIENCY EXCEEDS CSA C802.2-2012 DOE 10 CFR PART 431:2016		TYPE K DRY TYPE TRANSFORMER E112313 LISTED UL 7710 LR 3902 SEISMIC QUALIFICATIONS, FLOOR MOUNT ONLY OSP-0136-10 IBC 2012/ASCE 7-10 SDS<=2.0g Z/h=1 Ip=1.5	
SPACINGS BETWEEN ANY VENTILATED ENCLOSURE PANEL AND ANY ADJACENT WALL SHALL BE A MINIMUM OF 5 INCHES EXCEPT WHEN WALL MOUNTED USING APPROVED WALL MOUNTING KIT		SUITABLE FOR INDOOR OR OUTDOOR LOCATIONS BEFORE HANDLING, INSTALLING AND OPERATING, SEE INSTRUCTION MANUAL NEMA Class ANN Dry Type Transformer Siemens Industry, Inc. Norcross, GA dsu0086e	

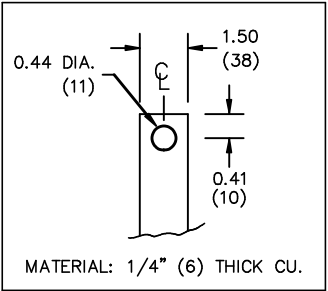




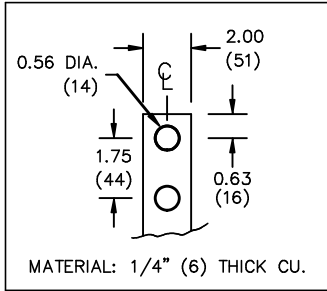
All Dimensions in inches

ENCLOSURE COLOR :ANSI 61 GREY – OUTDOOR

H.V.1. TERMINAL DETAIL



L.V.1. TERMINAL DETAIL



CUSTOMER NOTES:

- HV1 TERMINATED AT TOP FRONT
- LV1 TERMINATED AT BOTTOM FRONT

Siemens Industry, Inc.

REVISION	DATE	BY	DATE	BY
1	DESIGN UPDATE	16/10/06	PP	DRAWN 15/12/21 RM
2	ADDED ENCL. BOTTOM DRAWING	17/04/03	JW	CHEK'D
3	DESIGN UPDATE	17/04/04	PP	VERIF'D

CUSTOMER		
ORDER NO.	DWG. NO.	3
	3F3Y300FCD16	SH 2 OF 3

ENCLOSURE BOTTOM VIEW



NOTE:
 WHEN BOTTOM CABLE ENTRY IS OPTED, THE SPACE USED FOR CONDUITS IN THE FRONT OF THE TRANSFORMER SHOULD NOT OBSTRUCT MORE THAN 50% OF THE FRONT AIR INTAKE AREA DEFINED BETWEEN THE BOTTOM PLATE AND THE SUPPORTING LEGS. SEE MANUAL FOR ADDITIONAL INFORMATION

Siemens Industry, Inc.

REVISION	DATE	BY		DATE	BY	CUSTOMER			
1	DESIGN UPDATE	16/10/06	PP	DRAWN	15/12/21	RM	ORDER NO.	DWG. NO.	3
2	ADDED ENCL. BOTTOM DRAWING	17/04/03	JW	CHEK'D			3F3Y300FCD16		SH 3 OF 3
3	DESIGN UPDATE	17/04/04	PP	VERIF'D					