

REVISION	DATE	BY	DATE	BY
		DRAWN	17/08/23	MA
		CHEK'D		
		VERIF'D		

CUSTOMER	
ORDER NO.	DWG. NO.
	3F3Y015CLN3D16
	SH 1 OF 3

SIEMENS

CATALOG NO. 3F3Y015CLN3D16
 SERIAL NO. SERIES H
 15 kVA 60 Hz 3 PHASE
 3.5 % IMP AT 170 °C

150 °C RISE 30 °C AVG. AMBIENT
 220 °C TEMP CLASS 40 °C MAX. AMBIENT

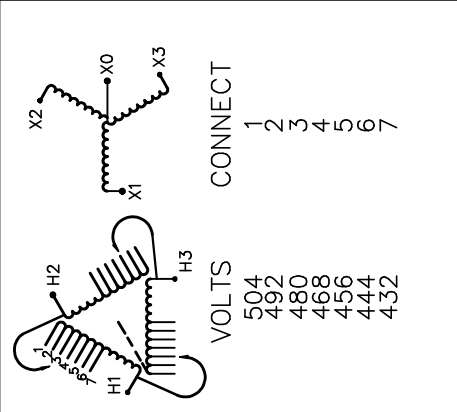
PRIMARY (H1 H2 H3) 480 V 10 kV BIL
 SECONDARY(X0 X1 X2 X3) 208Y/120 V 10 kV BIL

WINDING MATERIAL CU
 ENCLOSURE TYPE 3R WEIGHT 205 LBS
 ENERGY EFFICIENCY EXCEEDS CSA 802.2-2012 DOE 10 CFR PART 431:2016

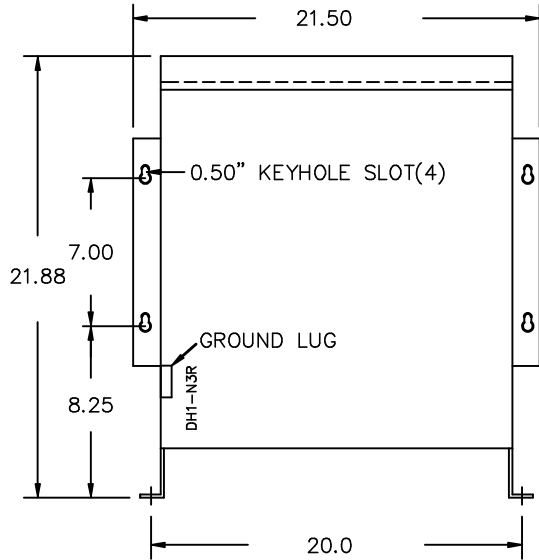
SPACINGS BETWEEN ANY VENTILATED ENCLOSURE PANEL AND ANY ADJACENT WALL SHALL BE A MINIMUM OF 3 INCHES
 SOUND LEVEL IS 3 DB LOWER THAN NEMA ST20 REQUIREMENTS

SUITABLE FOR INDOOR OR OUTDOOR LOCATIONS
 BEFORE HANDLING, INSTALLING AND OPERATING, SEE INSTRUCTION MANUAL

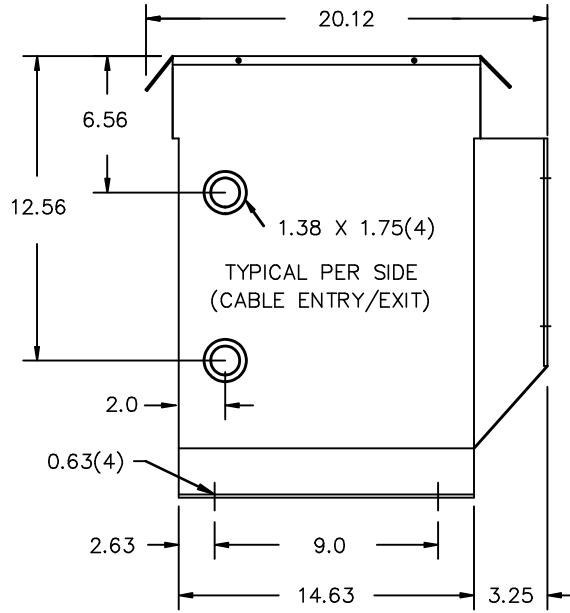
NEMA Class ANN Dry Type Transformer
 Siemens Industry, Inc. Norcross, GA dsu0086e



FRONT VIEW



SIDE VIEW



All Dimensions in inches

ENCLOSURE COLOR : ANSI-61 GREY PAINT OUTDOOR

H.V.1. TERMINAL DETAIL

L.V.1. TERMINAL DETAIL

MECHANICAL TYPE LUGS INCLUDED
SUITABLE FOR #14-2 CU/AL
CONDUCTORS
1 CONDUCTOR PER PHASE

MECHANICAL TYPE LUGS INCLUDED
SUITABLE FOR #14-2 CU/AL
CONDUCTORS
1 CONDUCTOR PER PHASE

CUSTOMER NOTES:

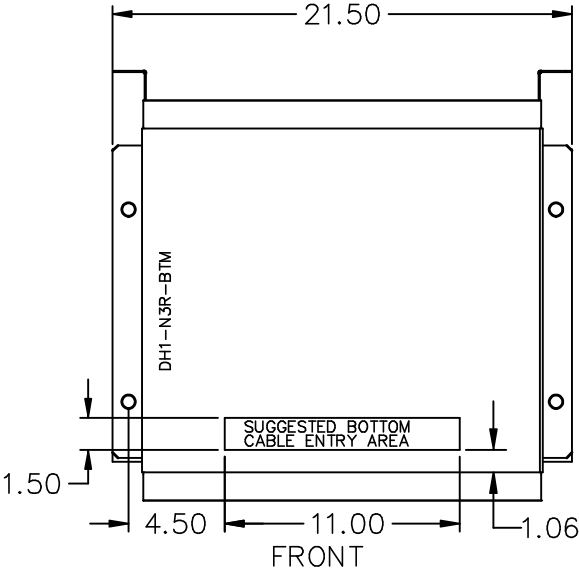
- HV1 TERMINATED AT TOP FRONT
- LV1 TERMINATED AT BOTTOM FRONT

Siemens Industry, Inc.

REVISION	DATE	BY	DATE	BY
		DRAWN	17/08/23	MA
		CHEK'D		
		VERIF'D		

CUSTOMER	
ORDER NO.	DWG. NO. 3F3Y015CLN3D16
SH 2 OF 3	

ENCLOSURE BOTTOM VIEW



NOTE:
 WHEN BOTTOM CABLE ENTRY IS OPTED, THE SPACE USED FOR CONDUITS IN THE FRONT OF THE TRANSFORMER SHOULD NOT OBSTRUCT MORE THAN 50% OF THE FRONT AIR INTAKE AREA DEFINED BETWEEN THE BOTTOM PLATE AND THE SUPPORTING LEGS.
 SEE MANUAL FOR ADDITIONAL INFORMATION

Siemens Industry, Inc.

REVISION	DATE	BY	DATE	BY
		DRAWN	17/08/23	MA
		CHEK'D		
		VERIF'D		

CUSTOMER		
ORDER NO.	DWG. NO.	
	3F3Y015CLN3D16	SH 3 OF 3