

# Catalog Numbers, Ratings and Features

Catalog No.	Max. Branch Rating	Main Bus, 1200A Max.	Meter Socket Cover	Meter Socket Type/ Continuous Rating	No. of Jaws	Bypass Type	Neutral Lug Wire Range	Equip Ground Lug Wire Range
WML12400RJFS	400A	3 Phase	Ringless	HQ-5S / 320A	5	Lever	(1)or(2) 3/0-500 CU (1)or(2) 4/0-500 AL	(2) #4-300 kcmil

- TYPE 3R OUTDOOR ENCLOSURE
- 208Y/120 VOLTS AC, 3 PHASE, 4 WIRE
- CLASS T FUSED SWITCH (FUSES NOT INCLUDED)
- 3 PHASE INPUT, 1 PHASE OUTPUT
- 100,000 AIC RATING MAX.
- MOUNTING RAILS AND ADJUSTABLE BRACKETS FOR SECURE MOUNTING

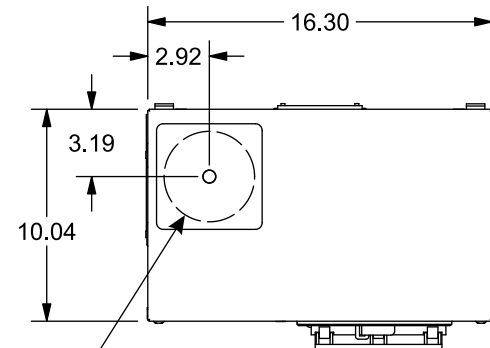
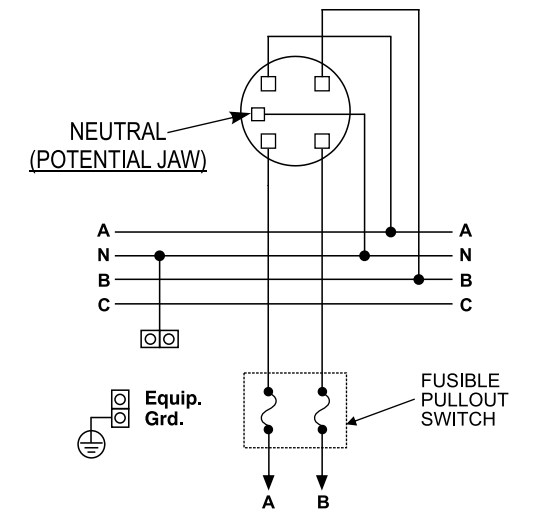
# Additional Modules and Accessories

Module Description	For Use with Siemens Series#
Main Breakers	(W)MC, WB, WEB, WXB
Switches	WMP, WMS, WS, WES
Tap/Terminal Boxes	WMTB, WTB, WET, WT_PU
Pull Boxes	WMMB
Meter Module	(W)MM, WxMM, (W)MT, (W)ML, (W)MK, (W)MLZ(F)
Meter Combinations	WC, WCL, WCT
Extension Box	WMEX, WSP, WSPD
Bussed Elbow	BE

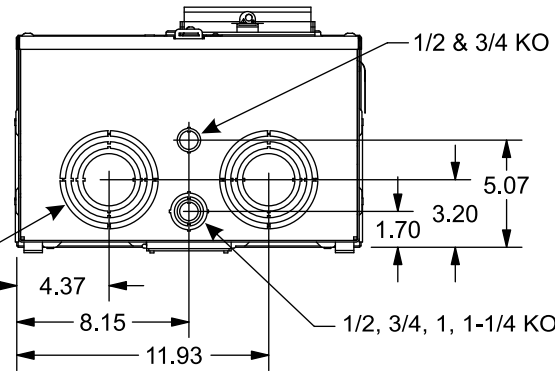
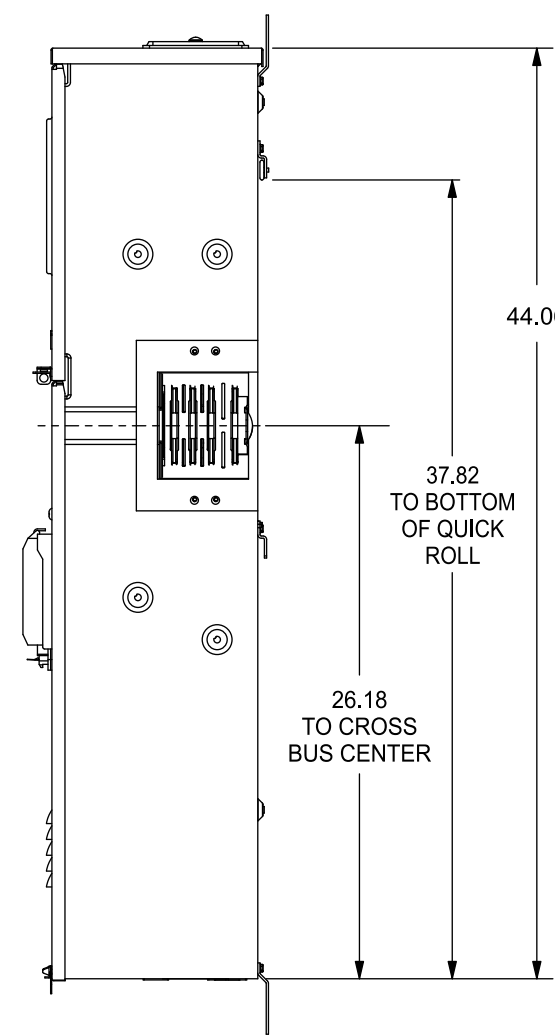
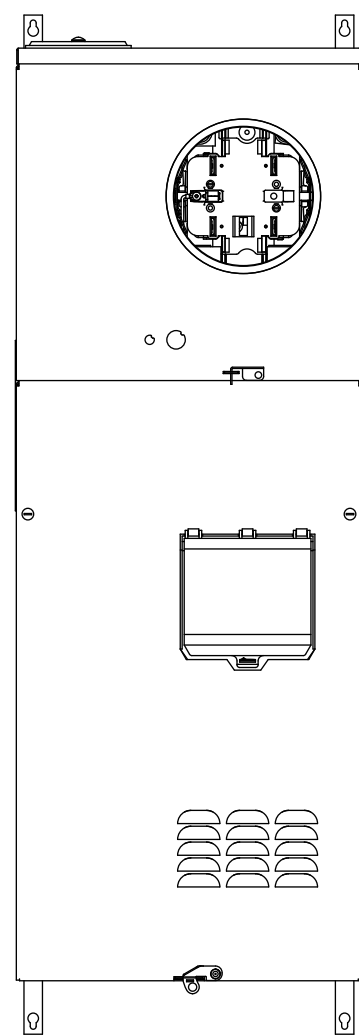
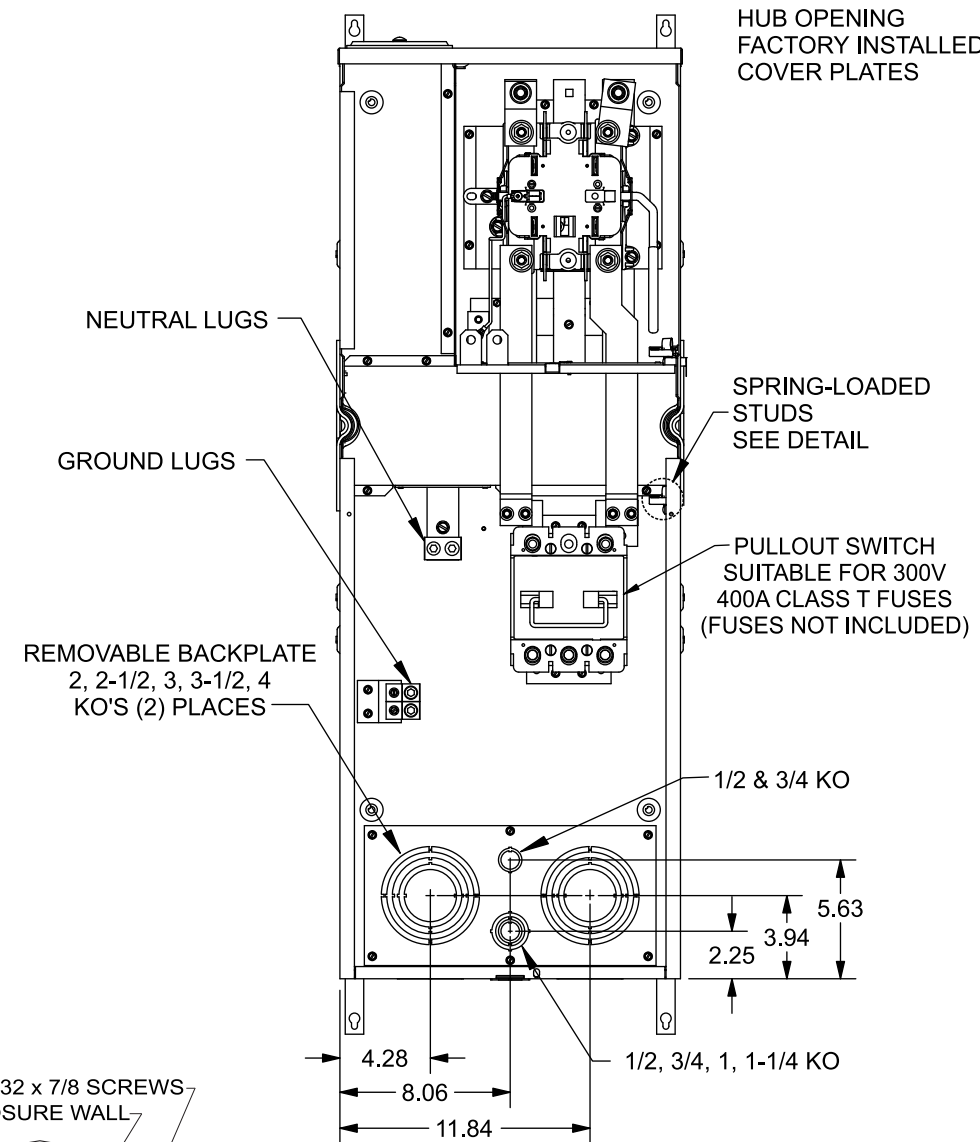
Siemens Accessory	Catalog No.
Hub Cover Plate	EC56933S
Type HD Hub 2"	EC56854
Type HD Hub 2-1/2"	EC56855
Type HD Hub 3"	EC56856
Type HD Hub 3-1/2"	EC56857
Type HD Hub 4"	EC56858

Connect Modules Using:	Catalog Number / Torque
QuickConnect	QC4 (3ph) 400-440 lb-in (35-36 ft.-lb.) Torque

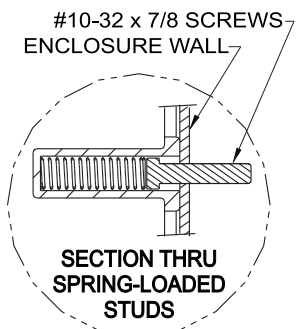
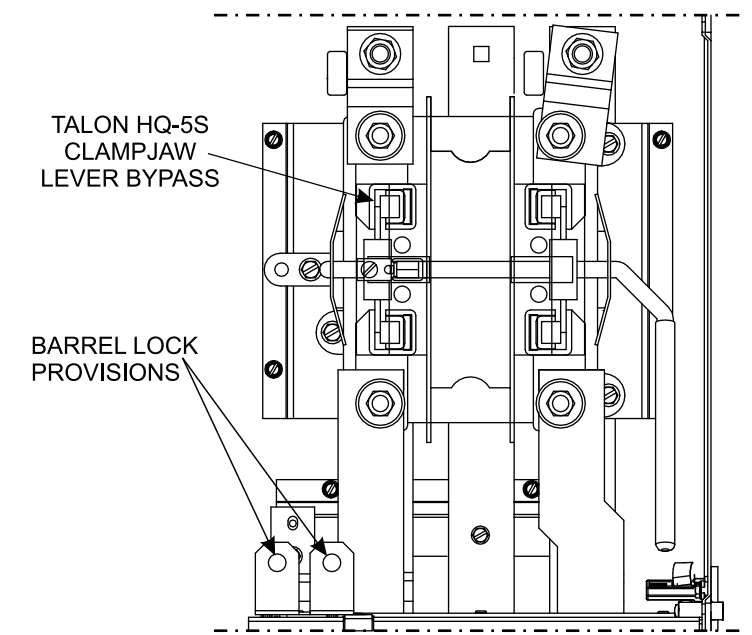
# Schematic



TYPE "HD" 4" MAX. HUB OPENING  
FACTORY INSTALLED COVER PLATES



# Enlarged Socket Detail



© 2016 Copyright Siemens Industry, Inc.

**SIEMENS**  
Siemens Industry, Inc.

## PowerMod Meter Stack

Description: **Lever Bypass, 1 Position 400A Tenant 3in-1-out Commercial Metering Module (100k)**

KAM 1/5/16 DO NOT SCALE DRAWING Dwg. No. **WML12400RJFS**