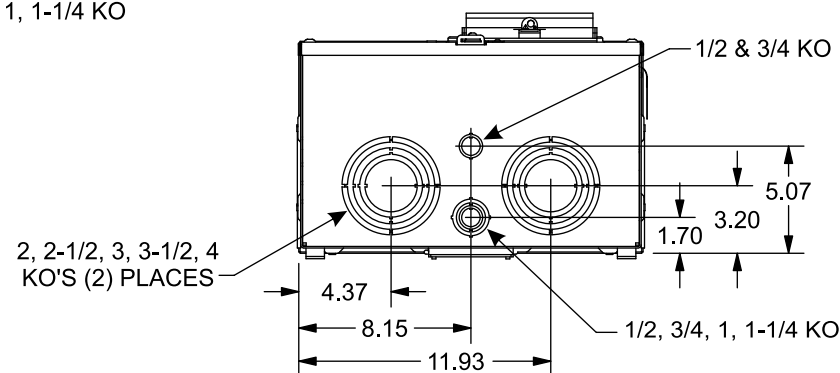
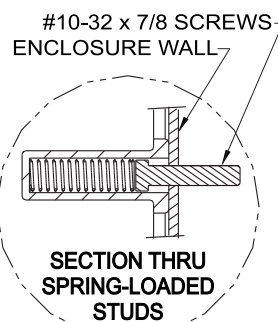
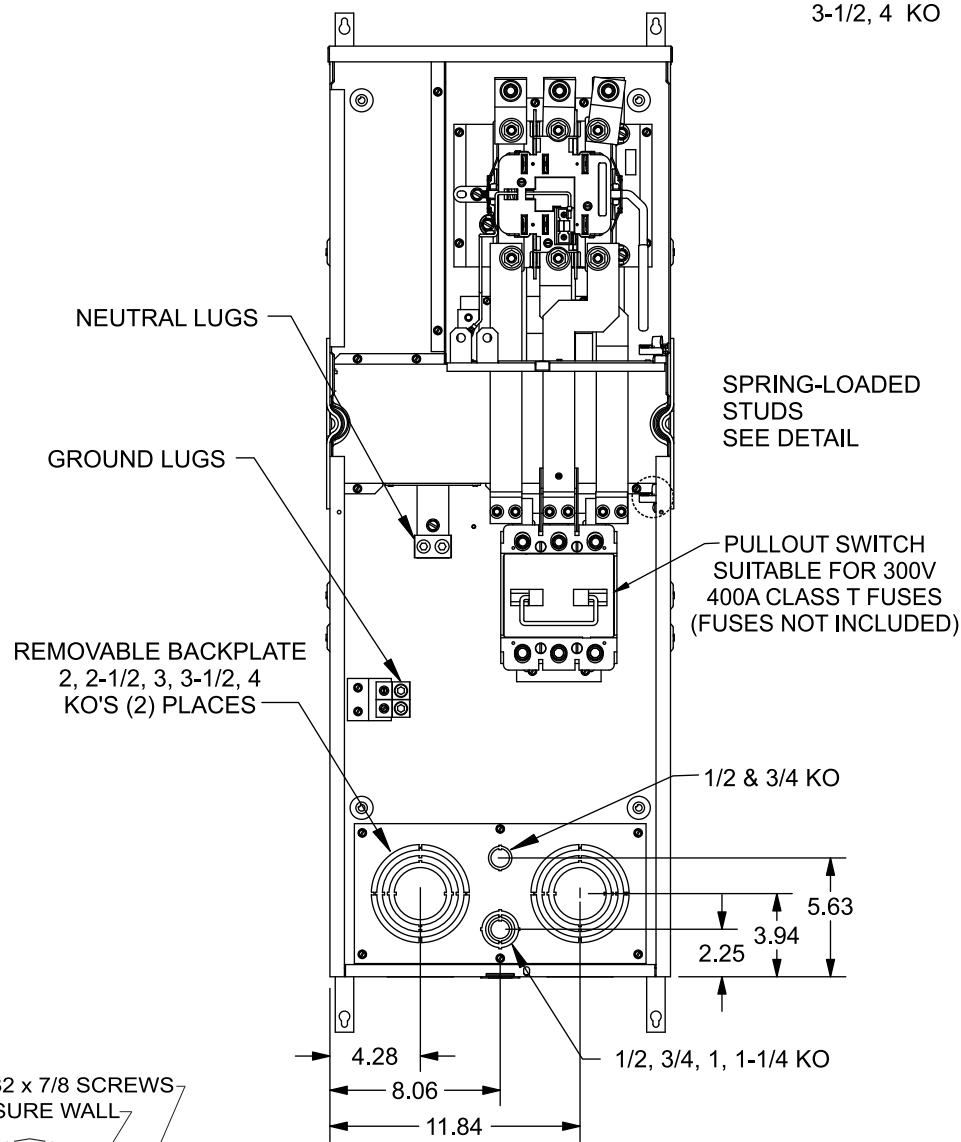
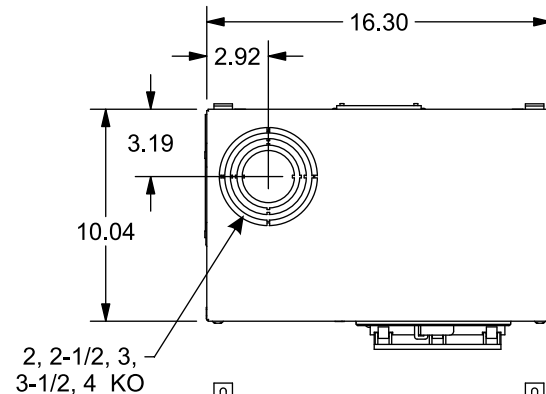


Catalog Numbers, Ratings and Features

Catalog No.	Max. Branch Rating	Main Bus, 1200A Max.	Meter Socket Cover	Meter Socket Type/ Continuous Rating	No. of Jaws	Bypass Type	Neutral Lug Wire Range	Equip Ground Lug Wire Range
ML13400RJFS	400A	3 Phase	Ringless	HQ-7S / 320A	7	Lever	(1)or(2) 3/0-500 CU (1)or(2) 4/0-500 AL	(2) #4-300 kcmil

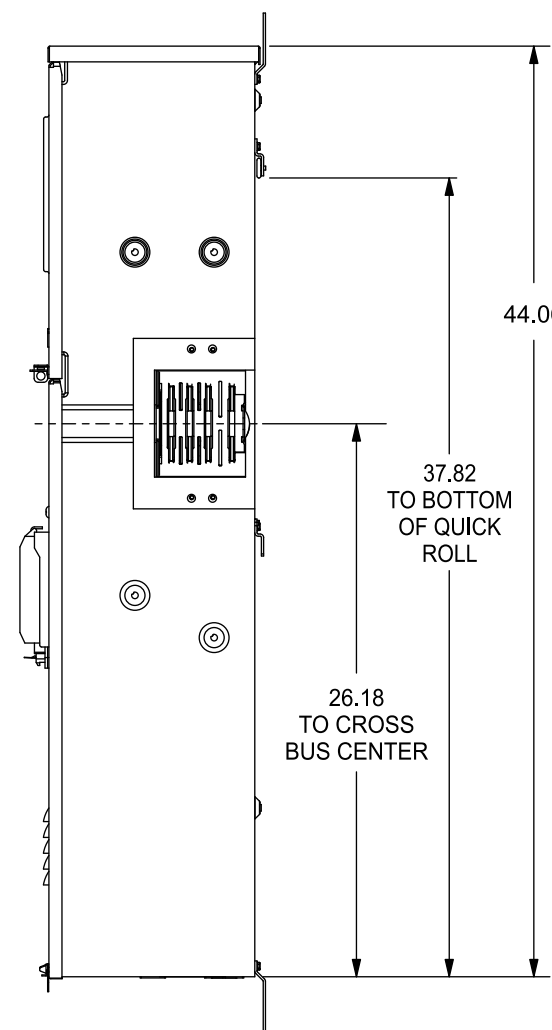
- TYPE 1 INDOOR ENCLOSURE
- 208Y/120 VOLTS AC, 3 PHASE, 4 WIRE
- 240/120 VOLTS AC, 3 PHASE, 4 WIRE DELTA
- CLASS T FUSED SWITCH (FUSES NOT INCLUDED)
- 3 PHASE INPUT, 3 PHASE OUTPUT
- 100,000 AIC RATING MAX.
- MOUNTING RAILS AND ADJUSTABLE BRACKETS FOR SECURE MOUNTING



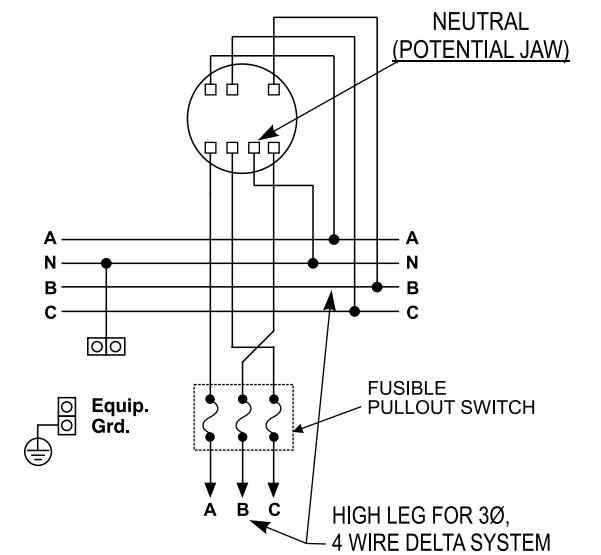
Additional Modules and Accessories

Module Description	For Use with Siemens Series#
Main Breakers	(W)MC, WB, WEB, WXB
Switches	WMP, WMS, WS, WES
Tap/Terminal Boxes	WMTB, WTB, WET, WT_PU
Pull Boxes	WMMB
Meter Module	(W)MM, WxMM, (W)MT, (W)ML, (W)MK, (W)MLZ(F)
Meter Combinations	WC, WCL, WCT
Extension Box	WMEX, WSP, WSPD
Bussed Elbow	BE

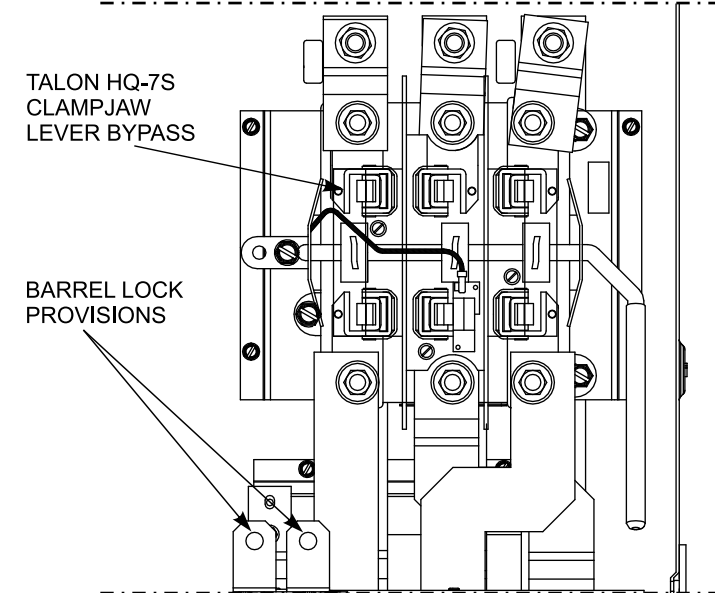
Connect Modules Using:	Catalog Number / Torque
QuickConnect	QC4 (3ph) 400-440 lb-in (35-36 ft.-lb.) Torque



Schematic



Enlarged Socket Detail



© 2016 Copyright Siemens Industry, Inc.

SIEMENS
Siemens Industry, Inc.

PowerMod Meter Stack

Description: **Lever Bypass, 1 Position 400A Tenant 3in-3out Indoor Commercial Metering Module (100k)**

KAM 1/5/16 DO NOT SCALE DRAWING Dwg. No. **ML13400RJFS**