

SIEMENS

CATALOG NO. 3F3Y500CLN3D16

SERIAL NO.

SERIES H

60 Hz 3 PHASE

500 kVA 170 °C

4.6 % IMP AT 170 °C

150 °C RISE

°C AVG. AMBIENT

220 °C TEMP CLASS

°C MAX. AMBIENT

PRIMARY (H1 H2 H3) 480V V 10 kV BIL

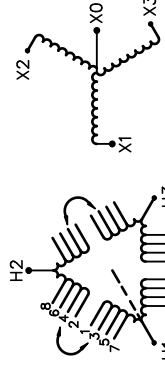
SECONDARY(X0 X1 X2 X3) 208Y/120V V 10 kV BIL

WINDING MATERIAL CU

ENCLOSURE TYPE 3R WEIGHT 3250 LBS

ENERGY EFFICIENCY EXCEEDS CSA DOE 10 CFR PART 431:2016

SPACINGS BETWEEN ANY VENTILATED ENCLOSURE PANEL AND ANY ADJACENT WALL SHALL BE A MINIMUM OF 12 INCHES



VOLTS

- 504
- 492
- 480
- 468
- 456
- 444
- 432

CONNECT

- 1-2
- 2-3
- 3-4
- 4-5
- 5-6
- 6-7
- 7-8



3F3Y500CLN3D16

TYPE K



DRY TYPE TRANSFORMER
7705 E112313
LR 3902
SEISMIC QUALIFICATIONS, FLOOR MOUNT ONLY
OSP-0136-10 IBC 2012/ASCE 7-10
SDS<=2.0g Z/h=1 Ip=1.5

Siemens Industry, Inc. Norcross, GA 30066

SUITABLE FOR INDOOR OR OUTDOOR LOCATIONS BEFORE HANDLING, INSTALLING AND OPERATING, SEE INSTRUCTION MANUAL

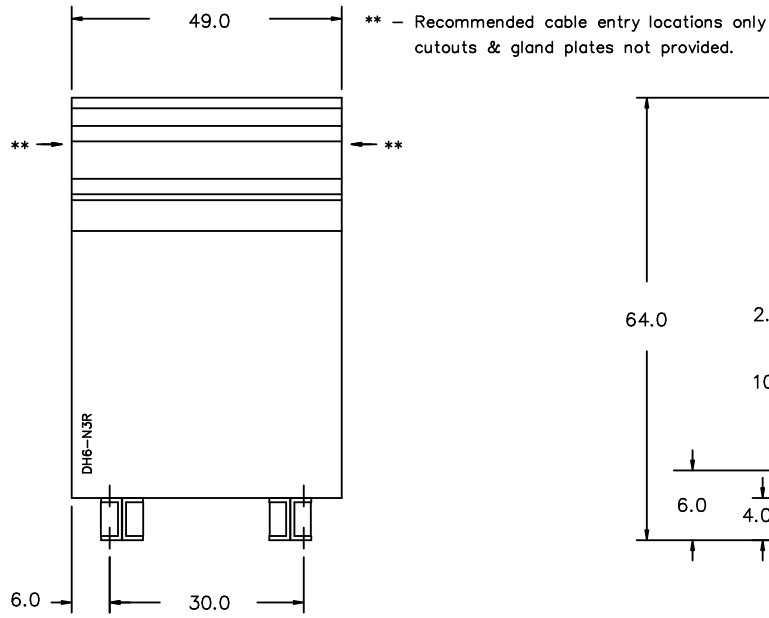
NEMA Class ANN Dry Type Transformer

Confidential - Property of Siemens Industry, Inc.

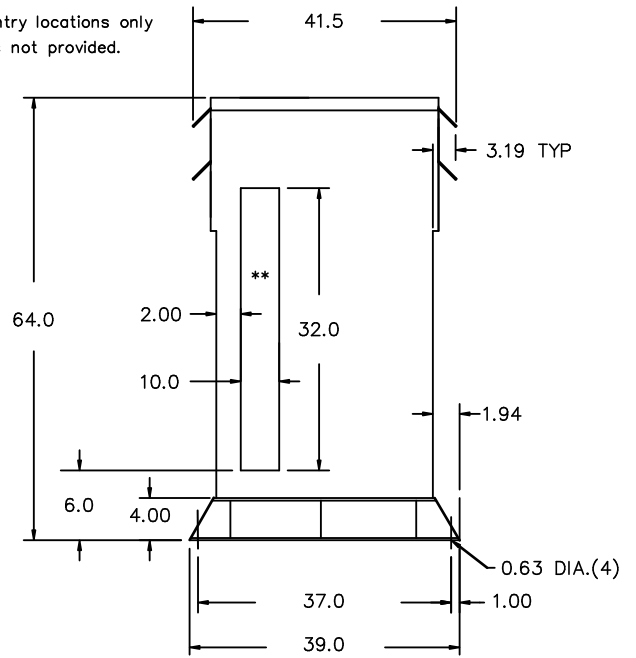
REVISION	DATE	BY	DATE	BY
		DRAWN	15/11/23	PP
		CHEK'D		
		VERIF'D		

CUSTOMER		
ORDER NO.	DWG. NO.	
	3F3Y500CLN3D16	SH 1 OF 2

FRONT VIEW



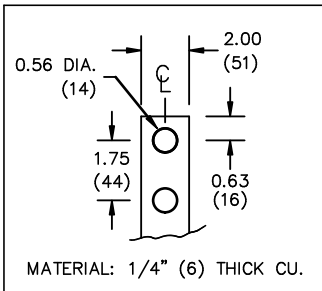
SIDE VIEW



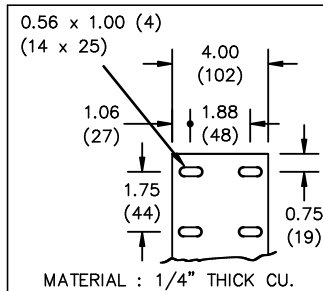
All Dimensions in inches

ENCLOSURE COLOR : ANSI 61 GREY - OUTDOOR

H.V.1. TERMINAL DETAIL



L.V.1. TERMINAL DETAIL



CUSTOMER NOTES:

- HV1 TERMINATED AT TOP FRONT
- LV1 TERMINATED AT BOTTOM FRONT

Confidential - Property of
Siemens Industry, Inc.

REVISION	DATE	BY	DATE	BY	CUSTOMER
			DRAWN 15/11/23	PP	
			CHEK'D		
			VERIF'D		
ORDER NO.		DWG. NO.		SH 2 OF 2	
		3F3Y500CLN3D16			