

SIEMENS

CATALOG NO. 3F3Y112K13CLN3D16

SERIAL NO. SERIES H

112.5 kVA 60 Hz 3 PHASE

4.3 % IMP AT 170 °C

150 °C RISE 30 °C AVG. AMBIENT

220 °C TEMP CLASS 40 °C MAX. AMBIENT

PRIMARY (H1 H2 H3) 480V V 10 kV BIL

SECONDARY(X0 X1 X2 X3) 208Y/120V V 10 kV BIL

WINDING MATERIAL CU

ENCLOSURE TYPE 3R WEIGHT 830 LBS

ENERGY EFFICIENCY EXCEEDS CSA DOE 10 CFR PART 431:2016
C802.2-2012

SPACINGS BETWEEN ANY VENTILATED ENCLOSURE PANEL AND
ANY ADJACENT WALL SHALL BE A MINIMUM OF 5 INCHES
EXCEPT WHEN WALL MOUNTED USING APPROVED WALL MOUNTING KIT
ELECTROSTATIC SHIELD

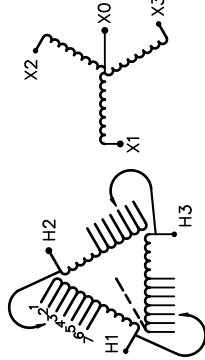
SOUND LEVEL 3dB BELOW NEMA ST20 REQUIREMENTS

SUITABLE FOR NONSINUSOIDAL CURRENT LOAD WITH K-FACTOR NOT TO EXCEED K-13
SUITABLE FOR INDOOR OR OUTDOOR LOCATIONS
BEFORE HANDLING, INSTALLING AND OPERATING, SEE INSTRUCTION MANUAL

NEMA Class ANN Dry Type Transformer

Siemens Industry, Inc. Norcross, GA

68000876



| VOLTS | CONNECT |
|-------|---------|
| 504 | 1 |
| 492 | 2 |
| 480 | 3 |
| 468 | 4 |
| 456 | 5 |
| 444 | 6 |
| 432 | 7 |



3F3Y112K13CLN3D16



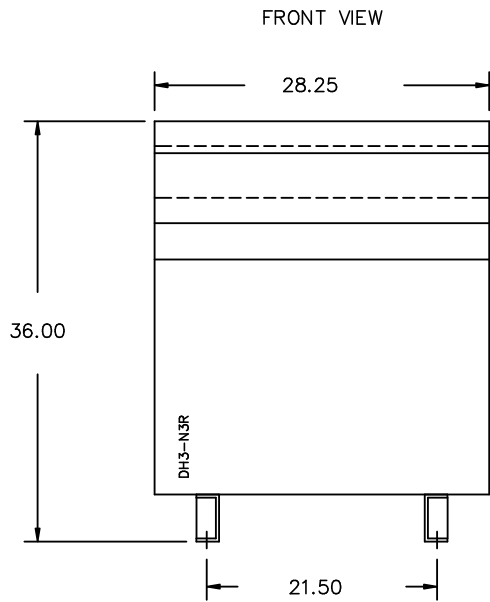
TYPE K
DRY TYPE TRANSFORMER
7705 E112313
LR 3902

SEISMIC QUALIFICATIONS, FLOOR MOUNT ONLY
OSP-0136-10 IBC 2012/ASCE 7-10
SDS<=2.0g Z/h=1 Ip=1.5

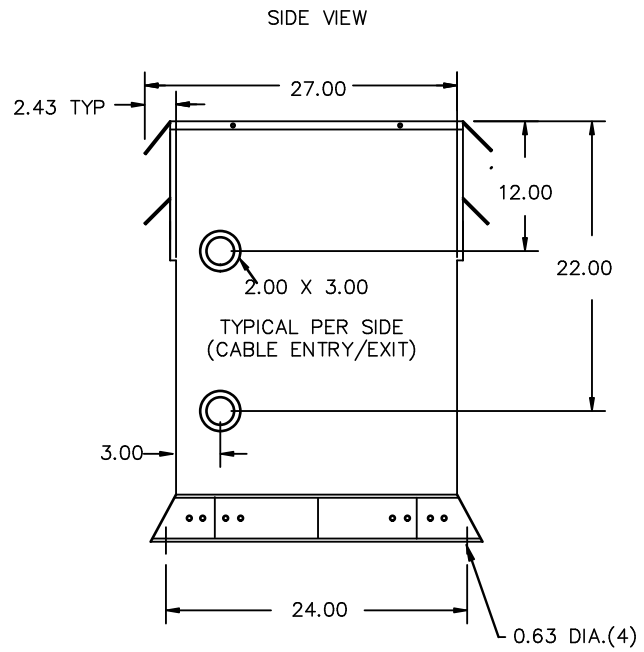
| REVISION | DATE | BY | DATE | BY |
|----------|------|---------|----------|----|
| | | DRAWN | 15/11/17 | JW |
| | | CHEK'D | | |
| | | VERIF'D | | |

Confidential - Property of
Siemens Industry, Inc.

| | |
|-----------|-----------------------------|
| CUSTOMER | |
| ORDER NO. | DWG. NO. |
| | 3F3Y112K13CLN3D16 SH 1 OF 2 |



All Dimensions in inches

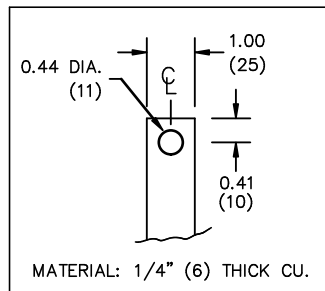


ENCLOSURE COLOR :ANSI 61 GREY – OUTDOOR

H.V.1. TERMINAL DETAIL

L.V.1. TERMINAL DETAIL

MECHANICAL TYPE LUGS INCLUDED
SUITABLE FOR 250MCM-6 CU/AL
CONDUCTORS
1 CONDUCTOR PER PHASE



CUSTOMER NOTES:

- HV1 TERMINATED AT TOP FRONT
- LV1 TERMINATED AT BOTTOM FRONT

Confidential – Property of
Siemens Industry, Inc.

| REVISION | DATE | BY | DATE | BY |
|----------|------|----|----------------|----|
| | | | DRAWN 15/11/17 | JW |
| | | | CHEK'D | |
| | | | VERIF'D | |

| | | |
|-----------|-------------------------------|-----------|
| CUSTOMER | | |
| ORDER NO. | DWG. NO. 3F3Y112K13CLN3D16 | SH 2 OF 2 |