

REVISION	DATE	BY	DATE	BY
		DRAWN	15/11/17	JW
		CHEK'D		
		VERIF'D		

Confidential - Property of <b>Siemens Industry, Inc.</b>		
CUSTOMER	ORDER NO.	DWG. NO.
		3F3Y075FESCD16
		SH 1 OF 2

# SIEMENS

CATALOG NO. 3F3Y075FESCD16  
 SERIAL NO. SERIES H  
 75 kVA 60 Hz 3 PHASE  
 2.3 % IMP AT 135 °C

115 °C RISE 30 °C AVG. AMBIENT  
 220 °C TEMP CLASS 40 °C MAX. AMBIENT

PRIMARY ( H1 H2 H3 ) 480V V 10 kV BIL  
 SECONDARY( X0 X1 X2 X3 ) 208Y/120V V 10 kV BIL

WINDING MATERIAL CU  
 ENCLOSURE TYPE 3R WEIGHT 775 LBS  
 ENERGY EFFICIENCY EXCEEDS CSA DOE 10 CFR PART 431:2016  
 C802.2-2012

SPACINGS BETWEEN ANY VENTILATED ENCLOSURE PANEL AND  
 ANY ADJACENT WALL SHALL BE A MINIMUM OF 5 INCHES  
 EXCEPT WHEN WALL MOUNTED USING APPROVED WALL MOUNTING KIT  
 ELECTROSTATIC SHIELD

SUITABLE FOR INDOOR OR OUTDOOR LOCATIONS  
 BEFORE HANDLING, INSTALLING AND OPERATING, SEE INSTRUCTION MANUAL

NEMA Class **ANN** Dry Type Transformer  
 Siemens Industry, Inc. Norcross, GA ds00066

VOLTS  
504  
492  
480  
468  
456  
444  
432

CONNECT

1  
2  
3  
4  
5  
6  
7

**LISTED**

DRY TYPE TRANSFORMER  
7705 E112313

TYPE K

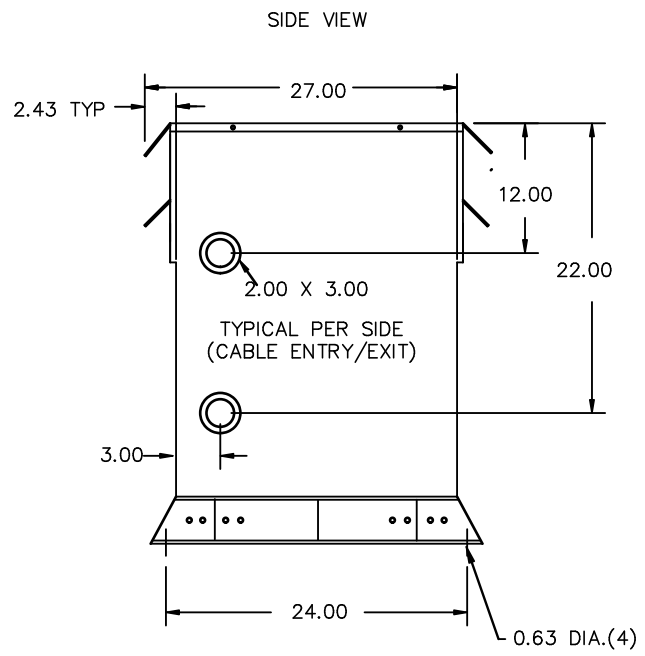
LR 3902

SEISMIC QUALIFICATIONS, FLOOR MOUNT ONLY  
 OSP-0136-10 IBC 2012/ASCE 7-10  
 SDS<=2.0g Z/h=1 Ip=1.5





All Dimensions in inches

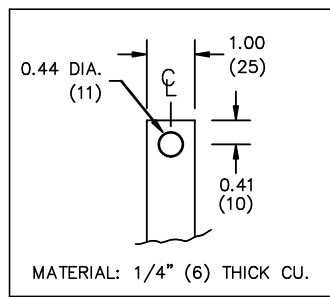


ENCLOSURE COLOR :ANSI 61 GREY – OUTDOOR

H.V.1. TERMINAL DETAIL

L.V.1. TERMINAL DETAIL

MECHANICAL TYPE LUGS INCLUDED  
SUITABLE FOR 250MCM-6 CU/AL  
CONDUCTORS  
1 CONDUCTOR PER PHASE



- CUSTOMER NOTES:
- HV1 TERMINATED AT TOP FRONT
  - LV1 TERMINATED AT BOTTOM FRONT

Confidential – Property of  
**Siemens Industry, Inc.**

REVISION	DATE	BY	DATE	BY
			DRAWN 15/11/17	JW
			CHEK'D	
			VERIF'D	

CUSTOMER		
ORDER NO.	DWG. NO.	
	3F3Y075FESCD16	SH 2 OF 2

0.0 jwen 2015/11/17 16:27