

# SIEMENS

CATALOG NO. 3F3Y045K13FCLN3D16

SERIAL NO. SERIES H

45 kVA 60 Hz 3 PHASE

2.0 % IMP AT 135 °C

115 °C RISE 30 °C AVG. AMBIENT

220 °C TEMP CLASS 40 °C MAX. AMBIENT

PRIMARY ( H1 H2 H3 ) 480V V 10 kV BIL

SECONDARY( X0 X1 X2 X3 ) 208Y/120V V 10 kV BIL

WINDING MATERIAL CU

ENCLOSURE TYPE 3R WEIGHT 615 LBS

ENERGY EFFICIENCY EXCEEDS CSA DOE 10 CFR PART 431:2016 C802.2-2012

SPACINGS BETWEEN ANY VENTILATED ENCLOSURE PANEL AND ANY ADJACENT WALL SHALL BE A MINIMUM OF 5 INCHES EXCEPT WHEN WALL MOUNTED USING APPROVED WALL MOUNTING KIT ELECTROSTATIC SHIELD

SOUND LEVEL 3dB BELOW NEMA ST20 REQUIREMENTS

SUITABLE FOR NONSINUSOIDAL CURRENT LOAD WITH K-FACTOR NOT TO EXCEED K-13 SUITABLE FOR INDOOR OR OUTDOOR LOCATIONS BEFORE HANDLING, INSTALLING AND OPERATING, SEE INSTRUCTION MANUAL

NEMA Class ANN Dry Type Transformer

Siemens Industry, Inc. Norcross, GA

6800087e



VOLTS	CONNECT
504	1
492	2
480	3
468	4
456	5
444	6
432	7



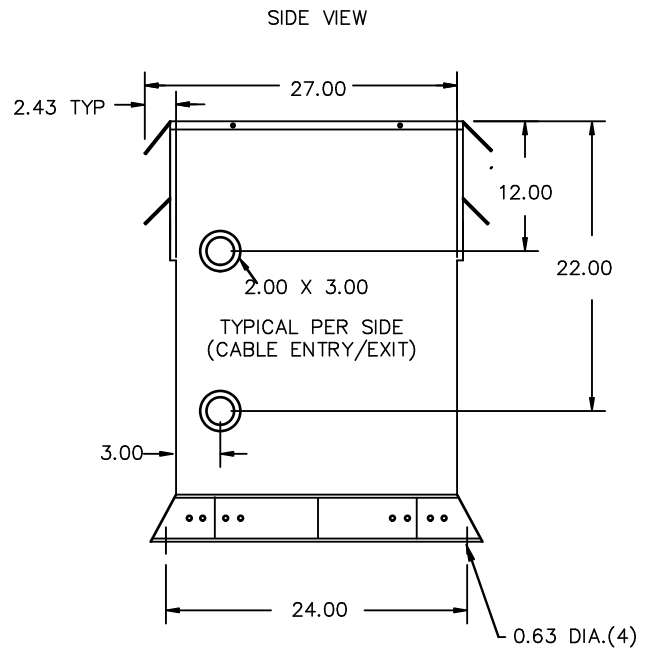
SEISMIC QUALIFICATIONS, FLOOR MOUNT ONLY  
OSP-0136-10 IBC 2012/ASCE 7-10  
SDS<=2.0g Z/h=1 ip=1.5

REVISION	DATE	BY	DATE	BY
		DRAWN	15/11/17	JW
		CHEK'D		
		VERIF'D		

Confidential - Property of Siemens Industry, Inc.	
CUSTOMER	
ORDER NO.	DWG. NO. 3F3Y045K13FCLN3D16 SH 1 OF 2



All Dimensions in inches



ENCLOSURE COLOR :ANSI 61 GREY – OUTDOOR

H.V.1. TERMINAL DETAIL

L.V.1. TERMINAL DETAIL

MECHANICAL TYPE LUGS INCLUDED  
SUITABLE FOR #2/0-14 CU/AL  
CONDUCTORS  
1 CONDUCTOR PER PHASE

MECHANICAL TYPE LUGS INCLUDED  
SUITABLE FOR 600MCM-2 CU/AL  
CONDUCTORS  
1 CONDUCTOR PER PHASE

CUSTOMER NOTES:

- HV1 TERMINATED AT TOP FRONT
- LV1 TERMINATED AT BOTTOM FRONT

Confidential – Property of  
Siemens Industry, Inc.

REVISION	DATE	BY	DATE	BY
			DRAWN 15/11/17	JW
			CHEK'D	
			VERIF'D	

CUSTOMER

ORDER NO.

DWG. NO.

3F3Y045K13FCLN3D16 SH 2 OF 2