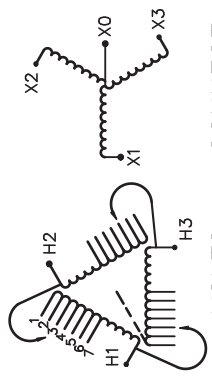


REVISION	DATE	BY	DATE	BY
			15/11/23	PP
1	16/11/18	RM		

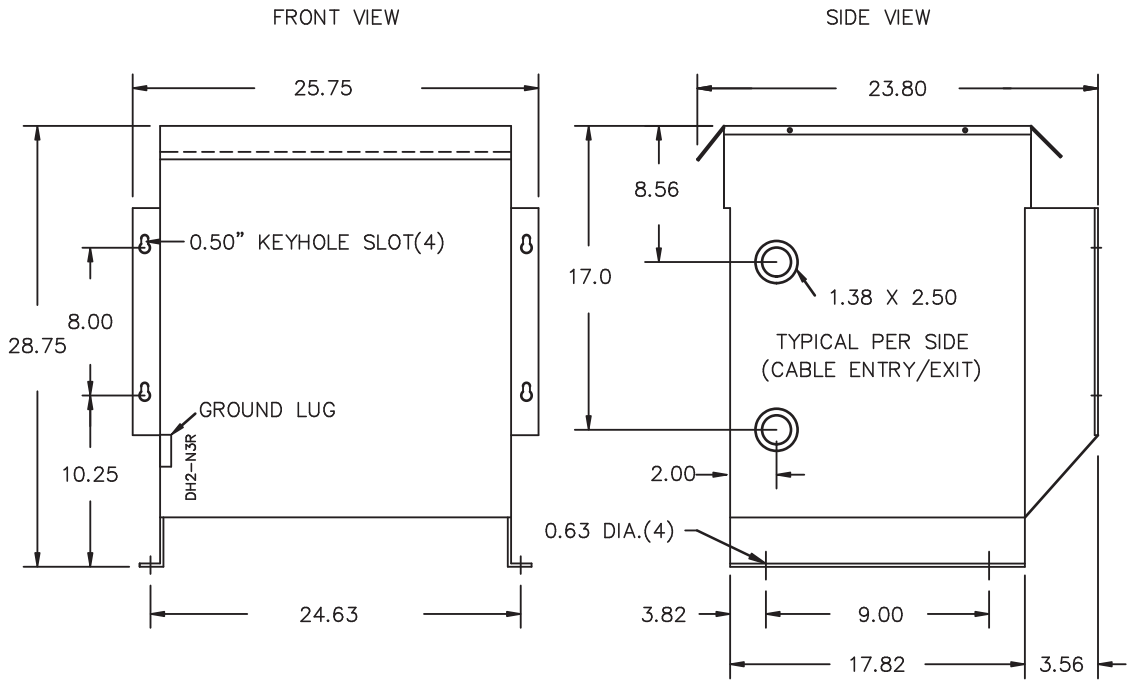
Confidential - Property of
Siemens Industry, Inc.

CUSTOMER		
ORDER NO.	DWG. NO.	1
	3F3Y030BESCD16	SH 1 OF 2

SIEMENS

CATALOG NO. 3F3Y030BESCD16 SERIAL NO. SERIES H 30 kVA 60 Hz 3 PHASE 2.6 % IMP AT 100 °C		 <p>VOLTS CONNECT</p> <p>504 492 480 468 456 444 432</p> <p>1 2 3 4 5 6 7</p>
80 °C RISE 30 °C AVG. AMBIENT 220 °C TEMP CLASS 40 °C MAX. AMBIENT PRIMARY (H1 H2 H3) 480 V 10 kV BIL SECONDARY(X0 X1 X2 X3) 208Y/120 V 10 kV BIL WINDING MATERIAL CU ENCLOSURE TYPE 3R WEIGHT 385 LBS ENERGY EFFICIENCY EXCEEDS CSA DOE 10 CFR PART 431:2016 C802.2-2012		
SPACINGS BETWEEN ANY VENTILATED ENCLOSURE PANEL AND ANY ADJACENT WALL SHALL BE A MINIMUM OF 3 INCHES ELECTROSTATIC SHIELD SUITABLE FOR INDOOR OR OUTDOOR LOCATIONS BEFORE HANDLING, INSTALLING AND OPERATING; SEE INSTRUCTION MANUAL NEMA Class ANN Dry Type Transformer Siemens Industry, Inc. Norcross, GA <small>dsu0086e</small>		





All Dimensions in inches

ENCLOSURE COLOR : ANSI 61 GREY – OUTDOOR

HV TERMINAL DETAIL

LV TERMINAL DETAIL

MECHANICAL TYPE LUGS INCLUDED
SUITABLE FOR #14-2 CU/AL
CONDUCTORS
1 CONDUCTOR PER PHASE

MECHANICAL TYPE LUGS INCLUDED
SUITABLE FOR #2/0-14 CU/AL
CONDUCTORS
1 CONDUCTOR PER PHASE

CUSTOMER NOTES:

- HV TERMINATED AT TOP FRONT
- LV TERMINATED AT BOTTOM FRONT

Confidential – Property of
Siemens Industry, Inc.

REVISION	DATE	BY	DATE	BY
			15/11/23	PP
1	16/11/18	RM		

CUSTOMER		
ORDER NO.	DWG. NO.	1
	3F3Y030BESCD16	SH 2 OF 2

1.0 rmova 2016/11/18 15:05