

Catalog Numbers, Features and Ratings

WET11200BU	1-PHASE
WET31200BU	3-PHASE

- MODULE RATING: 1200 AMPS MAX, 240V AC MAX.
- 100,000 AIC RATING MAX.
- ADDED MOUNTING RAILS AND BRACKETS FOR SECURE MOUNTING
- FOR UNDERGROUND SERVICE ONLY
- EUSERC COMPLIANT CONSTRUCTION
- EUSERC DRAWING NO.S: 343 & 347.

Replacement Parts, Accessories, and Additional Modules

FOR USE WITH:		
Module Description	Siemens Series No.	Murray Series No.
Main Breakers	(W)MC, WB, WEB	DB W
Switches	WMP, WMS, WS, WES	DPT W, DT W
Tap/Terminal Boxes	WMTB, WTB, WET	DTB W
Pull Boxes	WMMB, WPB, WAPB	DPB W
Meter Modules	WMM, WxMM, WMT, WML, WMK	DG.W, DC.W, DL.W
Extension Box	WMEX	DS
Bussed Elbow	BE	DL

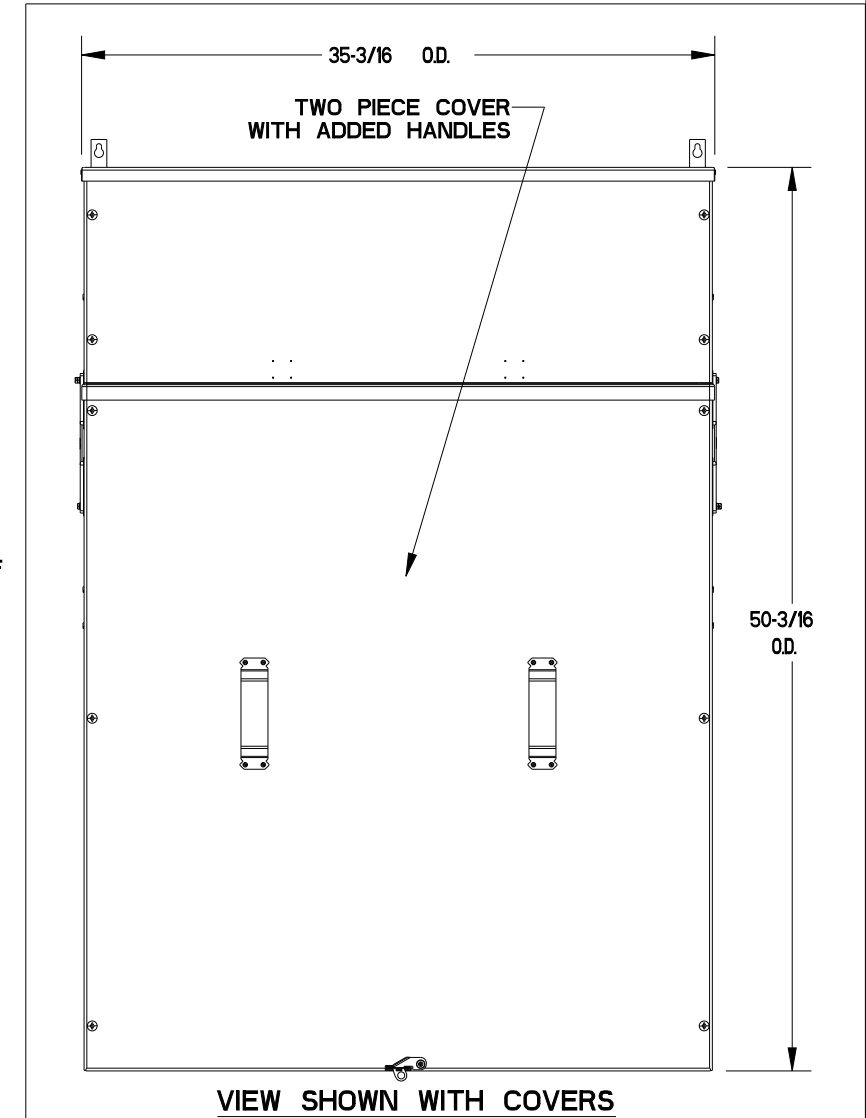
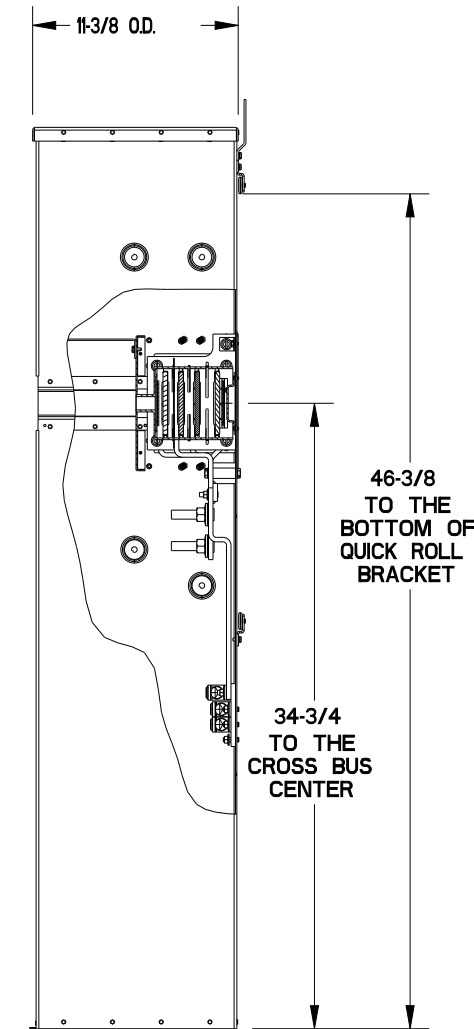
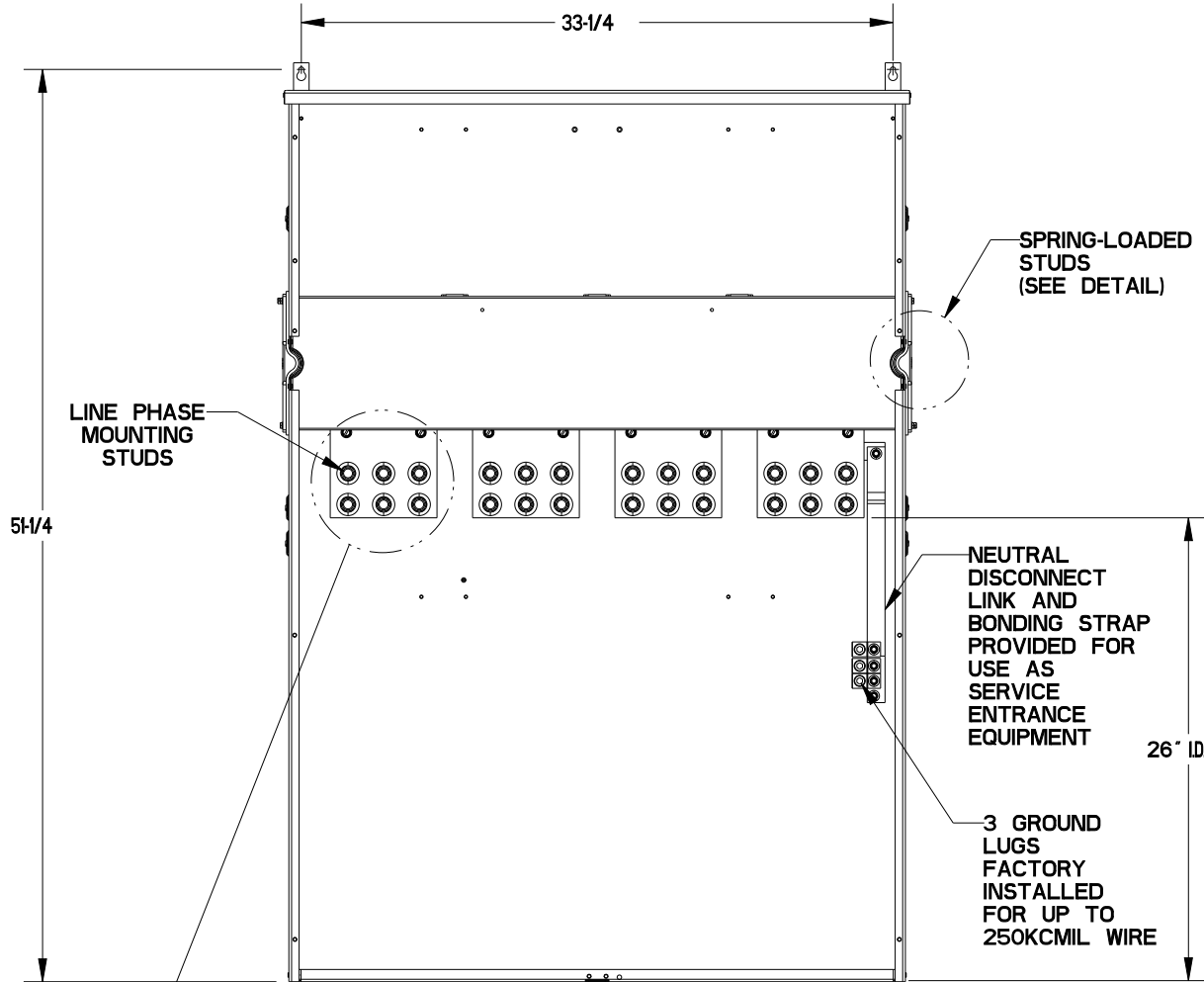
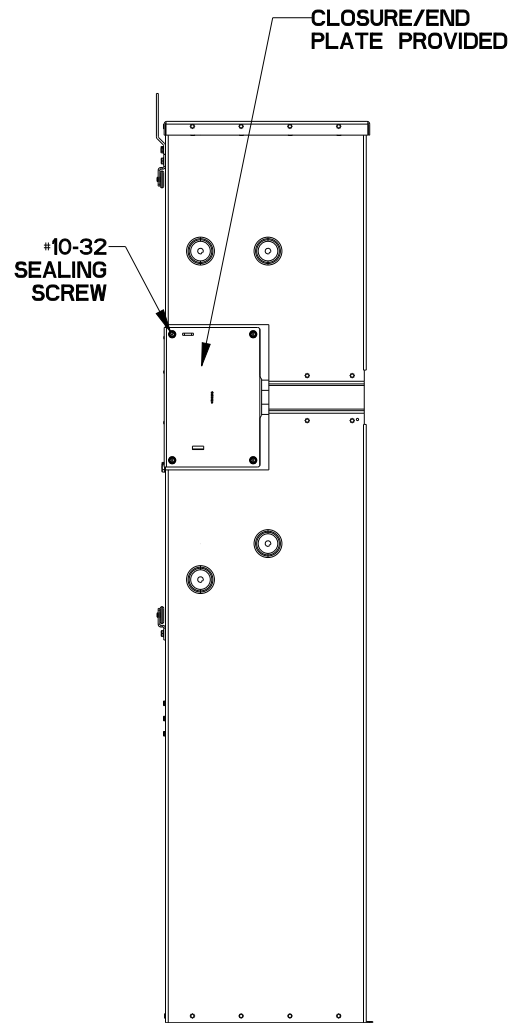
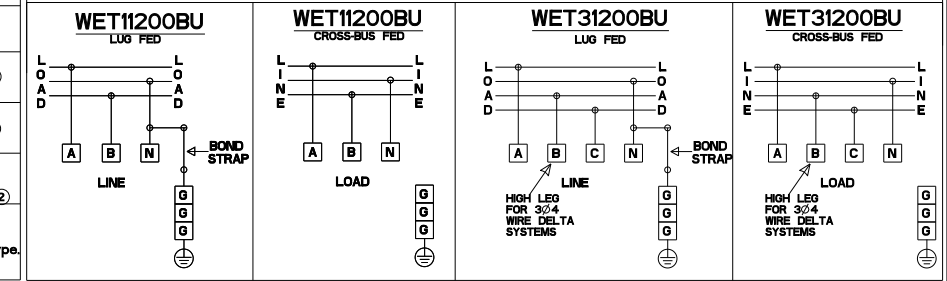
  

Siemens Accessories	Catalog Number	Req'd Torque
Single Bolt Joint (1ph)	QC1 or SBJ1	400-480 LB-IN [35-40 FT-LBS]
Single Bolt Joint (3ph)	QC4 or SBJ4	
GND Bar Kit	ECLX069M	N/A
Hub Cover Plate	ECHV000	N/A

Lugs for Phase and Neutral Connections (not supplied)						
NEMA Lug ①	MFG	Wire Range	Type	No. Wires per phase	Torque (lb-in.)	
LK13750N2E	SIEMENS	500-750 KCMIL	MECHANICAL	3	500②	
LK33750N2E						
LK14500N2E	SIEMENS	1/0-500 KCMIL	MECHANICAL	4	500②	
LK34500N2E						
2ACL-500	ILSCO	500 KCMIL	COMPRESSION	4	N/A	
2ACL-750	ILSCO	750 KCMIL	COMPRESSION	3	N/A②	

① Order one mechanical lug kit for mains and neutral. Contact Lug manufacturer for compression lug quantities supplied for each kit.  
 ② Kit contains more than one lug type. Reference kit instruction sheet for the actual torque value for each lug type.  
 ③ See lug manufacturer's instruction sheet supplied with the connector for tool, die and number of crimps.

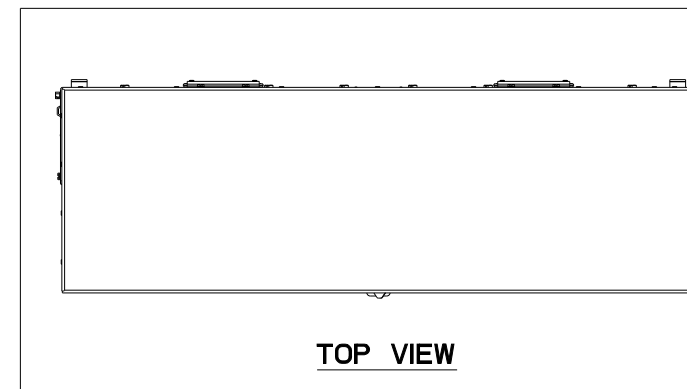
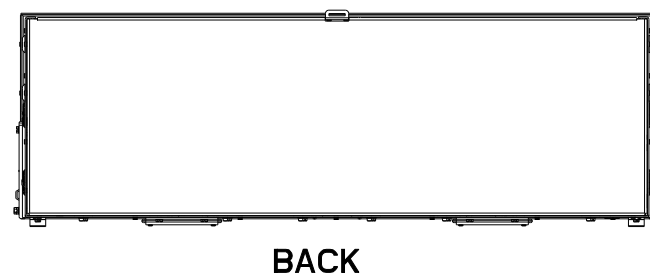
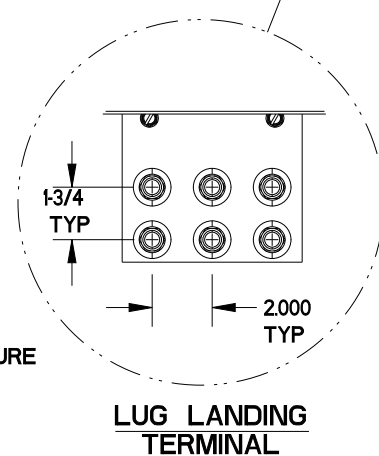
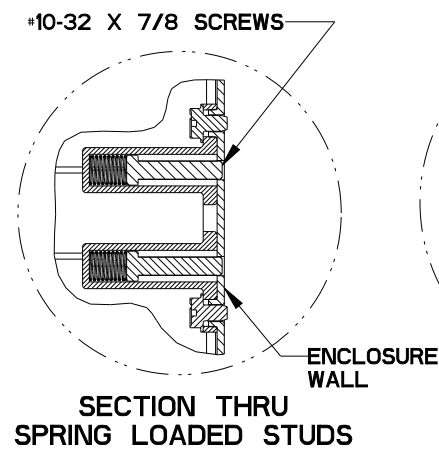
1200A Euserc Tap Box Schematics



WET31200BU (3-PHASE) SHOWN VIEWS SHOWN WITHOUT COVERS

PARTIAL SECTION

VIEW SHOWN WITH COVERS



Siemens Industry, Inc.

PowerMod™ Tap Boxes

CATALOG NO.S:

WET11200BU and WET31200BU  
EUSERC Service Entrance Tap Boxes

SIZE B

DWG NO.:

1200A\_E\_SE\_TAP-BXS