

SIEMENS

CATALOG NO. 3F3Y225CLN3D16

SERIAL NO.

SERIES H

225 kVA 60 Hz 3 PHASE

3.7 % IMP AT 170 °C

150 °C RISE 30 °C AVG. AMBIENT

220 °C TEMP CLASS 40 °C MAX. AMBIENT

PRIMARY (H1 H2 H3) 480V V 10 kV BIL

SECONDARY(X0 X1 X2 X3) 208Y/120V V 10 kV BIL

WINDING MATERIAL CU

ENCLOSURE TYPE 3R WEIGHT 1400 LBS

ENERGY EFFICIENCY EXCEEDS CSA DOE 10 CFR PART 431:2016
C802.2-2012

SPACINGS BETWEEN ANY VENTILATED ENCLOSURE PANEL AND
ANY ADJACENT WALL SHALL BE A MINIMUM OF 5 INCHES
EXCEPT WHEN WALL MOUNTED USING APPROVED WALL MOUNTING KIT

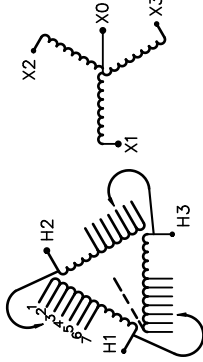
SOUND LEVEL 3dB BELOW NEMA ST20 REQUIREMENTS

SUITABLE FOR INDOOR OR OUTDOOR LOCATIONS
BEFORE HANDLING, INSTALLING AND OPERATING, SEE INSTRUCTION MANUAL

NEMA Class ANN Dry Type Transformer

Siemens Industry, Inc. Norcross, GA

des00066



VOLTS	CONNECT
504	1
492	2
480	3
468	4
456	5
444	6
432	7

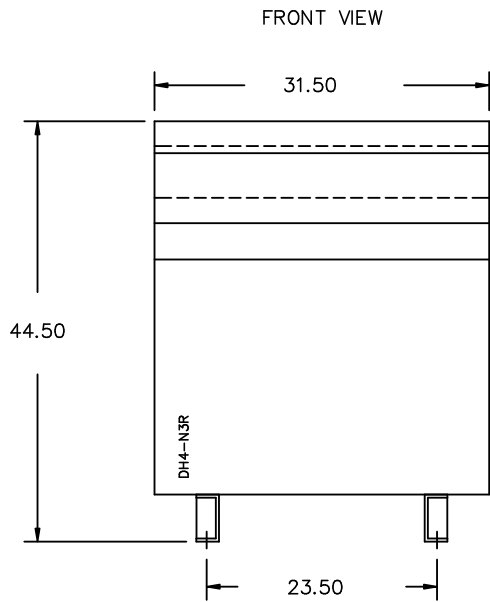


TYPE K
DRY TYPE TRANSFORMER
7705 E112313
LR 3902

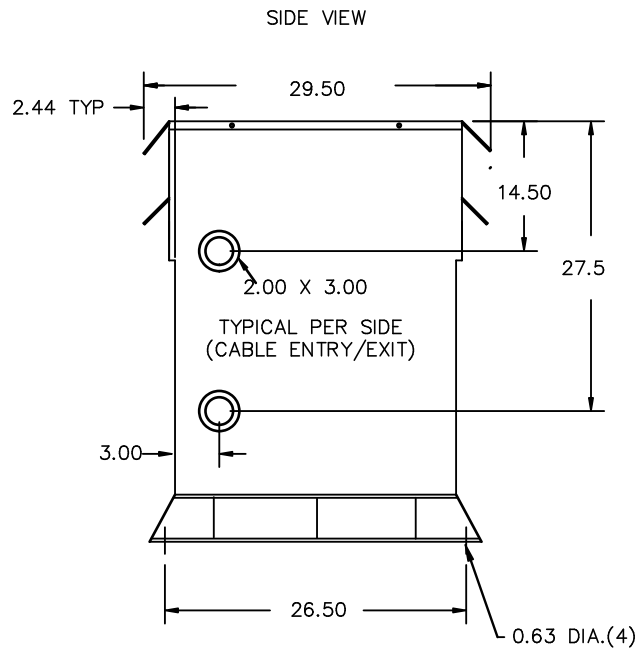
SEISMIC QUALIFICATIONS, FLOOR MOUNT ONLY
OSP-0136-10 IBC 2012/ASCE 7-10
SDS<=2.0g Z/h=1 ip=1.5

REVISION	DATE	BY	DATE	BY
		DRAWN	15/11/09	JW
		CHEK'D		
		VERIF'D		

Confidential - Property of Siemens Industry, Inc.		
CUSTOMER	ORDER NO.	DWG. NO.
		3F3Y225CLN3D16
		SH 1 OF 2



All Dimensions in inches

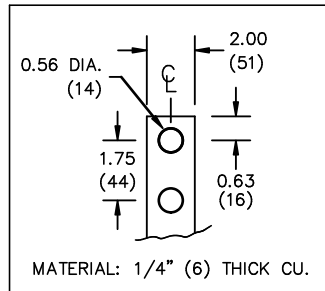


ENCLOSURE COLOR :ANSI 61 GREY – OUTDOOR

H.V.1. TERMINAL DETAIL

L.V.1. TERMINAL DETAIL

MECHANICAL TYPE LUGS INCLUDED
SUITABLE FOR 350MCM-6 CU/AL
CONDUCTORS
2 CONDUCTORS PER PHASE



CUSTOMER NOTES:

- HV1 TERMINATED AT TOP FRONT
- LV1 TERMINATED AT BOTTOM FRONT

Confidential – Property of
Siemens Industry, Inc.

REVISION	DATE	BY	DATE	BY	CUSTOMER		
			DRAWN 15/11/09	JW			
			CHEK'D				
			VERIF'D				
					ORDER NO.	DWG. NO.	
						3F3Y225CLN3D16	SH 2 OF 2