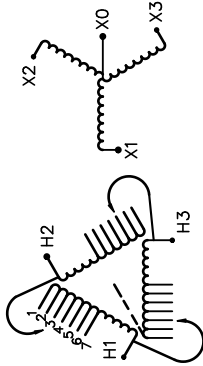


SIEMENS

CATALOG NO. 3F3Y112FCD16
 SERIAL NO. SERIES H
 112.5 kVA 60 Hz 3 PHASE
 2.8 % IMP AT 135 °C

115 °C RISE 30 °C AVG. AMBIENT
 220 °C TEMP CLASS 40 °C MAX. AMBIENT
 PRIMARY (H1 H2 H3) 480V V 10 kV BIL
 SECONDARY(X0 X1 X2 X3) 208Y/120V V 10 kV BIL
 WINDING MATERIAL CU
 ENCLOSURE TYPE 3R WEIGHT 1000 LBS
 ENERGY EFFICIENCY EXCEEDS CSA DOE 10 CFR PART 431:2016
 C802.2-2012



VOLTS CONNECT
 504 1
 492 2
 480 3
 468 4
 456 5
 444 6
 432 7

TYPE K
 DRY TYPE TRANSFORMER
 7705 E112313
 LISTED
 UL
 SEISMIC QUALIFICATIONS, FLOOR MOUNT ONLY
 OSP-0136-10 IBC 2012/ASCE 7-10
 SDS<=2.0g Z/h=1 Ip=1.5

SUITABLE FOR INDOOR OR OUTDOOR LOCATIONS
 BEFORE HANDLING, INSTALLING AND OPERATING, SEE INSTRUCTION MANUAL
 NEMA Class ANN Dry Type Transformer

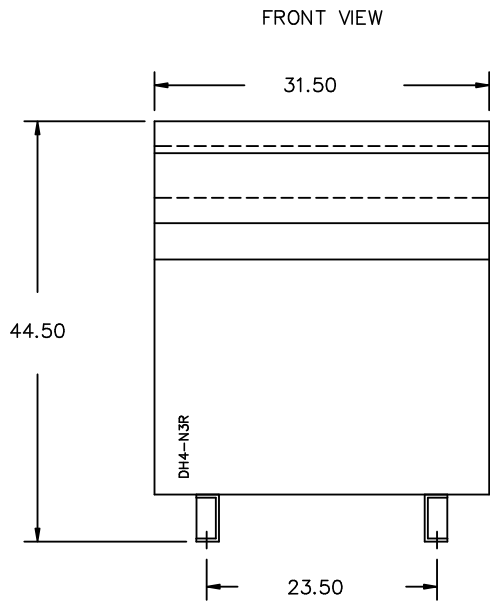
Siemens Industry, Inc. Norcross, GA ds00066



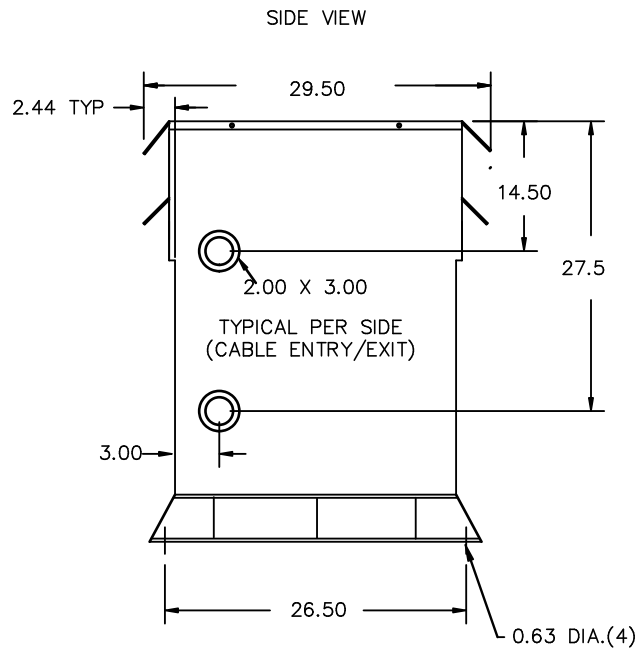
Confidential - Property of
 Siemens Industry, Inc.

REVISION	DATE	BY	DATE	BY
		DRAWN	15/11/09	JW
		CHEK'D		
		VERIF'D		

CUSTOMER		
ORDER NO.	DWG. NO.	
	3F3Y112FCD16	SH 1 OF 2



All Dimensions in inches

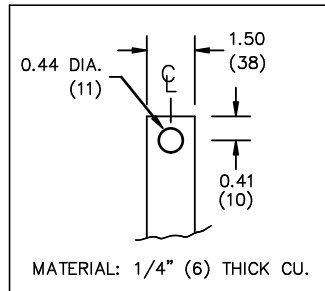


ENCLOSURE COLOR :ANSI 61 GREY – OUTDOOR

H.V.1. TERMINAL DETAIL

L.V.1. TERMINAL DETAIL

MECHANICAL TYPE LUGS INCLUDED
SUITABLE FOR 350MCM-6 CU/AL
CONDUCTORS
1 CONDUCTOR PER PHASE



CUSTOMER NOTES:

- HV1 TERMINATED AT TOP FRONT
- LV1 TERMINATED AT BOTTOM FRONT

Confidential – Property of
Siemens Industry, Inc.

REVISION	DATE	BY	DATE	BY	CUSTOMER
			DRAWN 15/11/09	JW	
			CHEK'D		
			VERIF'D		
		ORDER NO.		DWG. NO.	
				3F3Y112FCD16	
					SH 2 OF 2