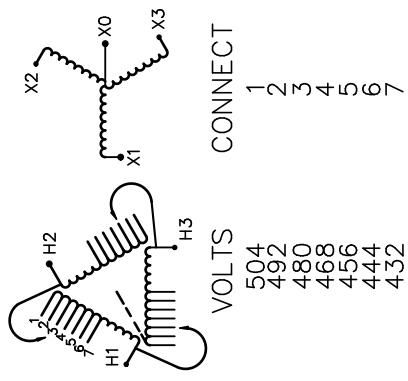




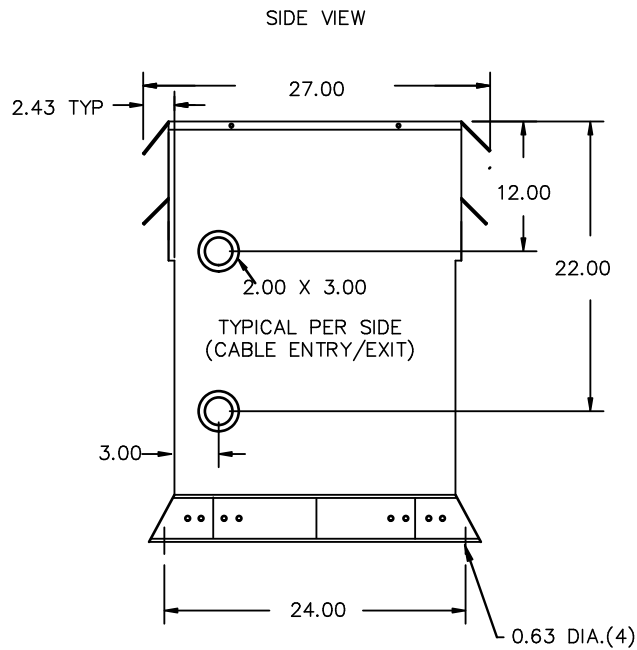
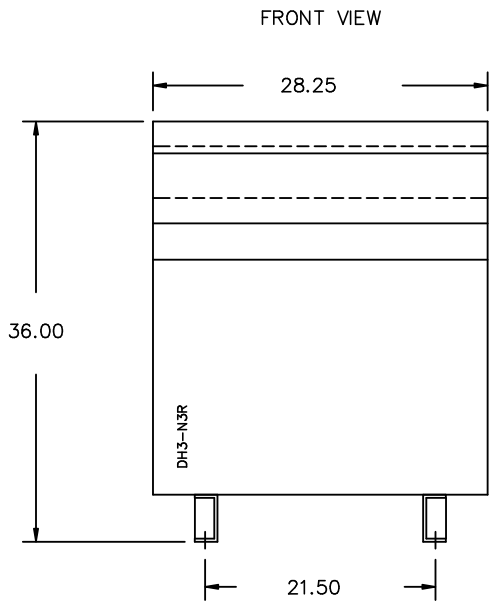
REVISION	DATE	BY	DATE	BY
			15/11/09	JW

Confidential - Property of Siemens Industry, Inc.	
CUSTOMER	
ORDER NO.	DWG. NO.
	3F3Y112D16
	SH 1 OF 2

SIEMENS

CATALOG NO. 3F3Y112D16 SERIAL NO. 112.5 kVA 60 Hz 3 PHASE 5.5 % IMP AT 170 °C 150 °C RISE 30 °C AVG. AMBIENT 220 °C TEMP CLASS 40 °C MAX. AMBIENT PRIMARY (H1 H2 H3) 480V V 10 kV BIL SECONDARY(X0 X1 X2 X3) 208Y/120V V 10 kV BIL WINDING MATERIAL AL ENCLOSURE TYPE 3R WEIGHT 685 LBS ENERGY EFFICIENCY EXCEEDS CSA DOE 10 CFR PART 431:2016 C802.2-2012		TYPE K   DRY TYPE TRANSFORMER SEISMIC QUALIFICATIONS, FLOOR MOUNT ONLY OSP-0136-10 IBC 2012/ASCE 7-10 SDS<=2.0g z/h=1 p=1.5
SPACINGS BETWEEN ANY VENTILATED ENCLOSURE PANEL AND ANY ADJACENT WALL SHALL BE A MINIMUM OF 5 INCHES EXCEPT WHEN WALL MOUNTED USING APPROVED WALL MOUNTING KIT		NEMA Class ANN Dry Type Transformer Siemens Industry, Inc. Norcross, GA 30092
SUITABLE FOR INDOOR OR OUTDOOR LOCATIONS BEFORE HANDLING; INSTALLING AND OPERATING; SEE INSTRUCTION MANUAL		





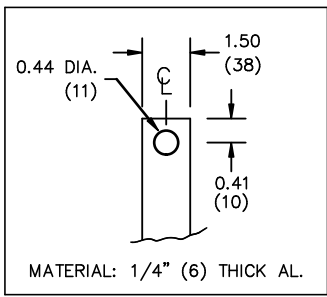
All Dimensions in inches

ENCLOSURE COLOR :ANSI 61 GREY – OUTDOOR

H.V.1. TERMINAL DETAIL

L.V.1. TERMINAL DETAIL

MECHANICAL TYPE LUGS INCLUDED
SUITABLE FOR 250MCM-6 CU/AL
CONDUCTORS
1 CONDUCTOR PER PHASE



CUSTOMER NOTES:

- HV1 TERMINATED AT TOP FRONT
- LV1 TERMINATED AT BOTTOM FRONT

Confidential – Property of
Siemens Industry, Inc.

REVISION	DATE	BY	DATE	BY
			15/11/09	JW

CUSTOMER	
ORDER NO.	DWG. NO.
	3F3Y112D16
	SH 2 OF 2

0.0 jwen 2016/09/29 10:03