

# SIEMENS

CATALOG NO. 3F3Y112CLN3D16

SERIAL NO.

SERIES H

112.5 kVA 60 Hz 3 PHASE

3.5 % IMP AT 170 °C

150 °C RISE 30 °C AVG. AMBIENT

220 °C TEMP CLASS 40 °C MAX. AMBIENT

PRIMARY ( H1 H2 H3 ) 480V V 10 kV BIL

SECONDARY( X0 X1 X2 X3 ) 208Y/120V V 10 kV BIL

WINDING MATERIAL CU

ENCLOSURE TYPE 3R WEIGHT 775 LBS

ENERGY EFFICIENCY EXCEEDS CSA DOE 10 CFR PART 431:2016

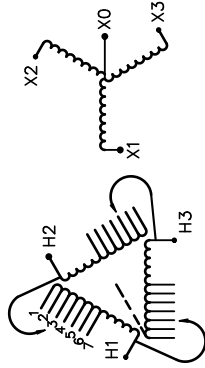
SPACINGS BETWEEN ANY VENTILATED ENCLOSURE PANEL AND ANY ADJACENT WALL SHALL BE A MINIMUM OF 5 INCHES EXCEPT WHEN WALL MOUNTED USING APPROVED WALL MOUNTING KIT

SOUND LEVEL 3dB BELOW NEMA ST20 REQUIREMENTS

SUITABLE FOR INDOOR OR OUTDOOR LOCATIONS BEFORE HANDLING, INSTALLING AND OPERATING, SEE INSTRUCTION MANUAL

NEMA Class ANN Dry Type Transformer

Siemens Industry, Inc. Norcross, GA ds00066



| VOLTS | CONNECT |
|-------|---------|
| 504   | 1       |
| 492   | 2       |
| 480   | 3       |
| 468   | 4       |
| 456   | 5       |
| 444   | 6       |
| 432   | 7       |

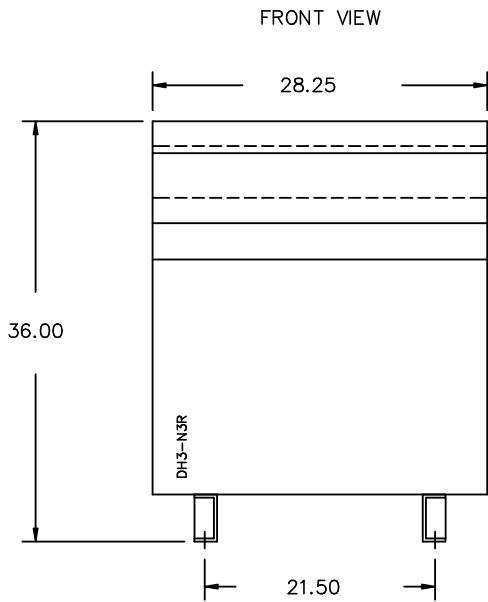


SEISMIC QUALIFICATIONS, FLOOR MOUNT ONLY  
OSP-0136-10 IBC 2012/ASCE 7-10  
SDS<=2.0g Z/h=1 Ip=1.5

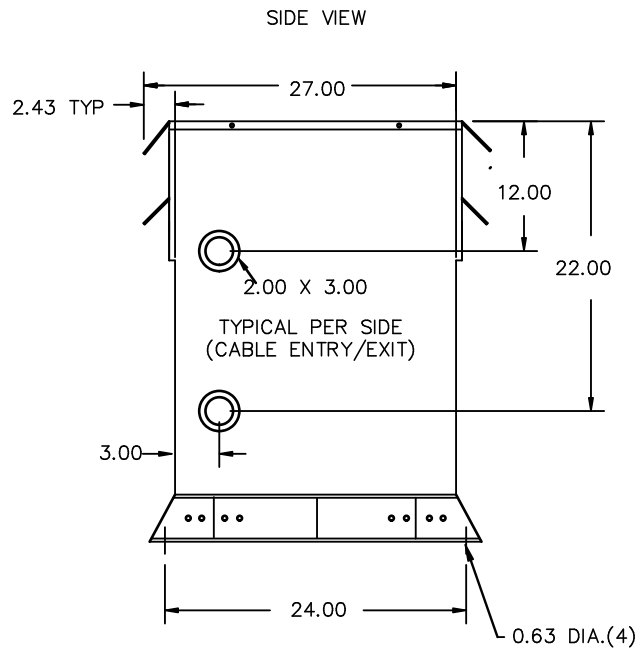
| REVISION | DATE | BY      | DATE     | BY |
|----------|------|---------|----------|----|
|          |      | DRAWN   | 15/11/09 | JW |
|          |      | CHEK'D  |          |    |
|          |      | VERIF'D |          |    |

Confidential - Property of  
Siemens Industry, Inc.

|           |                |
|-----------|----------------|
| CUSTOMER  |                |
| ORDER NO. | DWG. NO.       |
|           | 3F3Y112CLN3D16 |
|           | SH 1 OF 2      |



All Dimensions in inches

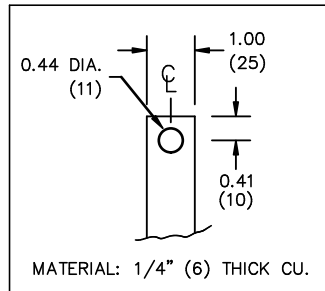


ENCLOSURE COLOR :ANSI 61 GREY – OUTDOOR

H.V.1. TERMINAL DETAIL

L.V.1. TERMINAL DETAIL

MECHANICAL TYPE LUGS INCLUDED  
SUITABLE FOR 250MCM-6 CU/AL  
CONDUCTORS  
1 CONDUCTOR PER PHASE



CUSTOMER NOTES:

- HV1 TERMINATED AT TOP FRONT
- LV1 TERMINATED AT BOTTOM FRONT

Confidential – Property of  
Siemens Industry, Inc.

| REVISION | DATE | BY | DATE           | BY | CUSTOMER                   |
|----------|------|----|----------------|----|----------------------------|
|          |      |    | DRAWN 15/11/09 | JW |                            |
|          |      |    | CHEK'D         |    |                            |
|          |      |    | VERIF'D        |    |                            |
|          |      |    |                |    | ORDER NO.                  |
|          |      |    |                |    | DWG. NO.<br>3F3Y112CLN3D16 |
|          |      |    |                |    | SH 2 OF 2                  |