

# SIEMENS

CATALOG NO. 3F3Y075LN3D16

SERIAL NO.

SERIES H  
3 PHASE

75 kVA 60 Hz

5.5 % IMP AT 170 °C

150 °C RISE 30 °C AVG. AMBIENT

220 °C TEMP CLASS 40 °C MAX. AMBIENT

PRIMARY ( H1 H2 H3 ) 480V V 10 kV BIL

SECONDARY( X0 X1 X2 X3 ) 208Y/120V V 10 kV BIL

WINDING MATERIAL AL

ENCLOSURE TYPE 3R WEIGHT 550 LBS

ENERGY EFFICIENCY EXCEEDS CSA DOE 10 CFR PART 431:2016  
C802.2-2012

SPACINGS BETWEEN ANY VENTILATED ENCLOSURE PANEL AND  
ANY ADJACENT WALL SHALL BE A MINIMUM OF 5 INCHES  
EXCEPT WHEN WALL MOUNTED USING APPROVED WALL MOUNTING KIT

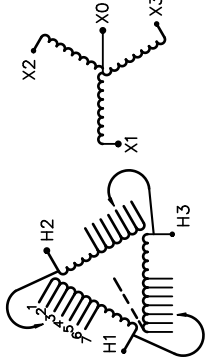
SOUND LEVEL 3dB BELOW NEMA ST20 REQUIREMENTS

SUITABLE FOR INDOOR OR OUTDOOR LOCATIONS  
BEFORE HANDLING, INSTALLING AND OPERATING, SEE INSTRUCTION MANUAL

NEMA Class ANN Dry Type Transformer

Siemens Industry, Inc. Norcross, GA

des00066



VOLTS	CONNECT
504	1
492	2
480	3
468	4
456	5
444	6
432	7



3F3Y075LN3D16

Confidential - Property of  
Siemens Industry, Inc.

REVISION	DATE	BY	DATE	BY
		DRAWN	15/11/09	JW
		CHEK'D		
		VERIF'D		

CUSTOMER

ORDER NO.

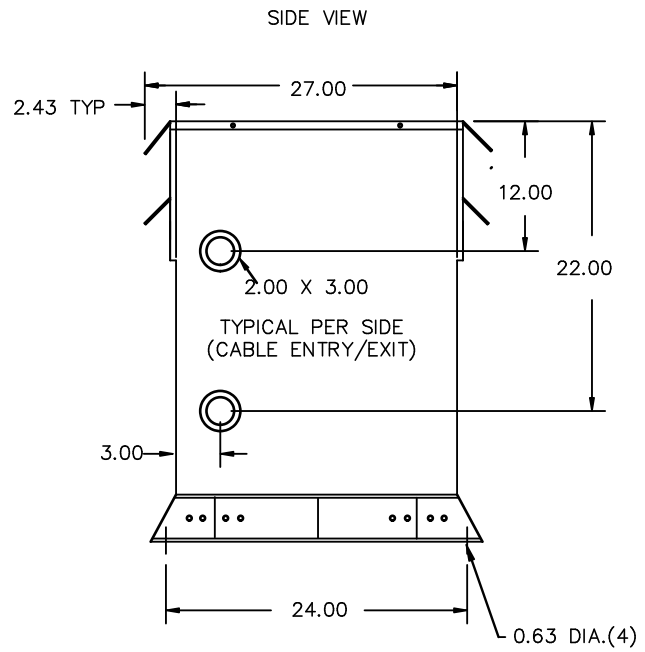
DWG. NO.

3F3Y075LN3D16

SH 1 OF 2



All Dimensions in inches



ENCLOSURE COLOR :ANSI 61 GREY – OUTDOOR

H.V.1. TERMINAL DETAIL

L.V.1. TERMINAL DETAIL

MECHANICAL TYPE LUGS INCLUDED  
SUITABLE FOR #2/0-14 CU/AL  
CONDUCTORS  
1 CONDUCTOR PER PHASE

MECHANICAL TYPE LUGS INCLUDED  
SUITABLE FOR 600MCM-2 CU/AL  
CONDUCTORS  
1 CONDUCTOR PER PHASE

CUSTOMER NOTES:

- HV1 TERMINATED AT TOP FRONT
- LV1 TERMINATED AT BOTTOM FRONT

Confidential – Property of  
Siemens Industry, Inc.

REVISION	DATE	BY	DATE	BY
			DRAWN 15/11/09	JW
			CHEK'D	
			VERIF'D	

CUSTOMER		
ORDER NO.	DWG. NO. 3F3Y075LN3D16	SH 2 OF 2