

# SIEMENS

CATALOG NO. 3F1Y150CD16

SERIAL NO.

SERIES H

150 kVA 60 Hz 3 PHASE

4.9 % IMP AT 170 °C

150 °C RISE 30 °C AVG. AMBIENT

220 °C TEMP CLASS 40 °C MAX. AMBIENT

PRIMARY ( H1 H2 H3 ) 480V V 10 kV BIL

SECONDARY( X1 X2 X3 ) 240V V 10 kV BIL

WINDING MATERIAL CU

ENCLOSURE TYPE 3R WEIGHT 975 LBS

ENERGY EFFICIENCY EXCEEDS CSA DOE 10 CFR PART 431:2016

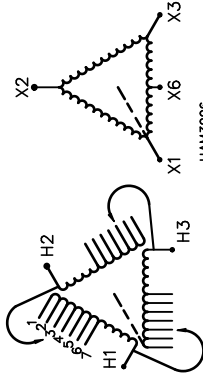
SPACINGS BETWEEN ANY VENTILATED ENCLOSURE PANEL AND ANY ADJACENT WALL SHALL BE A MINIMUM OF 5 INCHES EXCEPT WHEN WALL MOUNTED USING APPROVED WALL MOUNTING KIT X6=120V CT, 5% OF KVA RATING MAXIMUM

SUITABLE FOR INDOOR OR OUTDOOR LOCATIONS BEFORE HANDLING, INSTALLING AND OPERATING, SEE INSTRUCTION MANUAL

NEMA Class ANN Dry Type Transformer

Siemens Industry, Inc. Norcross, GA

ds00066



VOLTS

- 504
- 492
- 480
- 468
- 456
- 444
- 432

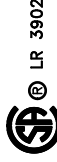
HAMB008 CONNECT

- 1
- 2
- 3
- 4
- 5
- 6
- 7

3F1Y150CD16



TYPE K



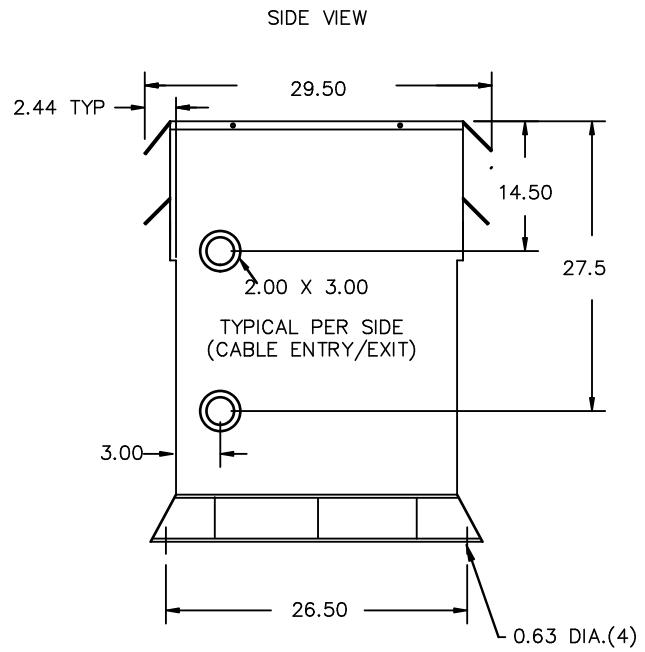
SEISMIC QUALIFICATIONS, FLOOR MOUNT ONLY  
OSP-0136-10 IBC 2012/ASCE 7-10  
SDS<=2.0g Z/h=1 Ip=1.5

| REVISION | DATE | BY      | DATE     | BY |
|----------|------|---------|----------|----|
|          |      | DRAWN   | 15/11/09 | JW |
|          |      | CHEK'D  |          |    |
|          |      | VERIF'D |          |    |

|  |           |             |
|--|-----------|-------------|
| Confidential - Property of<br>Siemens Industry, Inc. |           |             |
| CUSTOMER   | ORDER NO. | DWG. NO.    |
|  |           | 3F1Y150CD16 |
|  |           | SH 1 OF 2   |



All Dimensions in inches

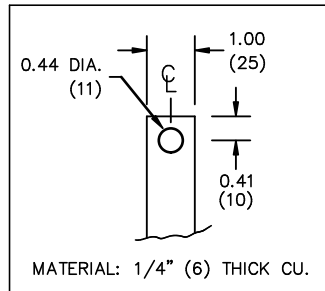


ENCLOSURE COLOR :ANSI 61 GREY – OUTDOOR

H.V.1. TERMINAL DETAIL

L.V.1. TERMINAL DETAIL

MECHANICAL TYPE LUGS INCLUDED  
SUITABLE FOR 350MCM-6 CU/AL  
CONDUCTORS  
1 CONDUCTOR PER PHASE



CUSTOMER NOTES:

- HV1 TERMINATED AT TOP FRONT
- LV1 TERMINATED AT BOTTOM FRONT

Confidential – Property of  
Siemens Industry, Inc.

| REVISION | DATE | BY | DATE           | BY |
|----------|------|----|----------------|----|
|          |      |    | DRAWN 15/11/09 | JW |
|          |      |    | CHEK'D         |    |
|          |      |    | VERIF'D        |    |

|           |             |           |
|-----------|-------------|-----------|
| CUSTOMER  |             |           |
| ORDER NO. | DWG. NO.    |           |
|           | 3F1Y150CD16 | SH 2 OF 2 |