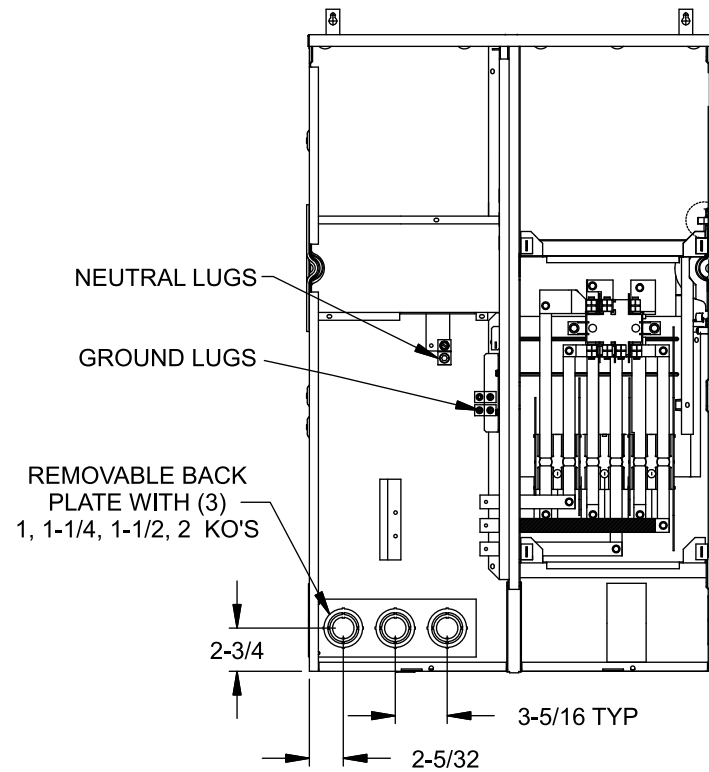
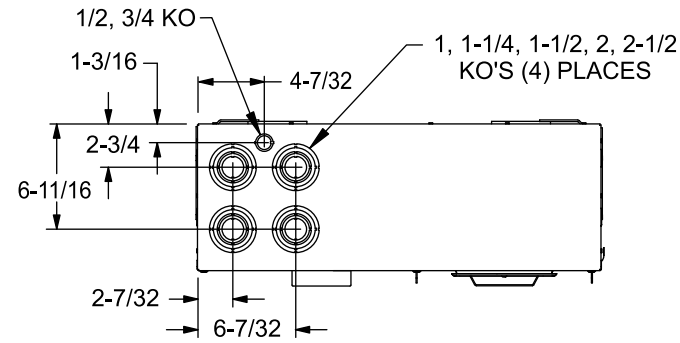


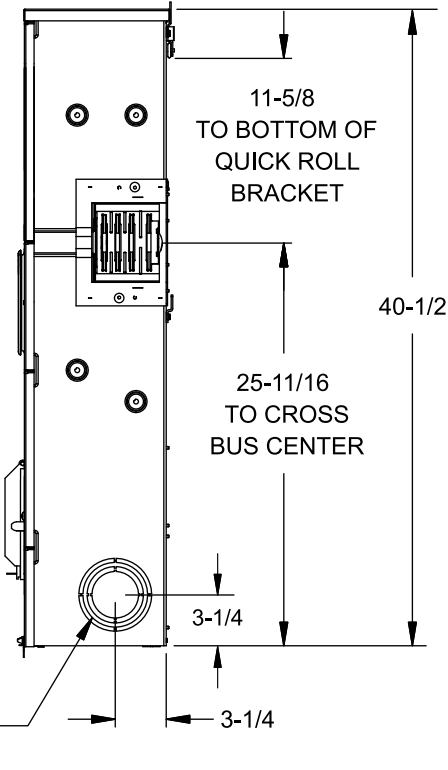
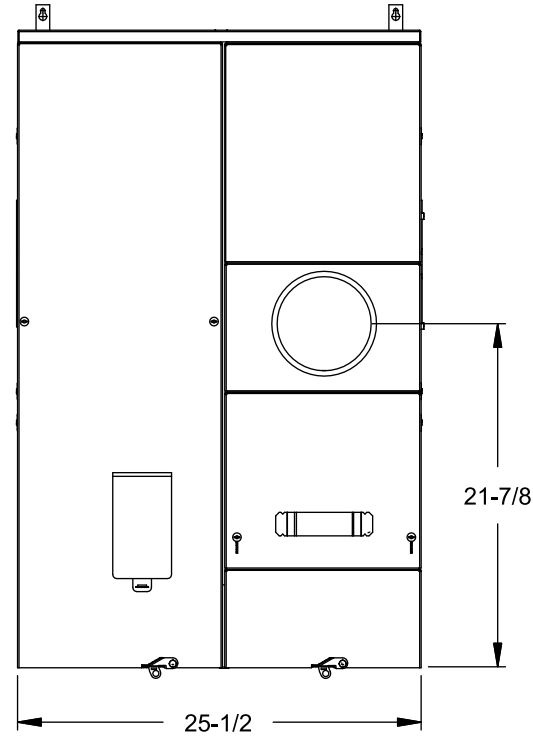
Catalog Numbers, Ratings and Features

Catalog No.	Max. Branch Rating	Main Bus, 1200A Max.	Breaker Type	Meter Socket Cover	Meter Socket Type/ Continuous Rating	No. of Jaws	Bypass Type	Neutral Lug (Qty) and Wire Range	Equip Ground Lug (Qty) and Wire Range
MT13225J	225A	3 Phase	3 Pole QR or QJ	Ring	TBB-7 / 200A	7	Test Block	(1) #4-300 kcmil	(2) #4-2/0 AWG

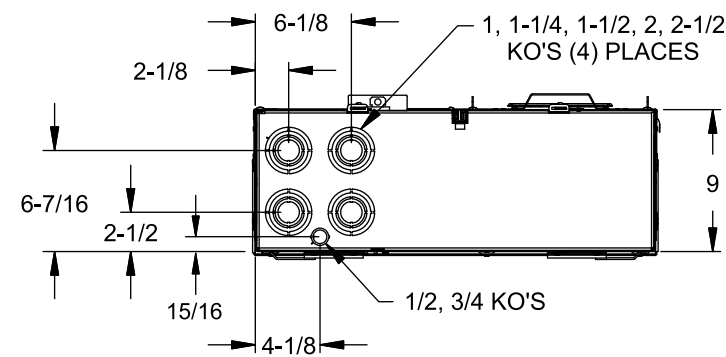
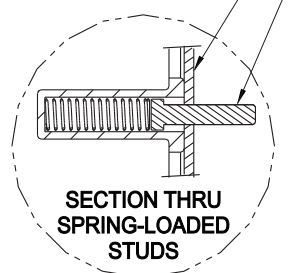
- TYPE 1 INDOOR ENCLOSURE
- 208Y/120 VOLTS AC, 3 PHASE, 4 WIRE
- 240/120 VOLTS AC, 3 PHASE, 4 WIRE DELTA
- 3 PHASE INPUT, 3 PHASE OUTPUT
- MOUNTING RAILS AND ADJUSTABLE BRACKETS FOR SECURE MOUNTING
- COMPLIES WITH EUSERC DWG. No. 312 AND 353



SPRING-LOADED STUDS
SEE DETAIL



#10-32 x 7/8 SCREWS
ENCLOSURE WALL

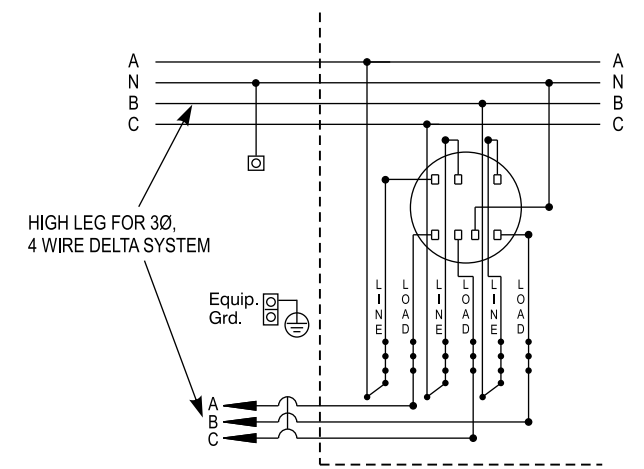


Additional Modules and Accessories

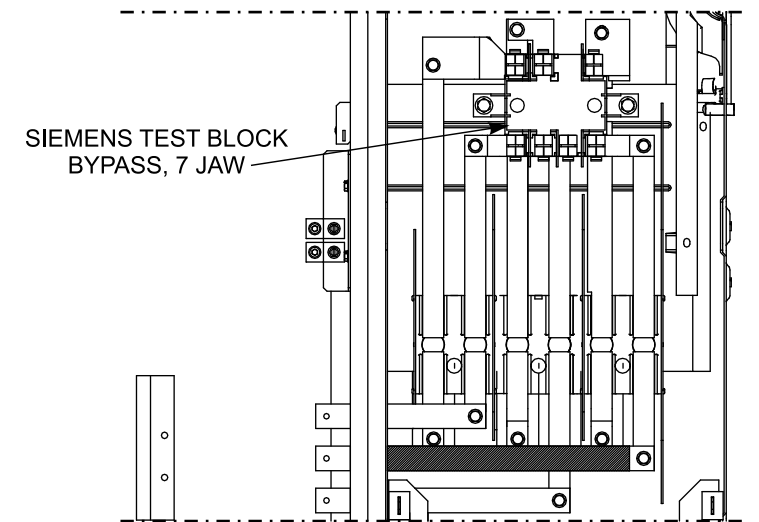
FOR USE WITH: Module Description	Siemens Series#
Main Breakers	(W)MC, WB, WEB, WXB, WBT
Switches	WMP, WMS, WS, WES
Tap/Terminal Boxes	WMTB, WTB, WET, WT PU
Pull Boxes	WMMB
Meter Module	(W)MM, WxMM, (W)MT, (W)ML, (W)MK, (W)MLZ(F)
Meter Combinations	WC, WCL, WCT
Extension Box	WMEX, WSP, WSPD
Bussed Elbow	BE, WELB

Connect Modules Using:	Catalog Number / Torque
QuickConnect, 3 Phase	QC4, Torque 400-440 lb-in (35-36 ft.-lb.)

Schematic



Enlarged Socket Detail



© 2017 Copyright Siemens Industry, Inc.

SIEMENS
Siemens Industry, Inc.

PowerMod™ Modular Metering

Description:
Test Block Bypass 1 Pos 225A Tenant Indoor 3in-3out Commercial Metering Module

KAM 11/10/17 DO NOT SCALE DRAWING Dwg No: **MT13225J**