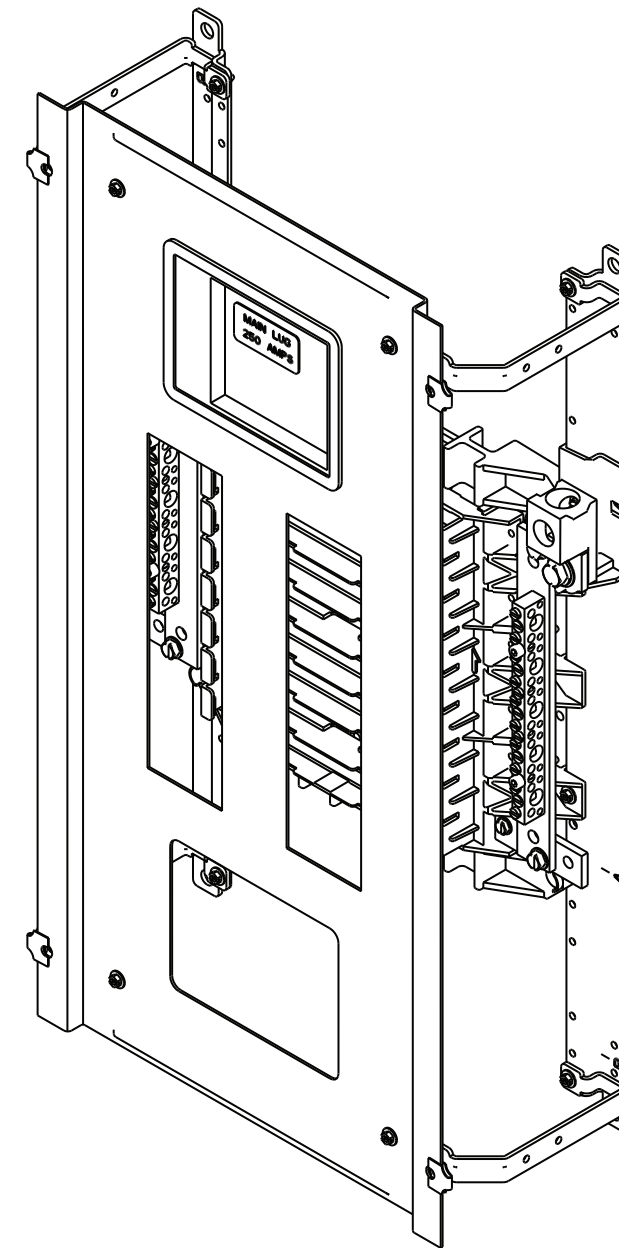


# SIEMENS

## P1-250 Panelboard Kit 2NLK30A, 2NLK42A & 2NLK54A 200% Neutral Lug Kits (for use in Revised P1 Panelboards ONLY)<sup>1</sup>

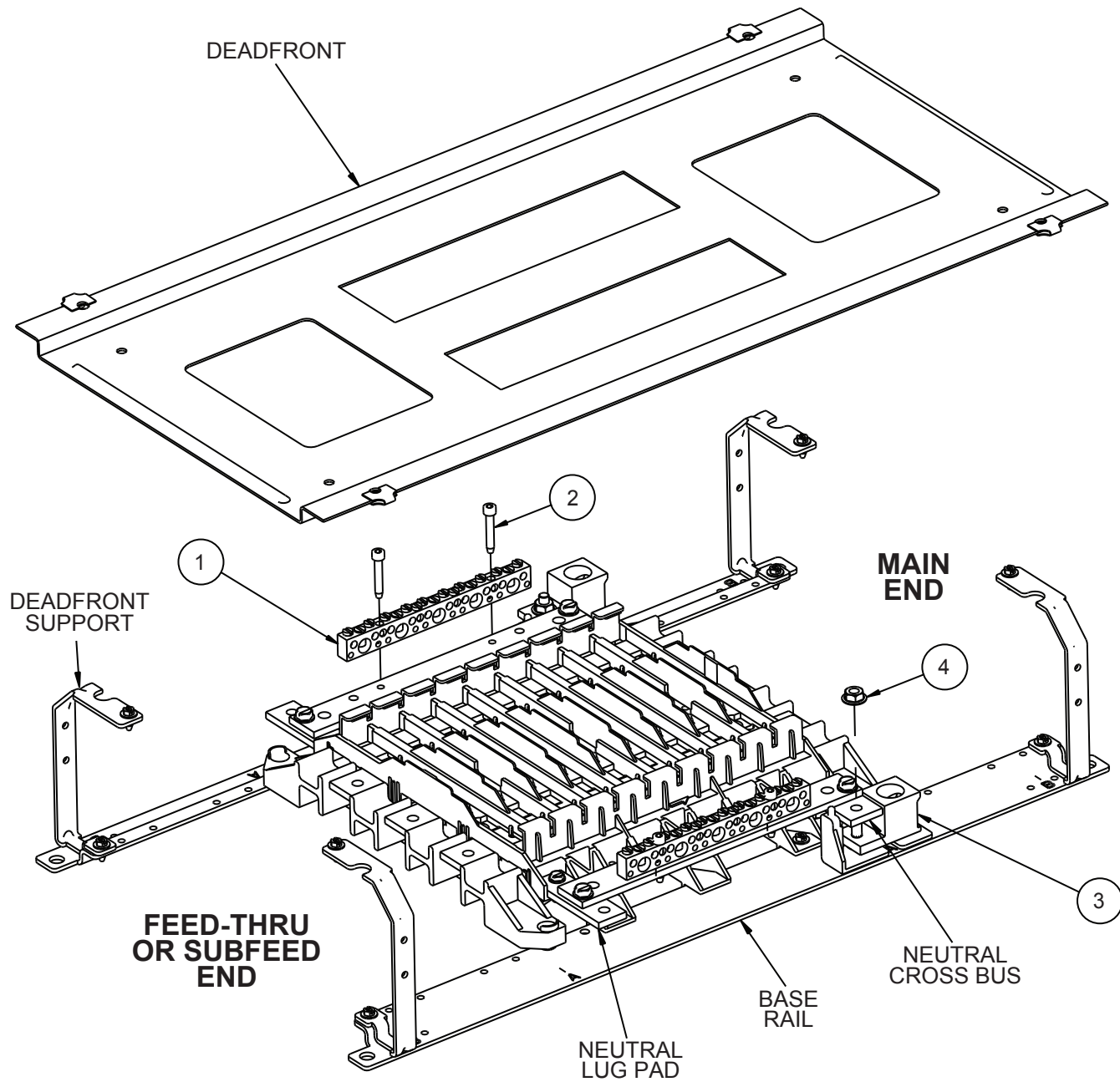
Installation  
Instructions



These instructions do not purport to cover all details or variations in equipment, or to provide for every possible contingency to be met in connection with installation, operation or maintenance. Should further information be desired or should particular problems arise, which are not covered sufficiently for the purchaser's purposes, the matter should be referred to the local Siemens sales office. The contents of this Instruction manual shall not become part of or modify any prior or existing agreement, commitment or relationship. The sales contract contains the entire obligation of Siemens. The warranty contained in the contract between the parties is the sole warranty of Siemens. Any statements contained herein do not create new warranties or modify the existing warranty.

Trademarks - Unless otherwise noted, all names identified by ® are registered trademarks of Siemens AG or Siemens Industry, Inc. The remaining trademarks in this publication may be trademarks whose use by third parties for their own purposes could violate the rights of the owner.

<sup>1</sup> To confirm, note the part number of the panel (marked on the interior label). If it ends in an "N" or a "T" it is a "Revised P1" and is compatible with this kit. (For example: P1E42MC250A is an Original P1; P1E42MC250AT is a Revised P1)



THIS KIT CONTAINS THE FOLLOWING ITEMS:

ITEM	DESCRIPTION	QTY
1	NEUTRAL CONNECTOR STRIP (for COPPER cable ONLY)	*
2	#10-24 x 1-1/8" SOCKET HEAD CAP THREAD-FORMING SCREW	**
3	NEUTRAL LUG ASSEMBLY	2
4	1/4"-20 BELLEVILLE WASHER NUT	2
5	200% NEUTRAL LABEL	1

\* (2) for 18, 30 & 42 circuits; (4) for 54 & 66 circuits.

\*\* (4) for 18, 30 & 42 circuits; (8) for 54 & 66 circuits.

## Installation Instructions

The following instructions are for the installation of Siemens optional neutral kits in a Revised P1 panelboard. The parts provided in this kit are for connection to a 1-phase 3-wire or 3-phase 4-wire system. The 2NLK\*\*A kits are for 200% rated neutrals sometimes required for panels supplying loads with high harmonic loads, such as personal computers. Caution: The 200% neutral requires that the line cable and connectors be doubled, for example instead of (1) cable for 250 amp panel use (2) cables instead. (NOTE: Use 2NLK30A for 18-circuit systems and 2NLK54A for 66-circuit systems.)



1. Lock off all power supplying this equipment before working on it.
2. Remove the deadfront.
3. Remove the existing neutral connector strips and replace with strips (item 1) and hardware (item 2) provided in this kit.
4. Depending on existing main neutral connectors, install (1) or (2) main neutral connectors (item 3) so that double connectors are available. Position the lug sub-assembly under the cross bus and insert exposed stud from beneath, as shown. Then thread on the 1/4"-20 belleville washer nut (item 4).
5. Torque all connections to the values specified on the Hardware Tightening Torque label affixed to the rear of the deadfront.
6. Attach branch cables to the lugs and torque connections to the values specified on the device. If no values are specified refer to the Hardware Tightening Torque label affixed to the rear of the deadfront.
7. Place 200% Neutral Label (item 5) on the front of the deadfront (rear if no room on the front).
8. Before energizing the panel, ensure that all connections have been properly torqued, that the deadfront is installed and that all fillers are in place.

FEED-THRU or SUBFEED: It does NOT matter to which end of the panel the connector is mounted.

NON FEED-THRU or SUBFEED: Install connector at main end ONLY in a panel without feed-thru or subfeed space.