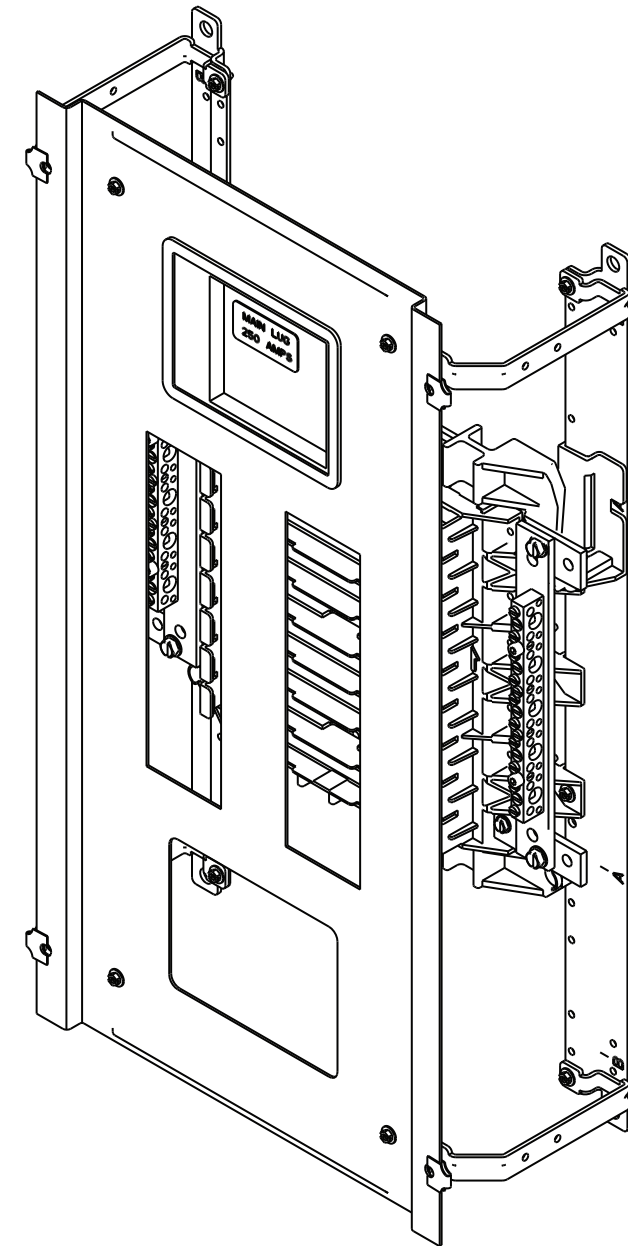


# SIEMENS

## P1 Panelboard Kit LNLK30A, LNLK42A & LNLK54A 2/0 Neutral Lug Kits

(for use in Revised P1 Panelboards ONLY)<sup>1</sup>

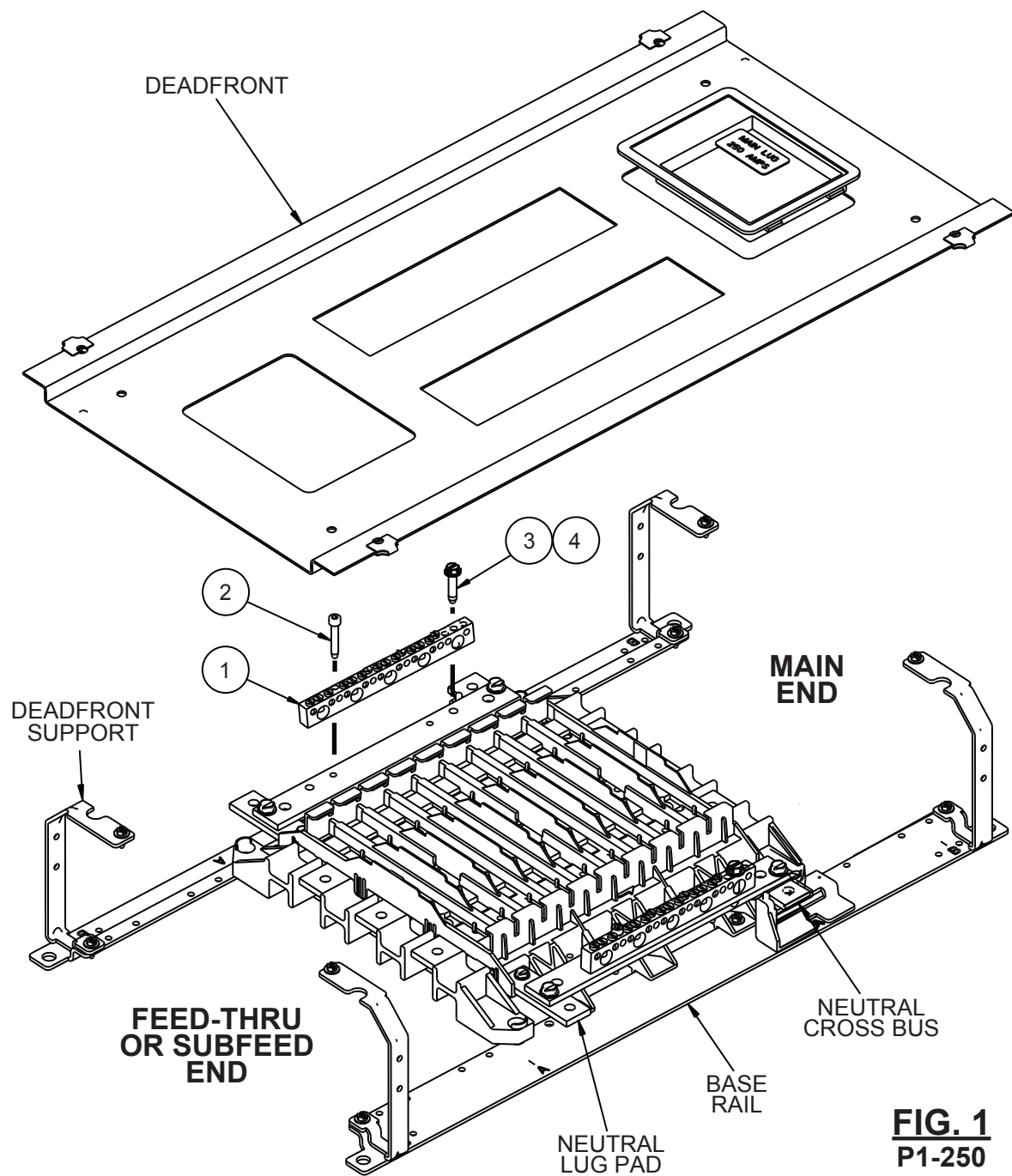
Installation  
Instructions



These instructions do not purport to cover all details or variations in equipment, or to provide for every possible contingency to be met in connection with installation, operation or maintenance. Should further information be desired or should particular problems arise, which are not covered sufficiently for the purchaser's purposes, the matter should be referred to the local Siemens sales office. The contents of this Instruction manual shall not become part of or modify any prior or existing agreement, commitment or relationship. The sales contract contains the entire obligation of Siemens. The warranty contained in the contract between the parties is the sole warranty of Siemens. Any statements contained herein do not create new warranties or modify the existing warranty.

Trademarks - Unless otherwise noted, all names identified by ® are registered trademarks of Siemens AG or Siemens Industry, Inc. The remaining trademarks in this publication may be trademarks whose use by third parties for their own purposes could violate the rights of the owner.

<sup>1</sup> To confirm, note the part number of the panel (marked on the interior label). If it ends in an "N" or a "T" it is a "Revised P1" and is compatible with this kit. (For example: P1E42MC250A is an Original P1; P1E42MC250AT is a Revised P1)



**FIG. 1**  
P1-250

THIS KIT CONTAINS THE FOLLOWING ITEMS:

ITEM	DESCRIPTION	QTY
1	2/0 NEUTRAL CONNECTOR STRIP	*
2	#10-24 x 1-1/8" SOCKET HEAD CAP THREAD-FORMING SCREW	*
3	1/4"-20 x 1-1/8" HEX WASHER HEAD SCREW	*
4	1/4"-20 x 1" HEX WASHER HEAD SCREW	*

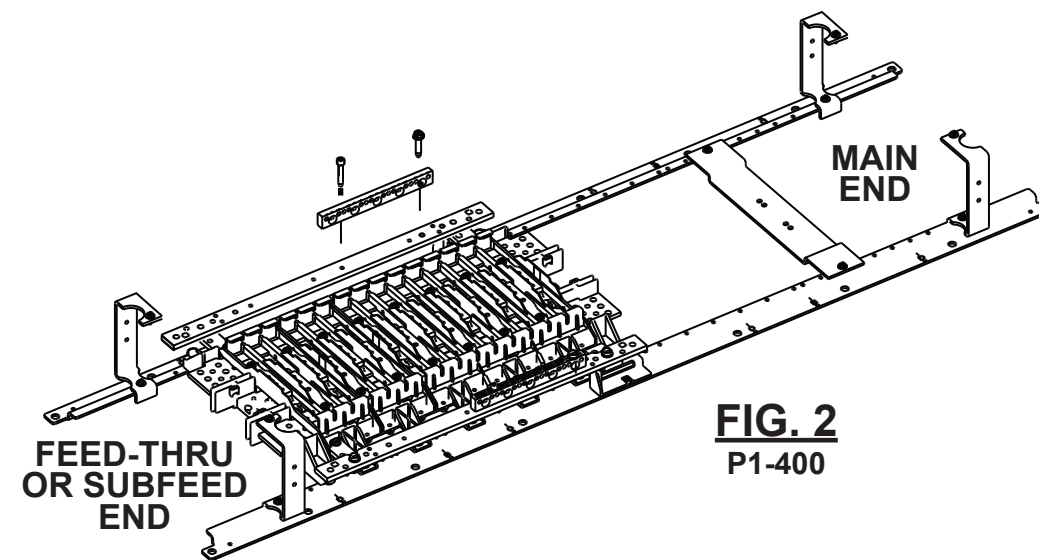
\* (2) for 18, 30 & 42 circuit panel; (4) for 54 & 66 circuit panel

## Installation Instructions

The following instructions are for the installation of Siemens optional neutral kits in a Revised P1 panelboard. The parts provided in this kit are for connection to a 1-phase 3-wire or 3-phase 4-wire system. The LNLK\*\*A kits are for panels requiring 2/0 mechanical connectors for 18, 30, 42, 54 & 66-circuits. (NOTE: Use LNLK30A for 18-circuit systems and LNLK54A for 66-circuit systems.)



1. Lock off all power supplying this equipment before working on it.
2. Remove the deadfront.
3. Remove the existing neutral connector strips and replace with 2/0 neutral strips (item 1) and hardware provided in this kit: Both the P1-250 and the P1-400 use the #10-24 x 1-1/8" screw (item 2) on the lower hole. The P1-250 uses the 1/4"-20 x 1" hex washer head screw (item 4) for the upper hole. The P1-400 uses the 1-1/8" long version (item 3).
4. Torque all connections to the values specified on the Hardware Tightening Torque label affixed to the rear of the deadfront.
5. Attach branch cables to the strips and torque connections to the values specified on the Hardware Tightening Torque label affixed to the rear of the deadfront.
6. Before energizing the panel, ensure that all connections have been properly torqued, that the deadfront is installed and that all fillers are in place.



**FIG. 2**  
P1-400