

CATALOG NO:
MM0202L1200CEY

FEED:
TOP OR BOTTOM

BREAKER LOCATION:
SIDE SECTION

TYPE 3R ENCLOSURE (RAINPROOF).

SUITABLE FOR USE AS SERVICE EQUIPMENT WHEN NOT MORE THAN SIX MAIN DISCONNECTING MEANS ARE PROVIDED. WHEN USED AS SERVICE EQUIPMENT, BOND NEUTRAL AND APPLY "SERVICE DISCONNECT" LABEL NEAR THE DISCONNECT HANDLE.

DEVICE RATING: 200 AMPS MAXIMUM; 120/240 VAC (4 JAW METER), SINGLE PHASE, THREE WIRE OR 208Y/120 VAC (5 JAW METER), THREE WIRE. LIMITED TO TWO POLE BREAKERS.
METER SOCKET RATING: 200 AMPS CONTINUOUS.

THIS DEVICE HAS A MAXIMUM SHORT CIRCUIT CURRENT RATING OF 35,000 RMS SYMMETRICAL AMPERES AT 240 VAC MAXIMUM. (Wait-Hour meter not included in short circuit current rating). THE ACTUAL RATING IS DEPENDENT ON THE MAIN BREAKER INSTALLED IN THIS PANELBOARD. THE CORRECT MAIN TO BE USED WITH THE VARIOUS SHORT CIRCUIT CURRENT RATINGS ARE LISTED IN THE TABULATION BELOW. ANY CIRCUIT BREAKER INSTALLED OR REPLACED IN THIS PANELBOARD MUST BE MANUFACTURED BY SIEMENS AND MUST BE OF THE CORRECT TYPE AS INDICATED IN THE TABULATION BELOW.

MAX short circuit current rating in RMS symmetrical Amperes	MAIN	
	When protected by a field installed 2 pole circuit breaker Type	
35,000	Siemens QJ2H or HQR2	
22,000	Siemens QJH2 or QRH2	
10,000	Siemens QJ2 or QR2	

FOR BREAKERS WITH TRIPPED POSITION IN CENTER, RESET BREAKER BY MOVING HANDLE TO "OFF" AND THEN TO "ON".

FOR EQUIPMENT GROUND BAR ORDER ECLX SERIES, FOR 5TH JAW ORDER UX005B, IF HUB IS REQUIRED SELECT FROM "HC" LIST BELOW, OR USE ECHCRXA ADAPTER WITH HUBS SELECTED FROM "RX" LIST BELOW.

HC TYPE HUBS		RX TYPE HUBS	
SIZE	CAT. NO.	SIZE	CAT. NO.
2"	ECHC200	1-1/2"	EC38598
2-1/2"	ECHC250	2"	EC38599
3"	ECHC300	2-1/2"	EC38600

TERMINALS SUITABLE FOR USE WITH 60/75°C, AL/CU INSULATED WIRE

WIRE SIZE, kcmil OR AWG	PHASE, LINE LOAD & NEUTRAL	SERVICE GROUND	EQUIPMENT GROUND	
			LARGE HOLE	SMALL HOLE
250-2/0	250	---	---	---
1/0 - 3	---	50	45	---
4	---	45	45	---
6	---	45	45	35
8	---	40	40	25
10 - 14	---	35	35	20

TORQUE TEST BLOCK CIRCUIT CLOSING (DISCONNECT) NUT (5/8" ACROSS FLATS) TO 50 LB-IN.

NOTES:

- 1) FINISH: GRAY
- 2) CABINET: 16 GA GALV STEEL
- 3) 200 AMP, 120/240 VAC, 1 PHASE, 3 WIRE
- 4) SEALING RING, HUB COVER PLATE ASY & NEMA INSTRUCTION SHEET PLACED INSIDE OF BOX BEFORE DEADFRONT IS SECURED.
- 5) UL LISTED - FILE #E27485.
- 6) EUSERC DRAWING NUMBER 305A.

© 2015 Copyright Siemens Industry, Inc.

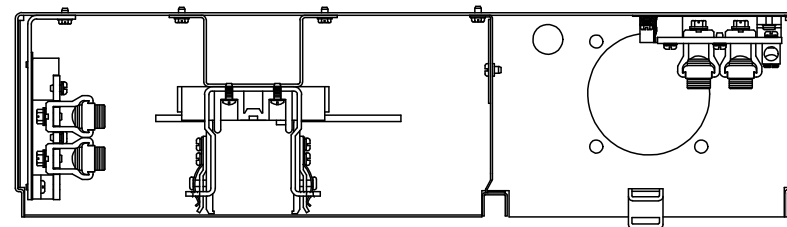
TALON

RAINPROOF COMBINATION METERING

Description:

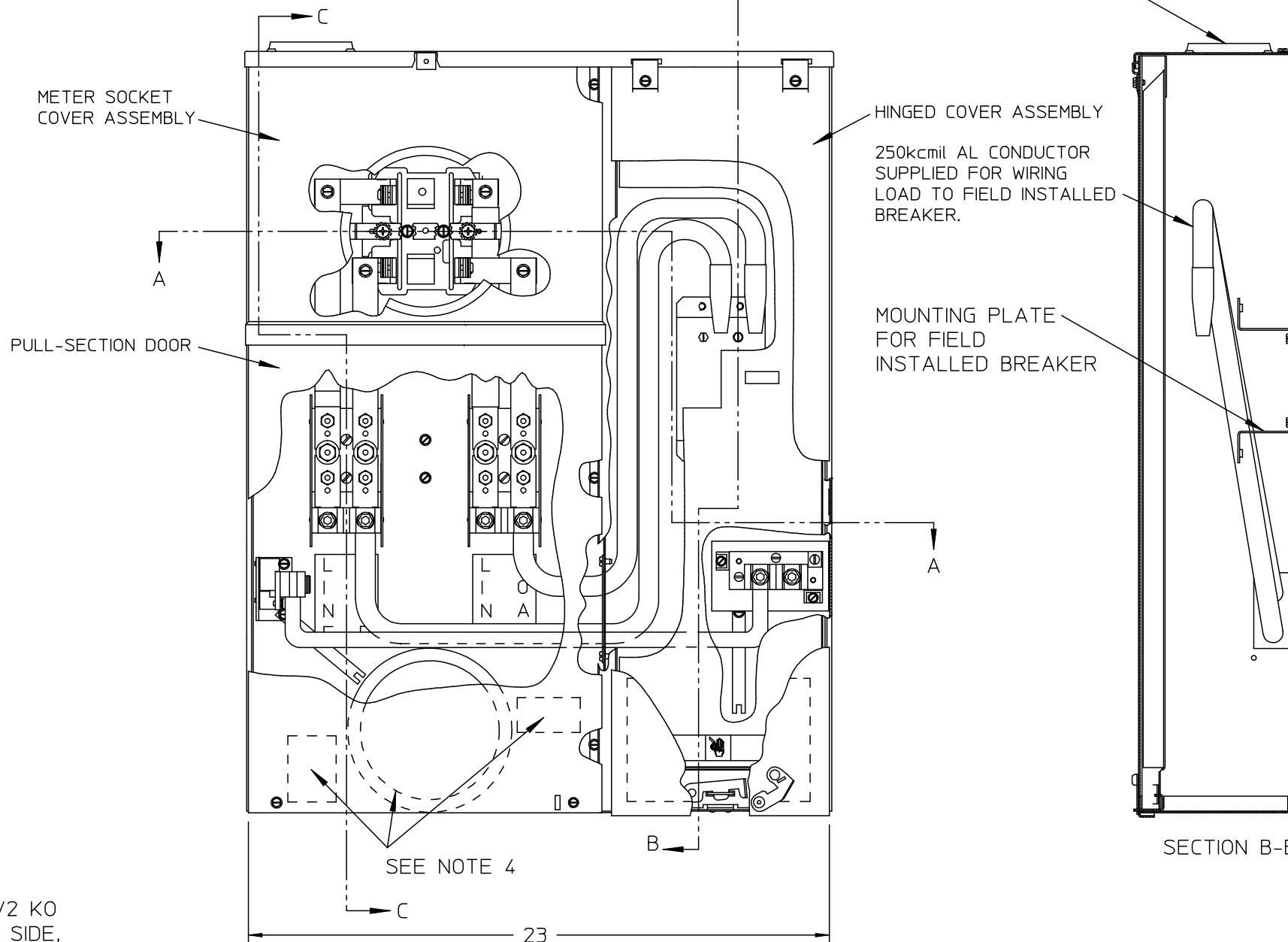
MTR SKT 200A 4T HO EUSERC

CJD 11-07-16 DO NOT SCALE DRAWING Dwg No: MM0202L1200CEY

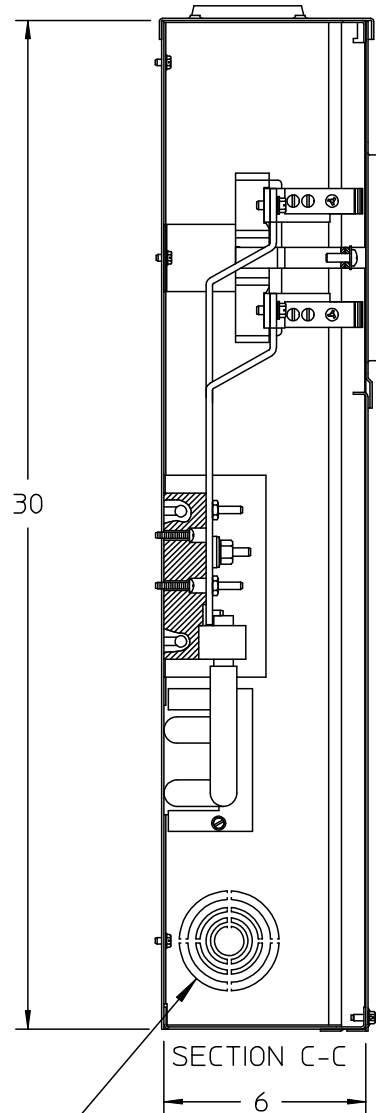


SECTION A-A

SIEMENS "HC" SERIES
HUB OPENING, TALL



SECTION B-B



SECTION C-C

2-1/2, 2, 1-1/2, 1, 3/4, 1/2 KO
(3) PLACES: RIGHTHAND SIDE,
LOWER PULL-SECTION AND
LOWER BREAKER SECTION.

.312 DIA. KO
(8) PLACES

3, 2-1/2, 2, 1-1/2, 1 KO
(2) PLACES

1/2 KO

