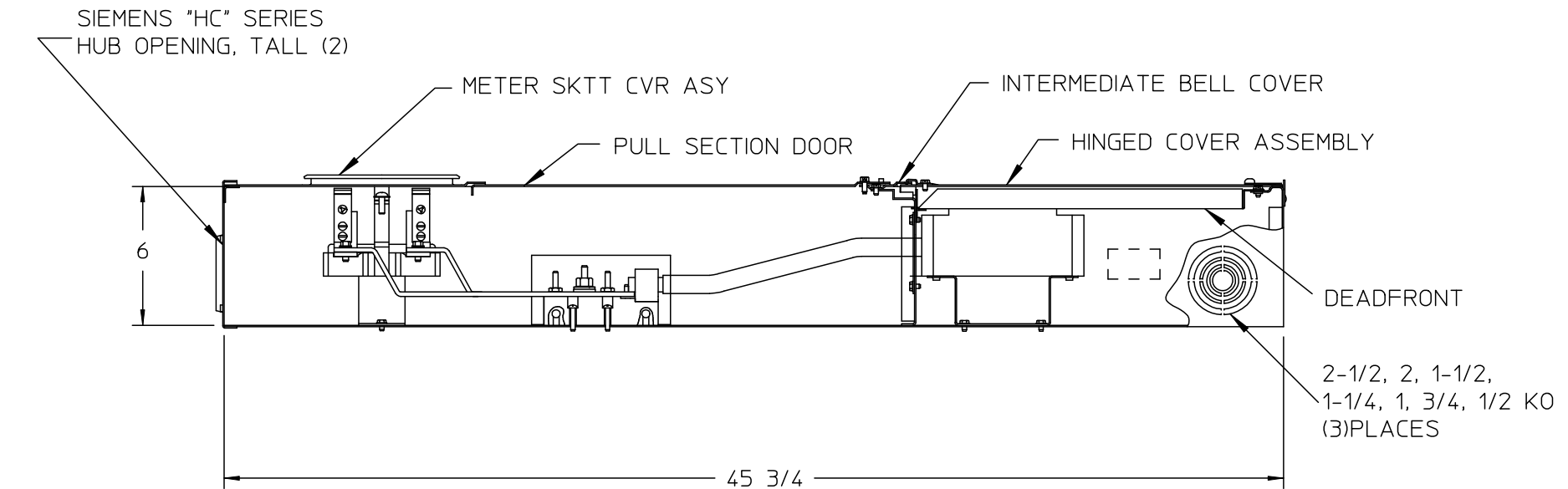


SEE NOTE 4



- NOTES:
- 1) FINISH: GRAY
  - 2) CABINET: 16 GA GALV STEEL
  - 3) 200 AMP, 240 VAC, 1 PHASE, 3 WIRE
  - 4) SEALING RING, HUB COVER PLATE ASY, & NEMA INSTR SHEET INSIDE OF BOX BEFORE DEADFRONT IS SECURED.
  - 5) UL LISTED - FILE E27485
  - 6) EUSERC DRAWING NUMBER 305A.

CATALOG NO: MM0202F1200EY      FEED: TOP ONLY      BREAKER LOCATION: BOTTOM SECTION  
 TYPE 3R ENCLOSURE (RAINPROOF).

SUITABLE FOR USE AS SERVICE EQUIPMENT WHEN NOT MORE THAN SIX MAIN DISCONNECTING MEANS ARE PROVIDED. WHEN USED AS SERVICE EQUIPMENT, BOND NEUTRAL AND APPLY "SERVICE DISCONNECT" LABEL NEAR THE DISCONNECT HANDLE.'

DEVICE RATING: 200 AMPS MAXIMUM; 120/240 VAC (4 JAW METER), SINGLE PHASE, THREE WIRE OR 208Y/120 VAC (5 JAW METER), SINGLE PHASE, THREE WIRE. METER SOCKET RATING: 200 AMPS CONTINUOUS.

THIS DEVICE HAS A MAXIMUM SHORT CIRCUIT CURRENT RATING OF 100,000 RMS SYMMETRICAL AMPERES AT 240 VAC MAXIMUM. (Watt-Hour meter not included in short circuit current rating), WHEN 300 VOLT CLASS FUSES ARE INSTALLED. REPLACEMENT PULLOUT SWITCH MUST BE OF SAME TYPE, RATING & MANUFACTURER.

WIRE SIZE, kcmil or AWG	PHASE, LINE LOAD & NEUTRAL	SERVICE GROUND	EQUIPMENT GROUND	
			LARGE HOLE	SMALL HOLE
250-2/0	250	---	---	---
1/0 - 3	---	50	45	---
4	---	45	45	---
6	---	45	45	35
8	---	40	40	25
10 - 14	---	35	35	20

TORQUE TEST BLOCK CIRCUIT CLOSING (DISCONNECT) NUT (5/8" ACROSS FLATS) TO 50 LB-IN.


PULLOUT SWITCH LOAD: SIZE WIRE IN ACCORDANCE WITH DEVICE RATING AND WIRE BENDING SPACE. SEE MARKINGS ON PULLOUT FOR TORQUE REQUIREMENTS.

TERMINALS SUITABLE FOR USE WITH 60/75°C, AL/CU INSULATED WIRE

FOR EQUIPMENT GROUND BAR ORDER ECLX SERIES, FOR 5TH JAW ORDER UX005B, IF HUB IS REQUIRED SELECT FROM "HC" LIST BELOW, OR USE ECHCRXA ADAPTER WITH HUBS SELECTED FROM "RX" LIST BELOW.

HC TYPE HUBS		RX TYPE HUBS	
SIZE	CAT. NO.	SIZE	CAT. NO.
2"	ECHC200	1-1/2"	EC38598
2-1/2"	ECHC250	2"	EC38599
3"	ECHC300	2-1/2"	EC38600

© 2015 Copyright Siemens Industry, Inc.



**RAINPROOF COMBINATION METERING**

Description: **MTR SKT 200A 4T (2) HO**

CJD 11-07-16	DO NOT SCALE DRAWING	Dwg No:	MM0202F1200EY
--------------	----------------------	---------	---------------