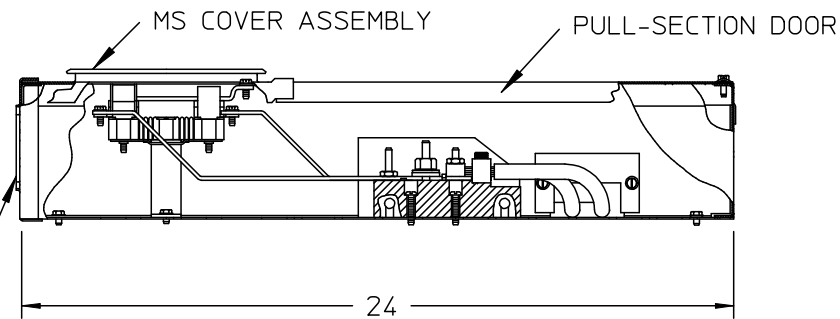


2-1/2, 2, 1-1/2,
1-1/4, 1 KO (2) PLACES

3-5/16 HUB OPENING



NOTES:

- 1) FINISH: GRAY
- 2) CABINET: 16 GA GALV STEEL
- 3) 100 AMP, 120/240 VAC, 1 PHASE, 3 WIRE
- 4) SEALING RING, HUB COVER PLATE ASY, & NEMA INSTR SHEET PLACED INSIDE OF BOX BEFORE PULL-SECTION COVER IS SECURED.
- 5) UL LISTED - FILE E27485
- 6) EUSERC DRAWING NUMBER 305A.

CATALOG NO. MM0202F1100CEY

TYPE 3R ENCLOSURE (RAINPROOF) TOP OR BOTTOM FEED.

PULLOUT SWITCH LOCATION SIDE

SUITABLE FOR USE AS SERVICE EQUIPMENT WHEN NOT MORE THAN SIX MAIN DISCONNECTING MEANS ARE PROVIDED. WHEN USED AS SERVICE EQUIPMENT, BOND NEUTRAL AND APPLY *SERVICE DISCONNECT* LABEL NEAR THE DISCONNECT HANDLE.

DEVICE RATING: 100 AMPS MAXIMUM; 120/240 VAC (4 JAW METER); SINGLE PHASE, THREE WIRE: OR 208Y/120 VAC (5 JAW METER), SINGLE PHASE, THREE WIRE.
METER SOCKET RATING: 100 AMPS CONTINUOUS.

THIS DEVICE HAS A MAXIMUM SHORT CIRCUIT RATING OF 100,000 RMS SYMMETRICAL AMPERES AT 240 VAC MAXIMUM. (WATTHOUR METER NOT INCLUDED IN THE SHORT CIRCUIT CURRENT RATING).
WHEN 300 VOLT CLASS T FUSES ARE INSTALLED, REPLACEMENT PULLOUT SWITCH MUST BE OF THE SAME TYPE, RATING AND MANUFACTURER.

TERMINAL RANGES - AWG AND TORQUE (LB-IN)
TERMINALS RATED AL/CU EXCEPT AS NOTED.
PHASE LINE: #2/0-6: TORQUE (110)
NEUTRAL LINE: #1/0-14:
TORQUE #1/0-3 (50), #4-6 (45), #6 (40), #10-14 (35)
NEUTRAL LOAD, SERVICE GROUND: #1/0-14CU, #1/0-12AL (LARGE TERMINALS):
TORQUE #1/0-6 (45), #8 (40), #10-14 (35)
EQUIPMENT GROUND: #6-14CU, #6-12AL (SMALL TERMINALS):
TORQUE #6 (35), #8 (25), #10-14 (20).
TEST BLOCK CCICUT CLOSING (DISCONNECT) NUT (5/8" ACROSS FLATS); TORQUE 50 LB-IN.

PULLOUT SWITCH LOAD: SIZE WIRE IN ACCORDANCE WITH DEVICE RATING AND WIRE BENDING SPACE. SEE MARKINGS ON PULLOUT FOR TORQUE REQUIREMENTS.

TERMINALS SUITABLE FOR USE WITH 60/75° C. AL/CU INSULATED WIRE.

FOR EQUIPMENT GROUND BAR ORDER ECLX SERIES, FOR 5TH JAW ORDER EC5J, IF HUB IS REQUIRED SELECT FROM LIST BELOW.
RX TYPE HUBS

SIZE	CAT. NO
1 1/4"	EC38597
1 1/2"	EC38598
2"	EC38599
2 1/2"	EC38600

© 2015 Copyright Siemens Industry, Inc.



RAINPROOF COMBINATION METERING

Description:
SKT 100A 1P HO EUSERC