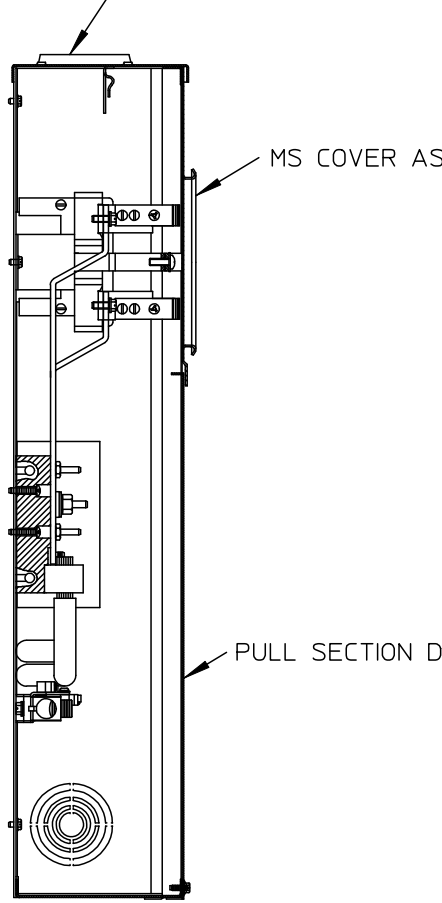
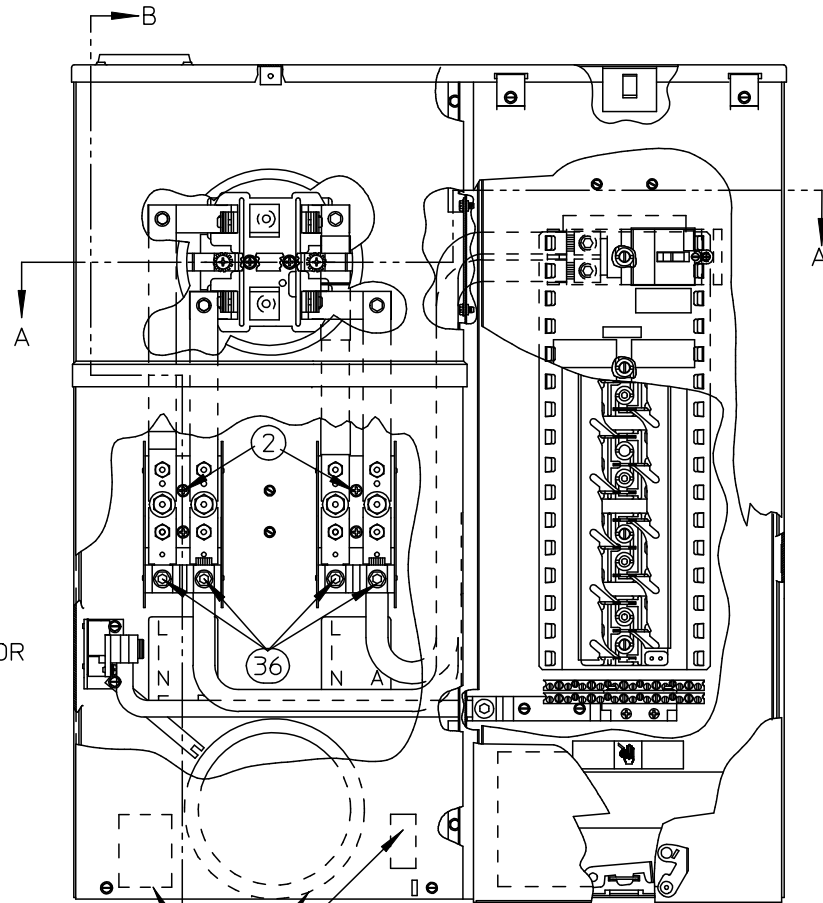


SECTION A-A

SIEMENS "HC" SERIES HUB OPENING, TALL

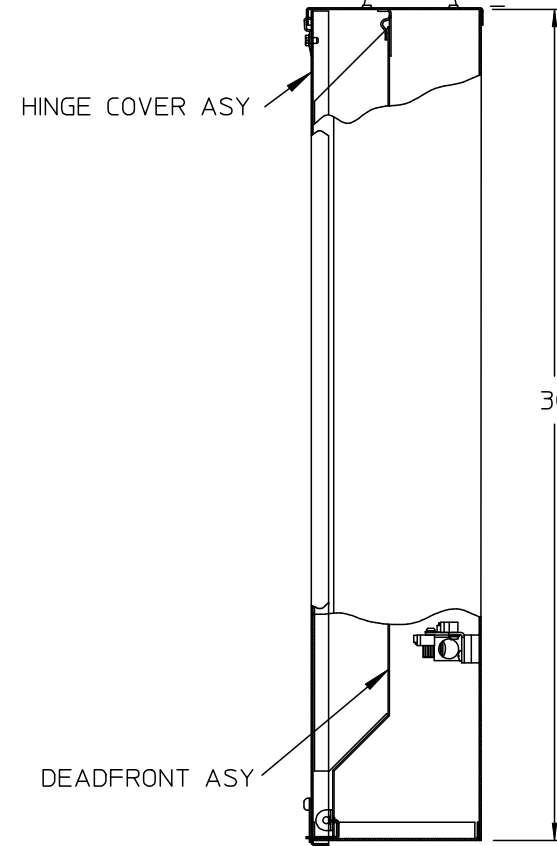


SECTION B-B



SEE NOTE 4

HINGE COVER ASY



DEADFRONT ASY

CATALOG NO. MC2440B1200CEY
 TYPE 3R ENCLOSURE (RAINPROOF) TOP OR BOTTOM FEED.
 SUITABLE ONLY FOR USE AS SERVICE EQUIPMENT.
 DEVICE RATING: 200 AMPS MAXIMUM, 120/240 VAC (4 JAW), SINGLE PHASE, THREE WIRE, OR 208Y/120 VAC (5 JAW), SINGLE PHASE, THREE WIRE. METER SOCKET RATING: 200 AMPS CONTINUOUS.

THIS DEVICE HAS A MAXIMUM SHORT CIRCUIT CURRENT RATING OF 22,000 RMS SYMMETRICAL AMPERES AT 240 VAC MAXIMUM. (Wait-Hour meter not included in short circuit current rating). THE ACTUAL RATING IS DEPENDENT ON THE BRANCH BREAKER INSTALLED IN THIS PANELBOARD AND THE SERVICE DISCONNECT MAIN BREAKER INSTALLED IN THIS PANELBOARD. THE CORRECT BRANCH BREAKER AND MAIN SERIES COMBINATIONS TO BE USED WITH THE VARIOUS SHORT CIRCUIT CURRENT RATINGS ARE LISTED IN THE TABULATION BELOW. ANY CIRCUIT BREAKER INSTALLED OR REPLACED IN THIS PANELBOARD MUST BE MANUFACTURED BY SIEMENS AND MUST BE OF THE CORRECT TYPE AS INDICATED IN THE TABULATION BELOW.

| MAX short circuit current rating in RMS symmetrical Amperes | *Installed Service Disconnect | Field Installed Branch Circuit Breaker Types |
|---|-------------------------------|---|
| 22,000 | Murray Type MD-HTR | Murray MP-T, MP-HT, MP-MT, MH-T, MP-GT, MP-HGT, MP-ET, MP-HET, MP-AT, MP-HAT, MP-HTR, MD-MTR |
| | Siemens Type QNRH | Siemens QP, QPH, HQP, QT, QPF & QPHF, QE, QEH, QAF, QAFH, QNRH, HQNR |
| 10,000 | Murray Type MD-TR | Murray MP-T, MP-HT, MP-MT, MH-T, MP-GT, MP-HGT, MP-ET, MP-HET, MP-AT, MP-HAT, MD-TR, MD-HTR, MD-MTR, TALON LQ |
| | Siemens Type QNR | Siemens QP, QPH, HQP, QT, QPF & QPHF, QE, QEH, QAF, QAFH, QNR, QNRH, HQNR, TALON LQ |

*Breakers rating must be greater than or equal to the device short circuit current rating.

TERMINALS SUITABLE FOR USE WITH 60/75°C, AL/CU INSULATED WIRE SIZE WIRE ONLY TO 60°C OR 75°C AMPACITY LIMITS AND IN ACCORDANCE WITH BREAKER MARKINGS AND WIRE BENDING SPACE REQUIREMENTS.

TERMINAL TIGHTENING TORQUES, LB-IN
 WIRE SIZE

| (kcmil or AWG) | □ | ⊠ | ○ | ◊ |
|----------------|-----|-----|-----|-----|
| 300 | --- | 250 | --- | --- |
| 250-2/0 | --- | 250 | --- | --- |
| 1/0 | --- | 250 | 45 | --- |
| 1-4 | --- | 250 | 45 | --- |
| 6 | --- | 250 | 45 | 35 |
| 8 | --- | --- | 40 | 25 |
| 10-14 | --- | --- | 35 | 20 |

TERMINAL WIRE RANGES (AWG)

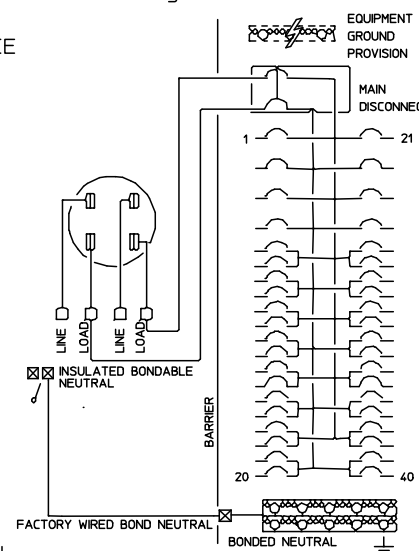
- = (1) 250-1/0
- ⊠ = (1) 300 - #6
- = (1) #1-14CU, #1-12AL OR (2 OR 3)* #10-14CU, #10-12AL
- ◊ = (1) #6-14CU, #6-12AL OR (2) #12-14CU, #12AL

TEST BLOCK CONTACT NUT (5/8" ACROSS FLATS): TORQUE TO 50 LB-IN.

*ONLY EQUIPMENT GROUND TERMINAL MAY USE MORE THAN ONE CONDUCTOR PER TERMINAL.

FOR EQUIPMENT GROUND BAR ORDER ECLX SERIES, FOR 5TH JAW ORDER UX005B, FOR 1" FILLER PLATE ORDER ECQF3, FOR MD OR QN FILLER PLATE ORDER LX400FP IF HUB IS REQUIRED SELECT FROM "HC" LIST BELOW, OR USE ECHCRXA ADAPTER WITH HUBS SELECTED FROM "RX" LIST BELOW.

| HC TYPE HUBS | | RX TYPE HUBS | |
|--------------|----------|--------------|----------|
| SIZE | CAT. NO. | SIZE | CAT. NO. |
| 2" | ECHC200 | 1-1/2" | EC38598 |
| 2-1/2" | ECHC250 | 2" | EC38599 |
| 3" | ECHC300 | 2-1/2" | EC38600 |



NOTES:

- 1) FINISH: GRAY
- 2) CABINET BACK IS FABRICATED FROM 14GA. GALVANIZED STEEL, FRONTS FABRICATED FROM 16GA. GALVANIZED STEEL.
- 3) 200AMP CONTINUOUS, 120/240 VAC, 1 PHASE, 3 WIRE
- 4) SEALING RING, HUB COVER PLATE ASY, AND NEMA INSTRUCTION SHEET PLACED INSIDE BOX BEFORE PULL SECTION DOOR IS SECURED.
- 5) UL LISTED - FILE E27485
- 6) EUSERC DRAWING NUMBER 305A

© 2015 Copyright Siemens Industry, Inc.

TALON

RAINPROOF COMBINATION METERING

Description:

MTR SKT 200A 4T HO EUSERC

CJD 11-03-16 DO NOT SCALE DRAWING Dwg No: MC2440B1200CEY