

7  
6  
5  
4  
3  
2  
1

# SIEMENS

## Rainproof Combination Metering

Enclosure  
**Type 3R**

Catalog Number  
**MC0816B1200RTD**

Panelboard Rating:  
200 Amps Max. - see service disconnect rating  
120/240 Volts ~ 1 Phase, 3 Wire  
208Y/120 Volts ~ 1 Phase, 3 Wire, with 5th jaw installed  
(Derived from 3 phase - 4 wire system)  
Meter Socket Rating: 200 Amps Continuous

FOR UNDERGROUND SERVICE ONLY

For installation by a qualified person in accordance with all local electrical codes and/or the National Electrical Code.®

**SUITABLE ONLY FOR USE AS SERVICE EQUIPMENT.**

**USE COPPER OR ALUMINUM 60°/75°C WIRE**

SEE BREAKER MARKINGS FOR WIRE SIZE AND TORQUE REQUIREMENTS.

| TERMINALS  | WIRE                                  | TORQUE                              |
|--|---------------------------------------|-------------------------------------|
| A1, B1, N1   | #6 AWG - 350 kcmil                    | 250 LB-INS                          |
| A2, B2, FEED-THRU TERMINALS  | #4 AWG - 250 kcmil                    | 250 LB-INS                          |
| N2   | #6 AWG - 250 kcmil                    | 250 LB-INS                          |
| NEUTRAL/GROUND BARS<br>(USE TYPE ECGB GROUND<br>BAR KIT ACCESSORY) | 10-14 CU/10-12 AL<br>8 AWG<br>6-4 AWG | 20 LB-INS<br>25 LB-INS<br>35 LB-INS |
| GROUND CONDUCTORS ONLY   | (2)or(3) 14 AWG<br>(2) 12-10 AWG      | 20 LB-INS<br>20 LB-INS              |

All unused neutral branch terminals can be used as equipment grounding wire terminals in the combinations listed above for ground conductors.

Maximum breaker size on left side:  
60°C Wire: CU 55A, AL 40A  
75°C Wire: CU 65A, AL 50A

General Information:

Remove twistouts from trim only where breakers will be installed. All openings must be filled with breakers or filler plates. Circuit breaker overload trip position is indicated by handle position midway between ON and OFF. To reset, move handle to OFF position then turn ON.

**Short Circuit Current Rating** (Without Meter not included in short circuit current rating). This panelboard has a maximum short circuit rating of 22,000 RMS symmetrical amperes, 120/240 volts with Siemens type EQ9683 or EQ9685 main breaker installed. Any branch circuit breaker installed, replaced or added in this panelboard must be manufactured by Siemens and must be of the types listed below.

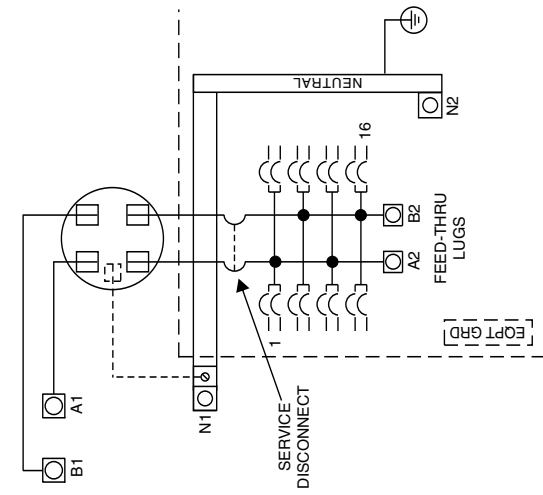
|                         |   |  |
|-------------------------|---|--|
| MAIN BREAKER            | BRANCH BREAKER  | THEN THE MAXIMUM SHORT CIRCUIT CURRENT RATING IN RMS |
| WHEN MAIN BREAKER IS: * | AND THE BRANCH BREAKERS INSTALLED ARE TYPE:           | SYMMETRICAL AMPERES, 120/240V ~ IS:                  |
| EQ9683, EQ9685          | QP, QPH, HQP, QT, QAF, QAFH, QPF, QPHF, QE, QEH, QNRH | 22,000   |

\* Replacement main breakers: MBK150 or MBK200

**Warning:** This equipment has been designed for use only with circuit breakers listed above. Use of other circuit breakers in this equipment could result in personal injury or property damage and will void the warranty.

**Important:** Do not allow petroleum based (hydrocarbon) sprays, chemicals, solvents or any paint to contact interior components. Petroleum based chemicals can cause degradation of electrical insulating materials.

Siemens Industry, Inc. Building Technologies Division Norcross, Georgia U.S.A. **J2** 409001900101 Rev.A  
Assembled in Mexico



If hub is required, use the catalog numbers listed below:  
**Trade size (in)**    **Catalog number**  
1/2"    HC Type Hub (bottom enoval)  
2"    ECHC200  
2 1/2"    ECHC250  
3"    ECHC300

Accessories:  
Filler Plate Cat. No. QF3 or ECOF3  
2/0-#4 Lug kit: ECLK1-2 (Torque 45 Lb-Ins.)  
5th Jaw Assembly: EC5J2  
Mechanical Breaker Interlock: EC5BPK08  
Meter Socket Jumper: ECJS  
Equipment Grounding Bar: ECGB10  
Tighten Equipment Ground Bar Terminals to the torque shown in neutral bar table for the wire installed.

### NOTES:

1. PRINT COLOR: BLACK
2. LABEL SIZE: 8.75 X 6.25
3. MATERIAL: PER SPEC P23574

|   |                                  |                            |
|---|----------------------------------|----------------------------|
| DESIGN RESPONSIBILITY LOCATION:<br><b>SII-NORCROSS</b>                          |                                  |                            |
| PRINT DISTRIBUTION  |                                  |                            |
| ECN COPIES MUST BE ISSUED TO ALL CHECKED LOCATIONS FOR APPROVAL PRIOR TO CHANGE |                                  |                            |
| <input type="checkbox"/> SII-NOR  | <input type="checkbox"/> DUR-LEB | <input type="checkbox"/> * |
| <input checked="" type="checkbox"/> SII-IT2                                     | <input type="checkbox"/> DUR-HOU | <input type="checkbox"/> * |
| <input type="checkbox"/> SII-IT1  | <input type="checkbox"/> McPHER  | <input type="checkbox"/> * |

| 09-209J2-01 | A   | 2/23/10 | ISSUE       | KAM |
|-------------|-----|---------|-------------|-----|
| ECN NO.     | REV | DATE    | DESCRIPTION | BY  |

UNLESS OTHERWISE SPECIFIED DIMENSIONS ARE IN INCHES  
TOLERANCES:  
.XX ±.12  
.XXX  
HOLE DIAMETER ±.005  
ANGULAR  
UNDIMENSIONED 90° ANGLES ±0°30'

|      |     |      |          |
|------|-----|------|----------|
| DWN  | KAM | DATE | 11/11/09 |
| CHK  | GME | DATE | 2/23/10  |
| APVD |     | DATE |          |

-CONFIDENTIAL- PROPERTY OF  
**Siemens Industry, Inc.**  
Building Technologies Division

## WIRING DIAGRAM

|          |                   |                      |                 |        |          |
|----------|-------------------|----------------------|-----------------|--------|----------|
| SIZE     | ISSUE RELEASE NO. | DWG. NO.             | <b>40900190</b> | REV    | <b>A</b> |
| <b>B</b> | 09-209J2-01       |                      |                 |        |          |
| SCALE    | 1:1               | DO NOT SCALE DRAWING | SHEET           | 1 OF 1 |          |