

7
6
5
4
3
2
1

SIEMENS

Rainproof Combination Metering

Enclosure
Type 3R

Catalog Number
MC0606L1200RAD

Panelboard Rating:
200 Amps Max. - see service disconnect rating
120/240 Volts~ 1 Phase, 3 Wire
208Y/120 Volts~ 1 Phase, 3 Wire with 5th jaw installed
(Derived from 3 phase - 4 wire system)
Meter Socket Rating: 200 Amps Continuous

All Circuit Breakers are Service Disconnects.
Use Two-Pole Breakers Only.

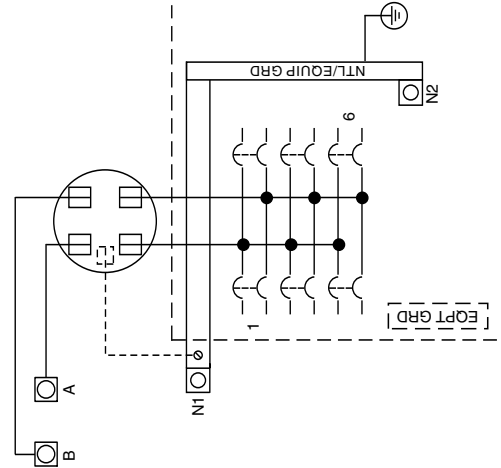
FOR UNDERGROUND SERVICE ONLY
For installation by a qualified person in accordance with all local electrical codes and/or the National Electrical Code®

SUITABLE ONLY FOR USE AS SERVICE EQUIPMENT.

Install no more than 6 main disconnecting means.

USE COPPER OR ALUMINUM 60°/75°C WIRE

SEE BREAKER MARKINGS FOR WIRE SIZE AND TORQUE REQUIREMENTS.



TERMINALS	WIRE	TORQUE
A, B, N1	#6 AWG - 350 kcmil	250 LB-INS
N2	#6 AWG - 250 kcmil	250 LB-INS
GROUND BARS (USE TYPE ECGB GROUND BAR KIT ACCESSORY)	10-14 CU/10-12 AL 8 AWG 6-4 AWG	20 LB-INS 25 LB-INS 35 LB-INS
GROUND CONDUCTORS ONLY	(2)or(3) 14 AWG (2) 12-10 AWG	20 LB-INS 20 LB-INS

Neutral Bar Wire Size.
Suitable for 60°/75°C Conductors.

TERMINALS	WIRE	TORQUE
SMALL TERMINALS	10 - 14 AWG 8 AWG 6 AWG	20 LB-IN 25 LB-IN 35 LB-IN
LARGE TERMINALS	10 - 14 AWG 8 AWG 1/0 - 6 AWG	35 LB-IN 40 LB-IN 45 LB-IN

All unused neutral bar terminals may be used to terminate equipment grounding wires.

Maximum breaker size on left side.
60°C Wire: CU 55A, AL 40A
75°C Wire: CU 65A, AL 50A

General Information:

Remove twistouts from trim only where breakers will be installed. All openings must be filled with breakers or filler plates. Circuit breaker overload trip position is indicated by handle position midway between ON and OFF. To reset, move handle to OFF position then turn ON.

If hub is required, use the catalog numbers listed below:
Trade size (in) Catalog number
HC Type Hub (bottom endval)/
2" ECHC200
2 1/2" ECHC250
3" ECHC300

Accessories:
Filler Plate Cat. No. QF3 or ECQF3
2/0-#4 Lug kit: ECLK2SC (Torque 45 Lb-Ins.)
5th Jaw Assembly: EC5J2
Mechanical Breaker Interlock: ECQML12
Meter Socket Jumper: ECJS
Equipment Grounding Bar: ECGB10

BRANCH BREAKER	THE MAXIMUM SHORT CIRCUIT CURRENT RATING IN RMS SYMMETRICAL AMPERES, 120/240V~ IS:
QP, QPH, HQP, QPF, QPHF, QAF, QAFH, QNR, QNRH	10,000

Short Circuit Current Rating (Without Meter not included in short circuit current rating). This panelboard has a maximum short circuit rating of 10,000 RMS symmetrical amperes, 120/240 V~ maximum. Any branch circuit breaker installed, replaced or added in this panelboard must be manufactured by Siemens and must be of the types listed in chart.

Warning: This equipment has been designed for use only with circuit breakers listed above. Use of other circuit breakers in this equipment could result in personal injury or property damage and will void the warranty.

Important: Do not allow petroleum based (hydrocarbon) sprays, chemicals, solvents or any paint to contact interior components. Petroleum based chemicals can cause degradation of electrical insulating materials.

Siemens Industry, Inc. Building Technologies Division Norcross, Georgia U.S.A. J2 409001910101 Rev.B
© The National Electrical Code is a registered trademark of the National Fire Protection Association.
Assembled in Mexico

NOTES:

1. PRINT COLOR: BLACK
2. LABEL SIZE: 8.75 X 6.25
3. MATERIAL: PER SPEC P23574

DESIGN RESPONSIBILITY LOCATION: SII-NORCROSS		
PRINT DISTRIBUTION		
ECN COPIES MUST BE ISSUED TO ALL CHECKED LOCATIONS FOR APPROVAL PRIOR TO CHANGE		
<input type="checkbox"/> SII-NOR	<input type="checkbox"/> DUR-LEB	<input type="checkbox"/> *
<input checked="" type="checkbox"/> SII-IT2	<input type="checkbox"/> DUR-HOU	<input type="checkbox"/> *
<input type="checkbox"/> SII-IT1	<input type="checkbox"/> McPHER	<input type="checkbox"/> *

ECN NO.	REV	DATE	DESCRIPTION	BY
10-047J2-02	B	5/13/10	CORRECTIONS TO SCHEMATIC, REVISE TABLES, ADD BREAKERS TO SHORT CKT RATING CHART	KAM
10-047J2-01	A	2/23/10	ISSUE	KAM

UNLESS OTHERWISE SPECIFIED DIMENSIONS ARE IN INCHES		
TOLERANCES: .XX ±.12 .XXX		
HOLE DIAMETER ±.005 ANGULAR UNDIMENSIONED 90° ANGLES ±0°30'		
DWN	KAM	DATE 11/11/09
CHK	GME	DATE 2/23/10
APVD		DATE

-CONFIDENTIAL- PROPERTY OF Siemens Industry, Inc. Building Technologies Division			
WIRING DIAGRAM			
SIZE B	ISSUE RELEASE NO. 10-047J2-01	DWG. NO. 40900191	REV B
SCALE 1:1	DO NOT SCALE DRAWING	SHEET 1 OF 1	