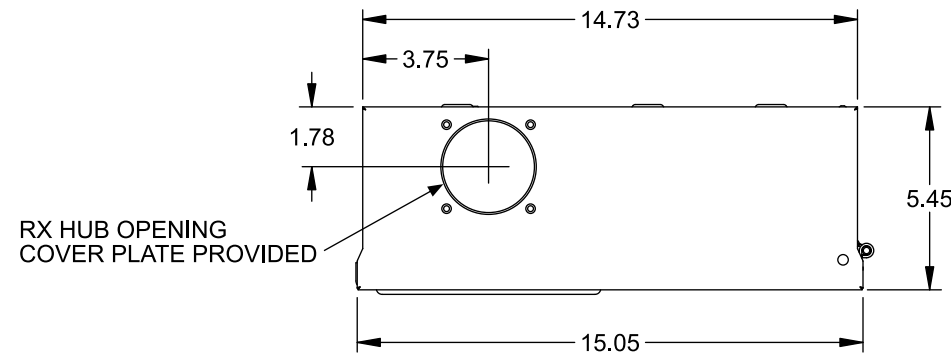


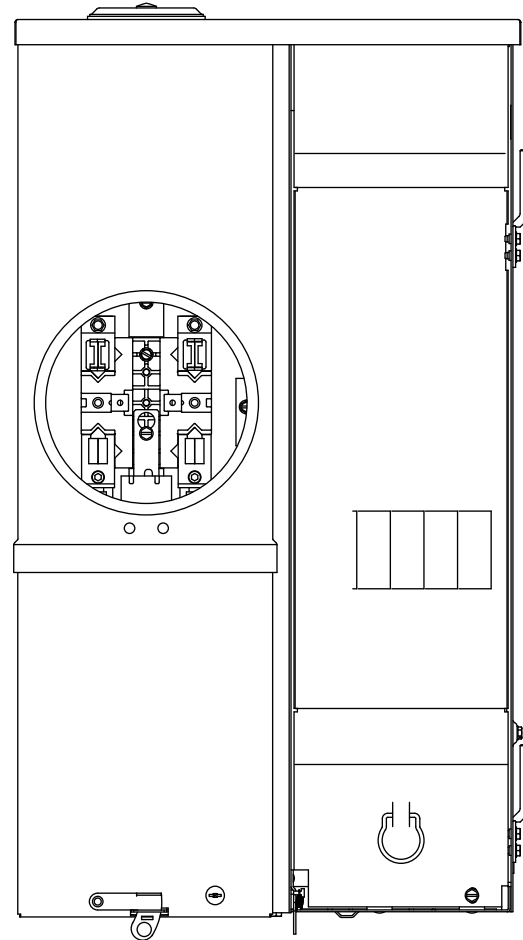
Catalog Number: MM0406L1125ESC

Features and Ratings

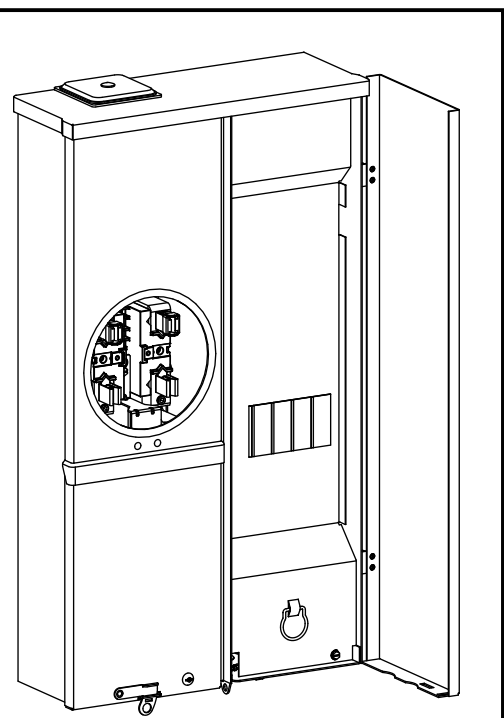
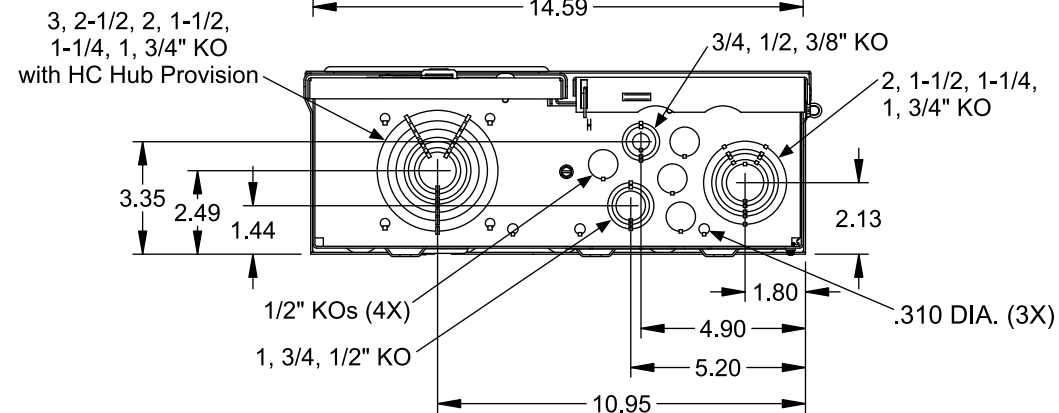
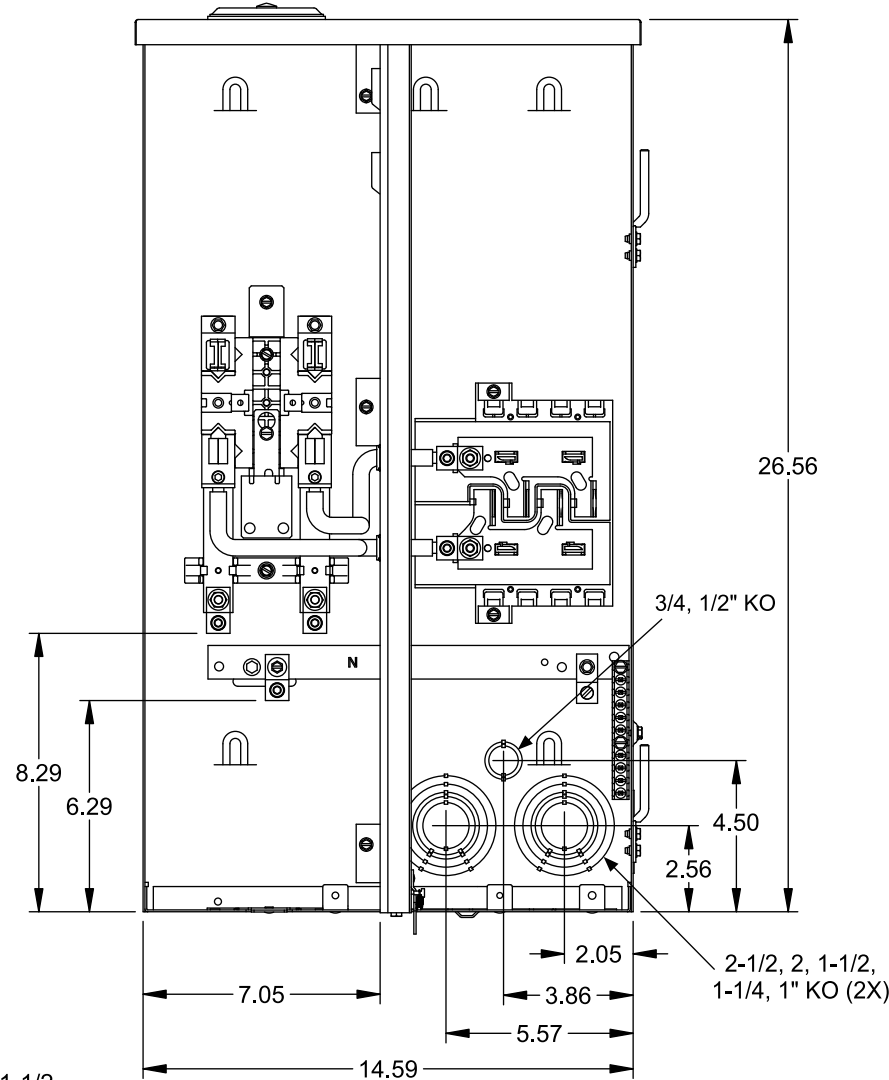
- Outdoor Enclosure (NEMA Type 3R)
- Ring Type Meter Cover
- Meter Socket Rating: 125A Continuous
- 125A Max, 1 Phase, 3 Wire, 120/240V~, 120/208V~
- 22,000 AIC Max. Rated (See Wiring Diagram for Details)
- Aluminum Bus Bars
- Overhead or Underground Service Entrance
- Surface Mounting
- Complies with EUSERC Dwg. No. 301



View Shown Without Door



View Shown Without Covers, Door, Deadfront

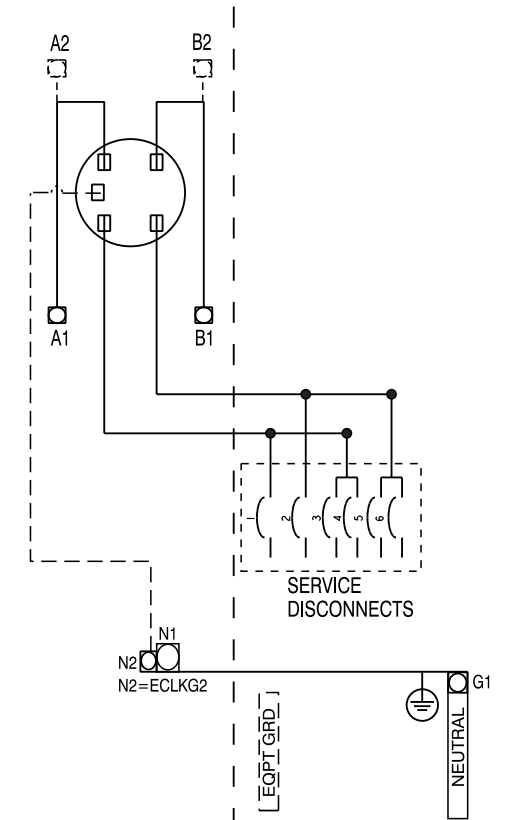


Accessories, Torques & Wire Sizes

Trade size (in)	Catalog number
<i>RX Type Hub (top endwall)</i>	
1 1/4"	EC38597
1 1/2"	EC38598
2"	EC38599
2 1/2"	EC38600
RX Cover Plate	EC38595
<i>HC Type Hub (bottom endwall)</i>	
2"	ECHC200
2 1/2"	ECHC250
3"	ECHC300

Accessories:	Cat. No.	
Filler Plate	ECQF3	
5th Jaw Assembly	EMC5J	
Meter Socket Jumper	ECJS	
Mechanical Interlock	ECQML12	
Ground Bar Cat#	Taps	
ECGB5	5	
ECGB10	10	
ECGB14	14	
Lug Kit	Wire Range	Torque
ECLKG2	2/0-#14	50 lb-in.
ECLK2	2/0 - #4	135 lb-in.

Schematic



This equipment has been designed for use only with Siemens Type QP, QPH, QT, QPF, QPHF, QE, QEH, QAF, QAFH, MP-T, MP-HT, MH-T, MP-GT, MP-HGT, MP-ET, MP-HET, MP-AT, and MP-HAT circuit breakers.

Terminal	Wire Size	Torque
A1, B1, A2, B2	2/0 - #4	110 lb-in
N1	2/0 - #4	110 lb-in
G1, N2	2/0 - #14	50 lb-in
Branch Breaker Terminals	See Markings on Breaker	

Line terminals A1 and B1 are installed for underground service entry as shown in the wiring diagram. For overhead entry, service bus may be repositioned.

© 2015 Copyright Siemens Industry, Inc.

SIEMENS
Siemens Industry, Inc.

Meter/Main Combination

Description:
125A, Main Lug, 6 Ckt, OH/UG, Surf Mount

KAM 4/2/15 Fam G DO NOT SCALE DRAWING Dwg. No. **MM0406L1125ESC**