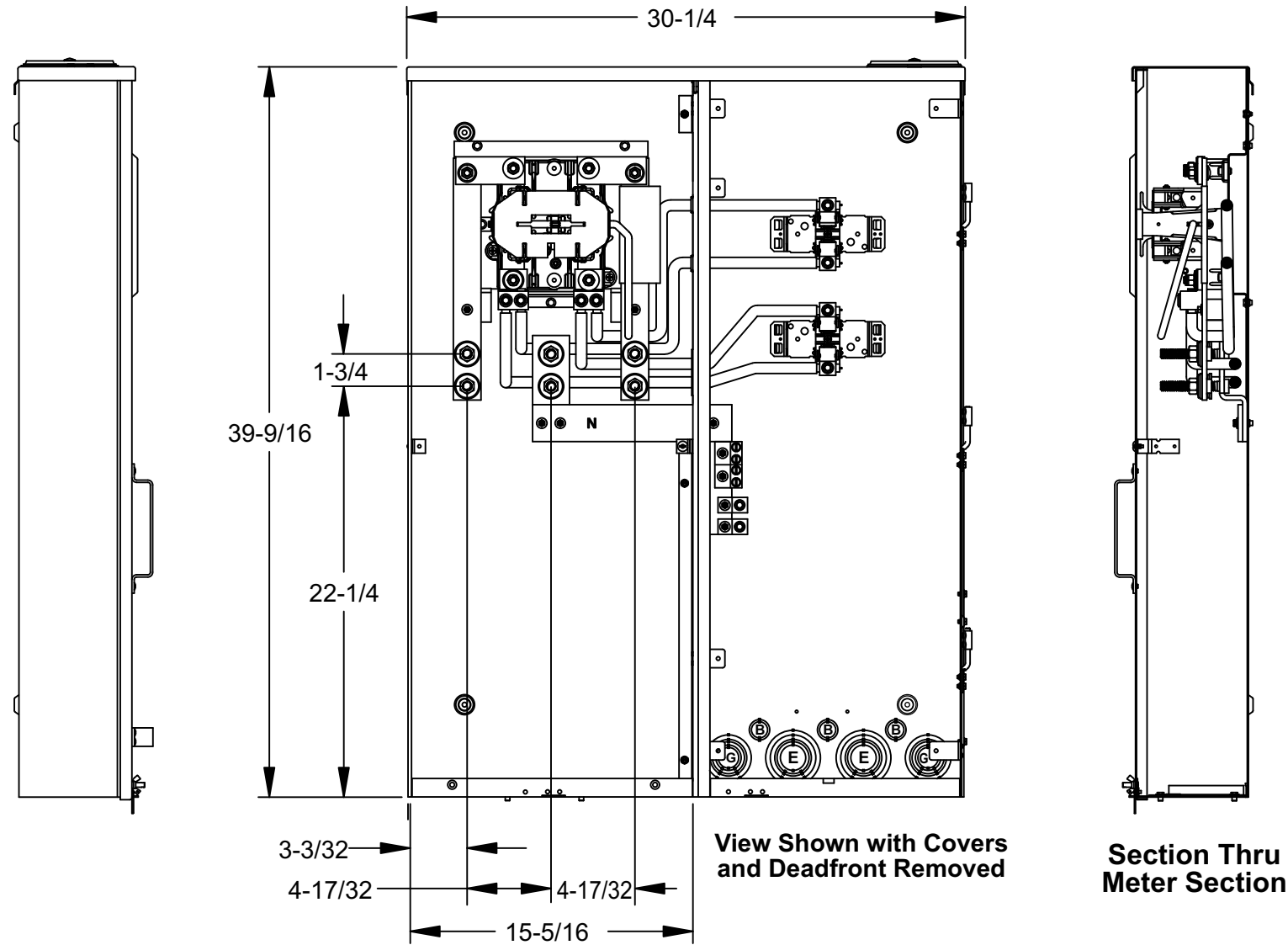
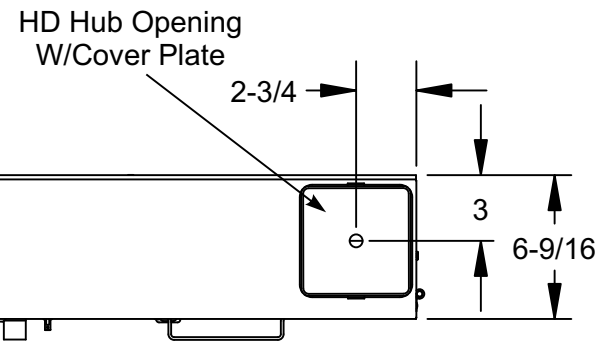


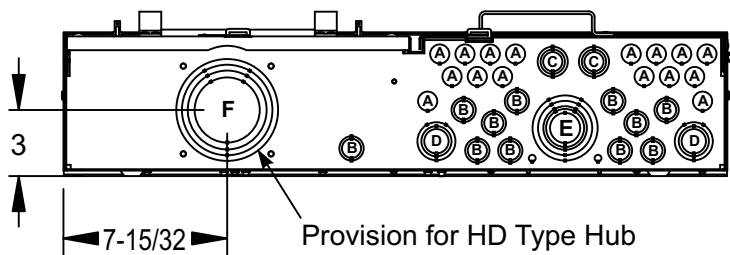
Catalog Number: MM0202L1400SDL

Features and Ratings

- 400 Amps Max, 22K AIC Max Rated
- (2) Provisions for 200A Max. Field Installed Breakers
- 1 Phase, 3 Wire 120/240V AC
- 320 Amps Continuous, Lever Bypass Meter Socket
- For Underground Service



Knockouts (inches)	
A:	1/2
B:	1/2, 3/4
C:	1/2, 3/4, 1
D:	3/4, 1, 1-1/4
E:	1, 1-1/4, 1-1/2, 2, 2-1/2
F:	2-1/2, 3, 3-1/2
G:	3/4, 1, 1-1/4, 1-1/2, 2



Accessories

Accessories:	Catalog No.:
Filler Plate	QF3 or ECQF3
5th Jaw for Lever	
Bypass Socket	H35815-2
Flush Rail Kit	ECFRK1
200 Amp Main Breaker	QN2200RH
150 Amp Main Breaker	QN2150RH
LUG #6-350 kcmil	SUK350TA
LUG #2-600 kcmil	SUK600TA
LUG 500-1000 kcmil	SUK1000TA
Equip. Ground Bar	Type ECGB

Type HD Hubs

Trade size (in)	Catalog No.
2"	EC56854
2 1/2"	EC56855
3"	EC56856
3 1/2"	EC56857
4"	EC56858
Closure Plate	EC56933S

Wire Sizes and Torques

(see schematic)

Line Terminals:

Provisions for UL listed one or two hole NEMA mounting terminals. Use mechanical lugs listed in accessory chart or compression terminals to #750 kcmil, single conductor, ILSCO type ACL or 2ACL.
 Installation Tool : THOMAS & BETTS # TBM8 for #10-350kcmil(AL), #8-500kcmil(CU) TBM8-750M-1 for #8-750kcmil(CU/AL)

Tightening Torques:

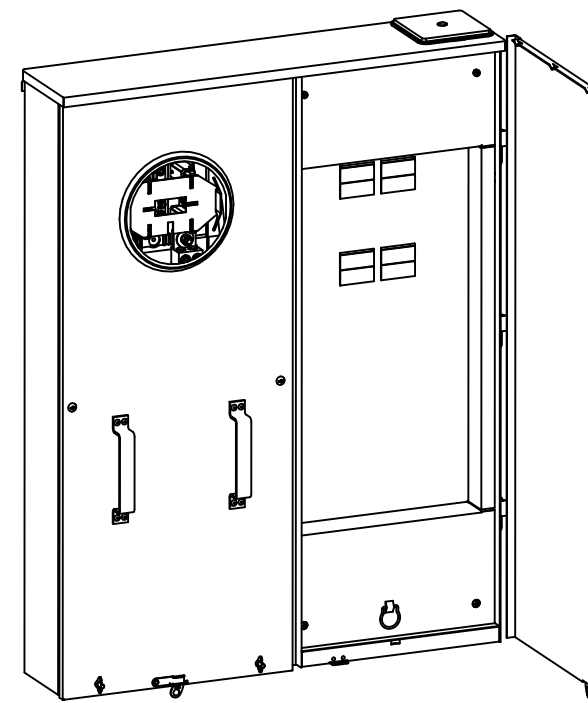
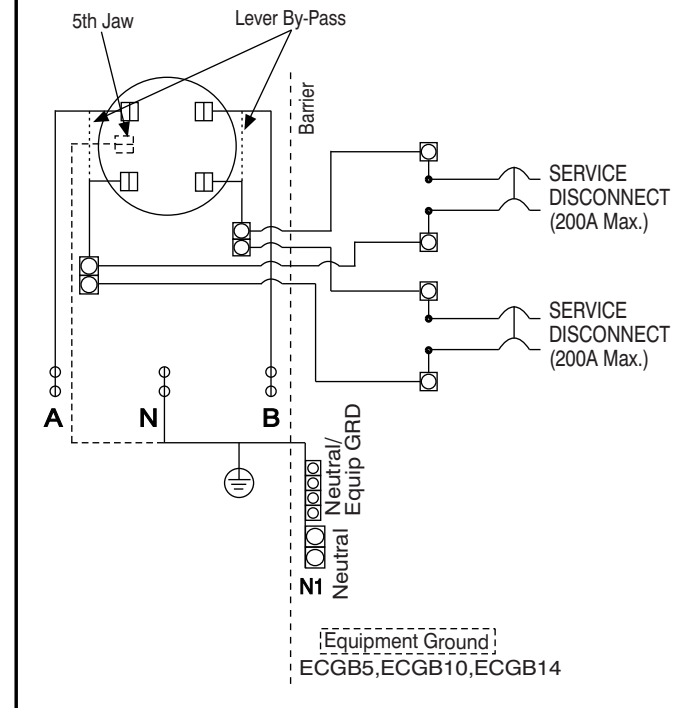
5/16" Nuts(1/2" Drive)....130-140 in-lbs
 3/8" Nuts(9/16" Drive)....240-260 in-lbs
 1/2" Nuts(3/4" Drive)490-540 in-lbs

Line, Neutral and Ground Terminals		
Terminal	Wire Size	Torque
A, B, N		
SUK350TA	(2) #6-350 kcmil	275 lb-ins
SUK600TA	#2-600 kcmil	375 lb-ins
SUK1000TA	500-1000 kcmil	500 lb-ins
N1	#4 - 300 kcmil	250 lb-ins
Branch Brkr Terminals	See Markings on Breaker	
Neutral/ Equip GRD (2/0-14)	#10 - #14 CU	35 lb-ins
	#10 - #12 AL	35 lb-ins
	#8	40 lb-ins
	2/0 - #6	45 lb-ins

Ground Terminal Size	Wire Range	Torque
#4-#14 (ECGB)	(1, 2 or 3) #14, #8	20 lb-ins
	(1 or 2) #12-#10	20 lb-ins
	#6-#4	25 lb-ins
		35 lb-ins

Only Equipment Ground Terminals may use more than one wire per terminal.

Schematic



© 2010 Copyright Siemens Industry, Inc.

Siemens Industry, Inc.
 Building Technologies Division

Meter Main

Description:		400A Lever Bypass UG	
Size B	Dwg. No.	MM0404L1400SDL	
Dwn	KAM	Date	5/10/10
DO NOT SCALE DRAWING		SHEET 1 OF 1	