

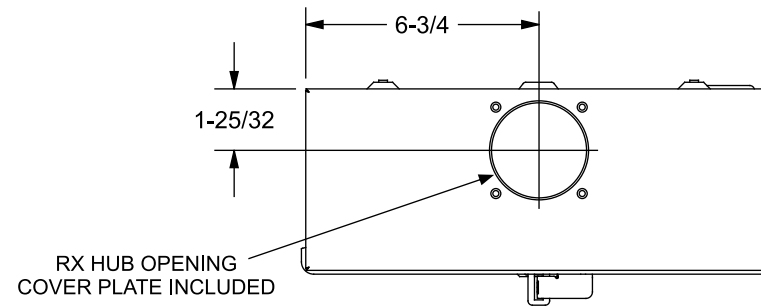
Catalog Numbers:

MM0303B3100RLC - 100A Main Breaker Factory Installed

MM0303L3100RLC - Main Breaker must be field installed

Features and Ratings

- 100A Continuous Rating, Type MQ Lever Bypass Clamp Jaw Meter Socket
- Ringless Type Meter Cover
- 3 Phase, 4 Wire
- 100A 3 Pole Circuit Breaker Factory Installed
- Suitable Only For Use as Service Equipment
- For Overhead or Underground Service
- Barrel Lock Bracket and KO (7/16")



Accessories

Hub Cover Plate:
Cat. No. EC38595

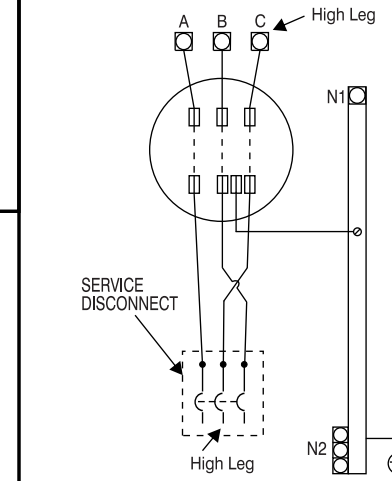
CONDUIT HUBS (RX)	
TRADE SIZE	CAT. NO.
1-1/4 INCH	EC38597
1-1/2 INCH	EC38598
2 INCH	EC38599
2-1/2 INCH	EC38600

Wire Sizes and Torques

(see schematic)

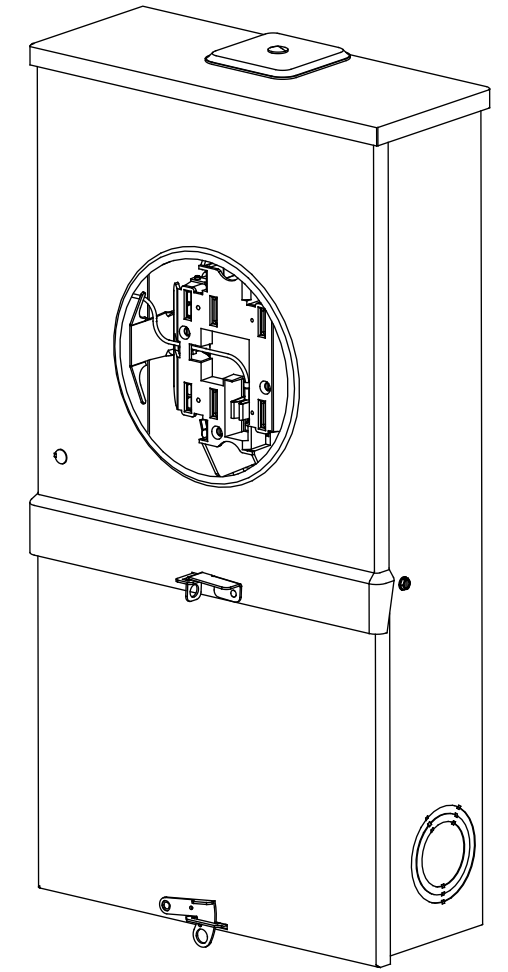
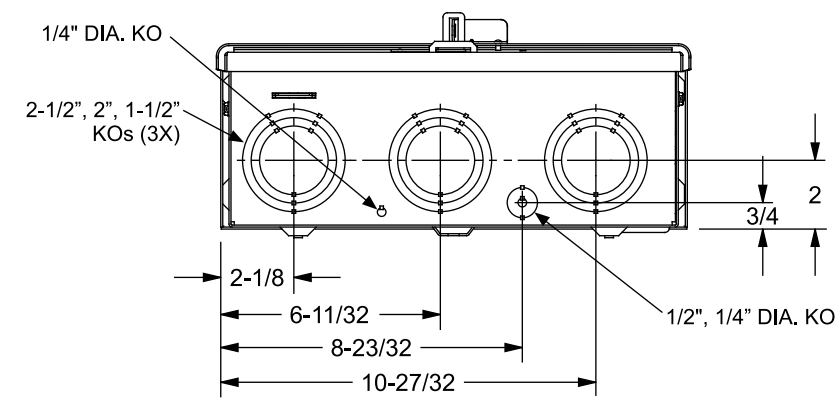
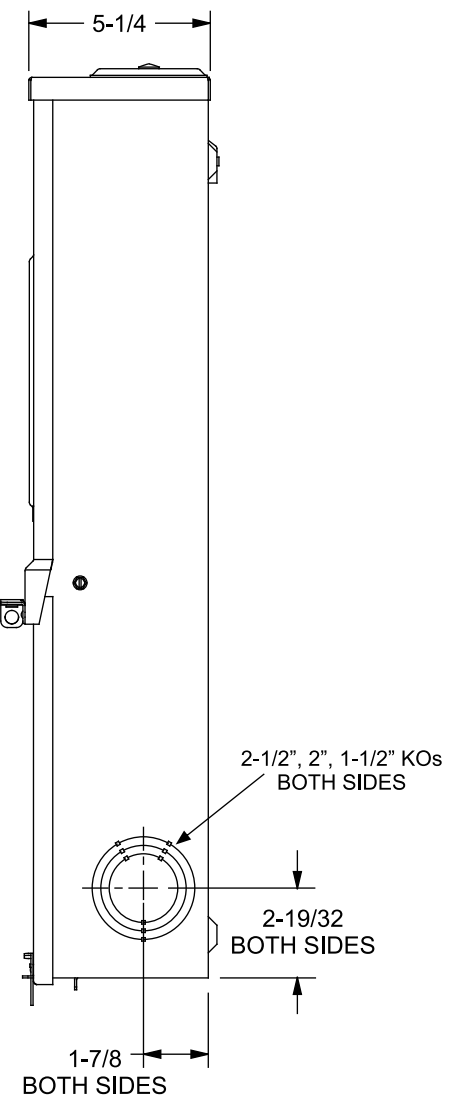
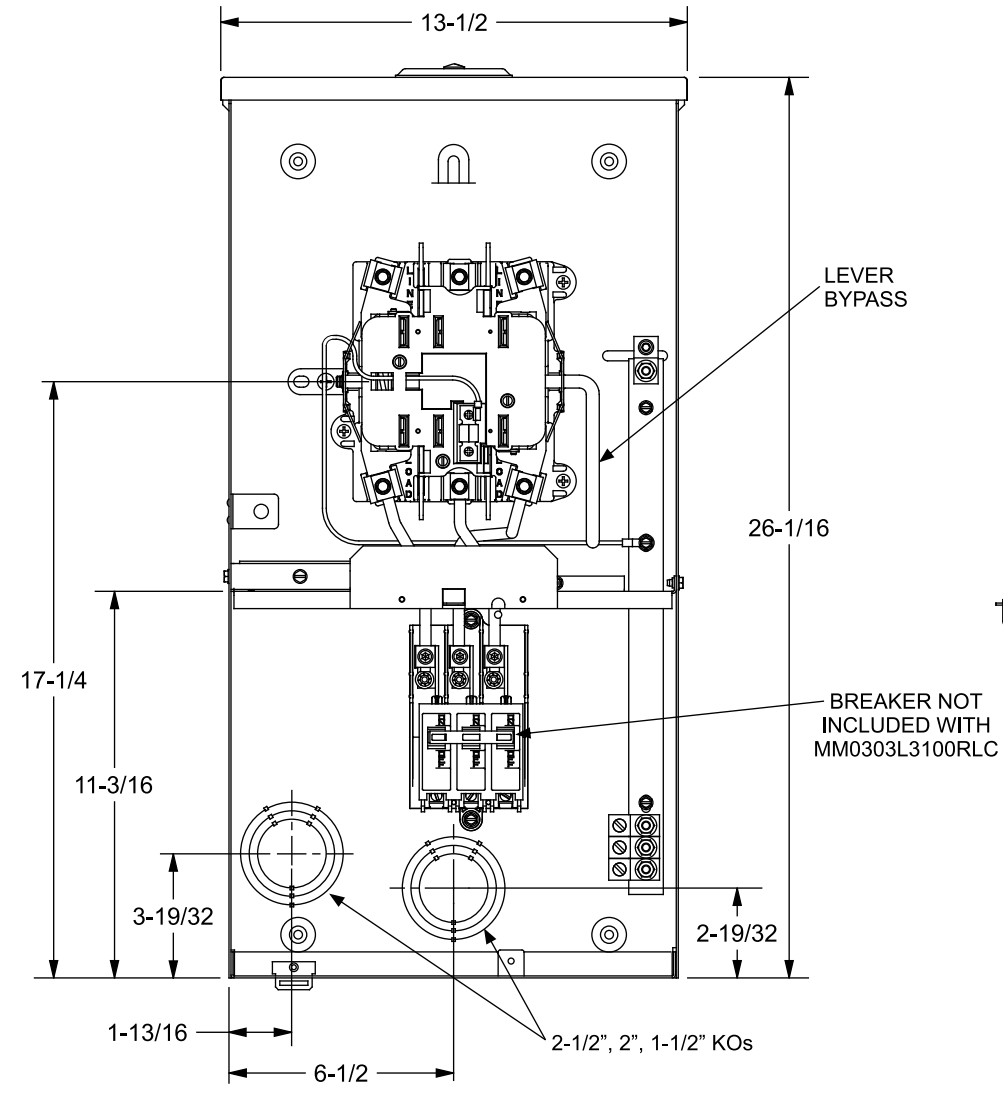
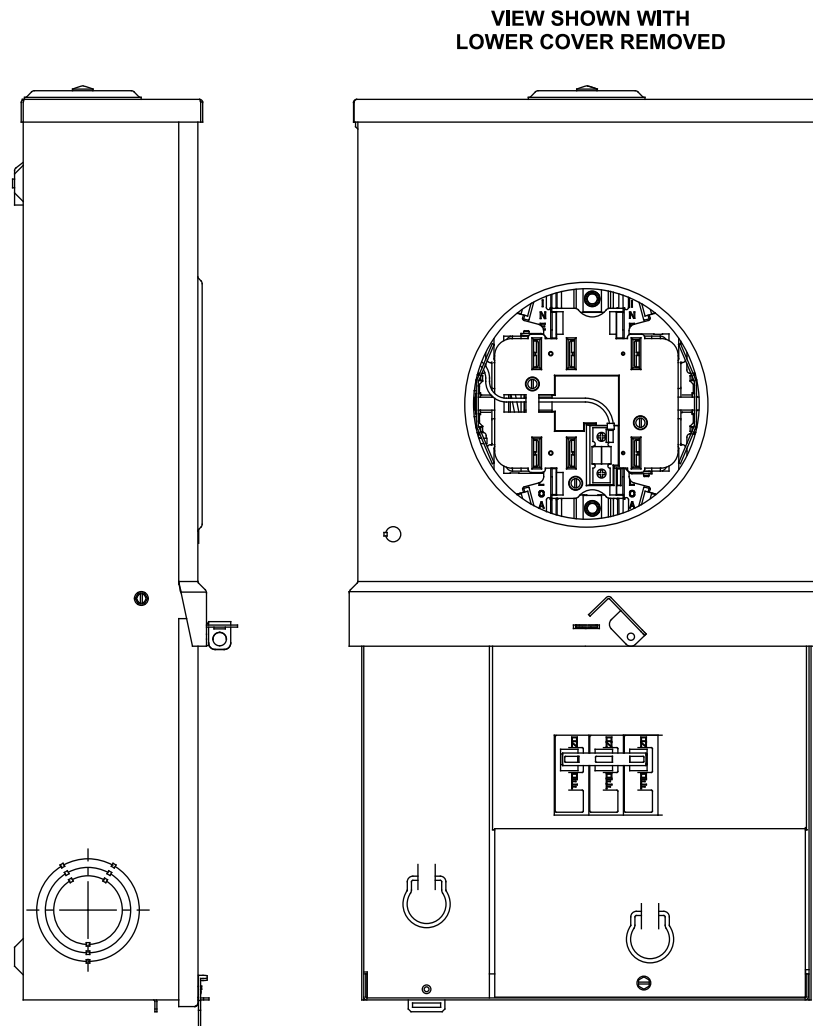
TERMINAL	WIRE SIZE	TORQUE
A, B, C	2/0 - #6 AWG	50 lb-in
N1	2/0 - #4 AWG	110 lb-in
N2	2/0 - #14 AWG	50 lb-in
Branch Breaker	See Markings on Breaker	

Schematic



Catalog Number MM0303B3100RLC Shown

VIEW SHOWN WITH DEADFRONT, TROUGH, AND COVERS REMOVED



© 2011 Copyright Siemens Industry, Inc.

Siemens Industry, Inc.
Building Technologies Division

Meter/Main Breaker Combination

Description:
100A, 7 Jaw, MQ Lever Bypass, OH/UG Feed

Size B	Dwg. No. MM0303B/L3100RLC
Dwn KAM	Date 7/15/11
DO NOT SCALE DRAWING	
SHEET 1 OF 1	