

# Catalog Number: MM0202L1200JLX

## Features and Ratings

- UL Listed
- 200A Continuous Rating, Type HQ  
Lever Bypass Meter Socket
- For Overhead or Underground Service
- Provision for 200A Max. Field Installed Main Breaker
- 5th Jaw Factory Installed in 9 O'Clock Position

## Hubs

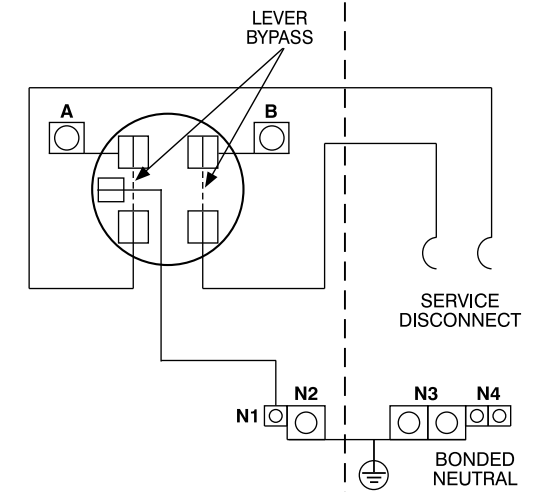
Trade size (in)	Catalog number
<i>RX Type Hub (top endwall)</i>	
1 1/4"	EC38597
1 1/2"	EC38598
2"	EC38599
2 1/2"	EC38600
<i>HC Type Hub (bottom endwall)</i>	
2"	EHC200
2 1/2"	EHC250
3"	EHC300

## Wire Sizes and Torques

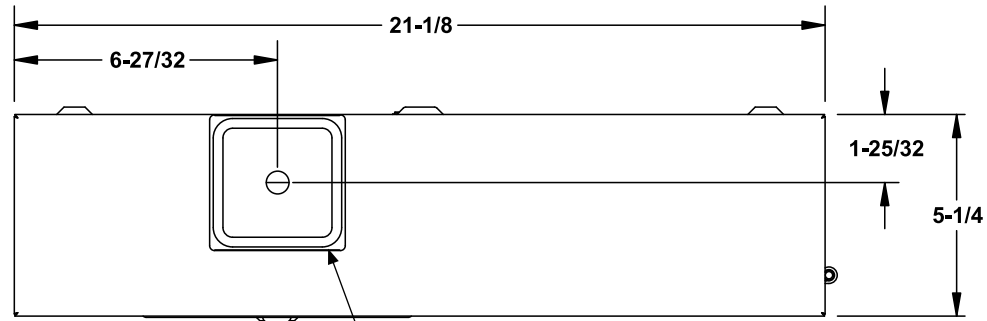
(see schematic)

Terminal	Wire Size	Torque
A, B	250 kcmil - #6	275 lb in
N1	#2-#3	50 lb in
	#4-#6	45 lb in
N2	#8	40 lb in
	#10-#14	35 lb in
N3	250 kcmil - #6	275 lb in
N4	250 kcmil - #4	275 lb in
N4	1/0-#14	120 lb in

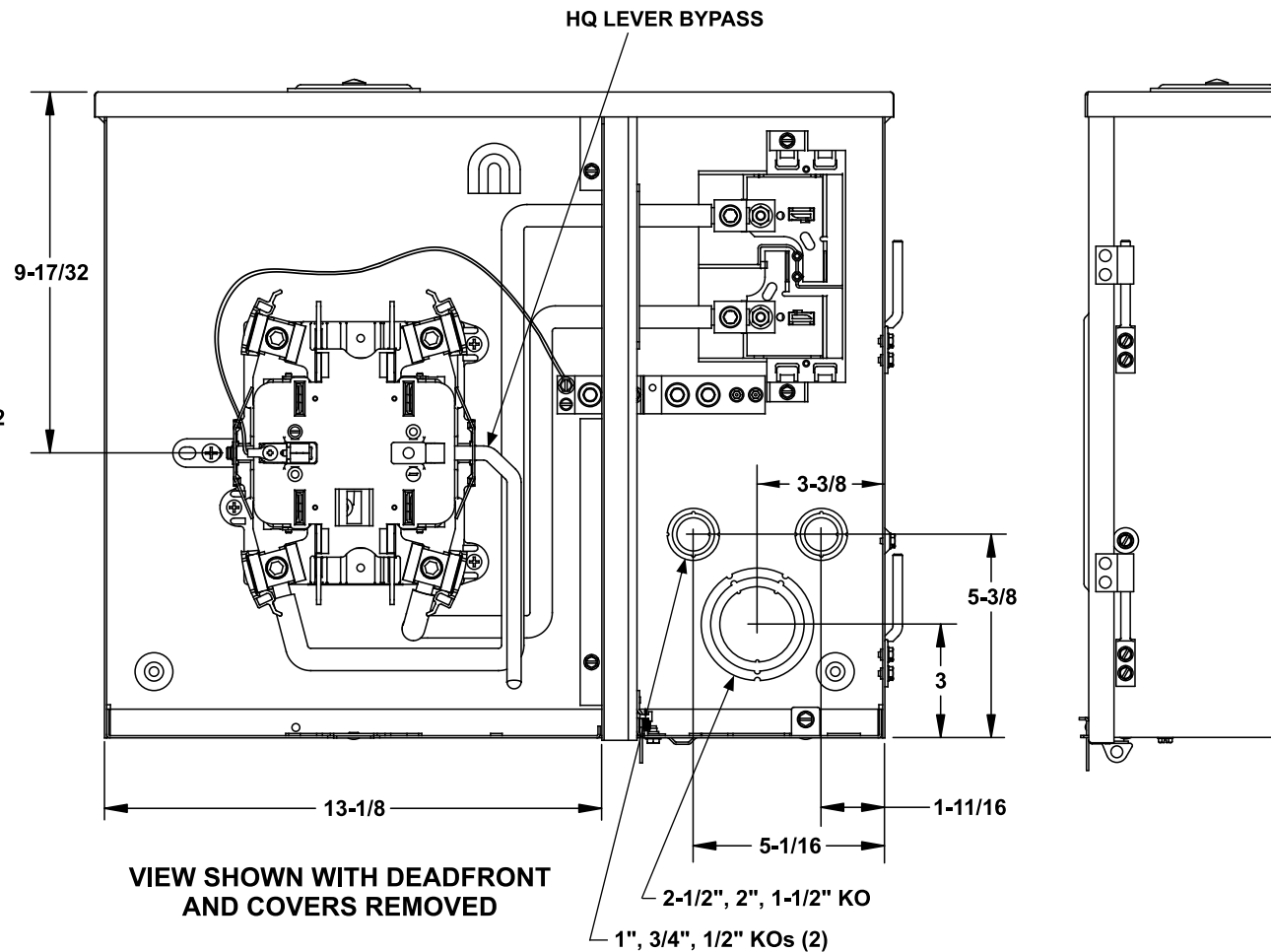
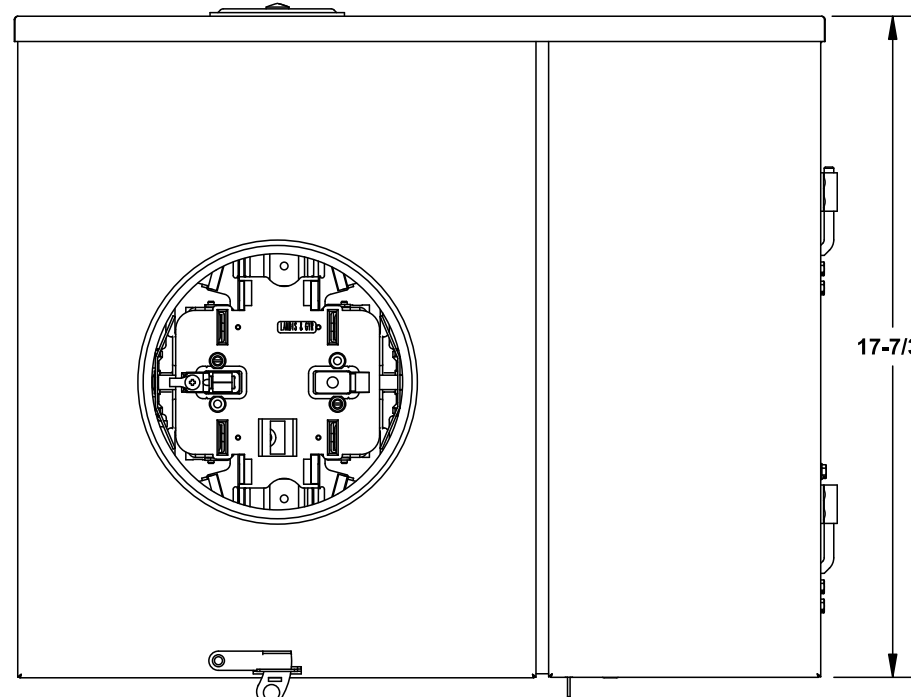
## Schematic



Top two twistouts are for Type QN, QNH, MD-T or MD-HT circuit breaker only. Bottom two twistouts are for Type QP, QPH, MP-T or MP-HT circuit breakers only.



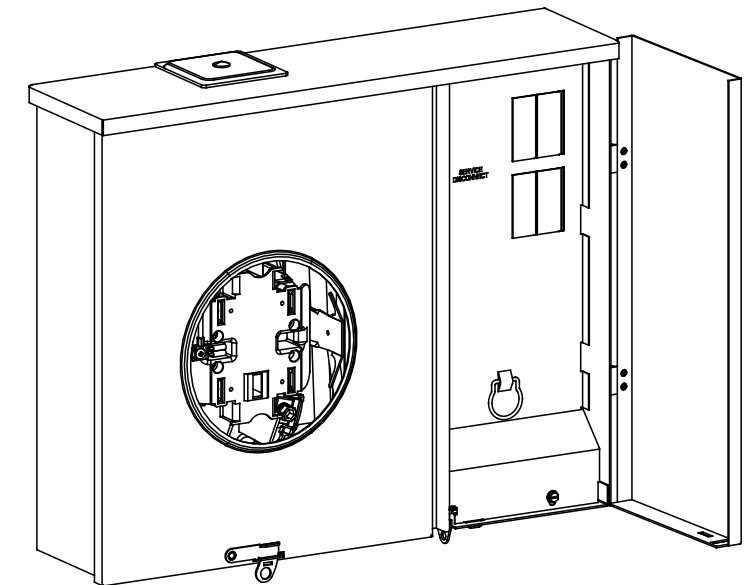
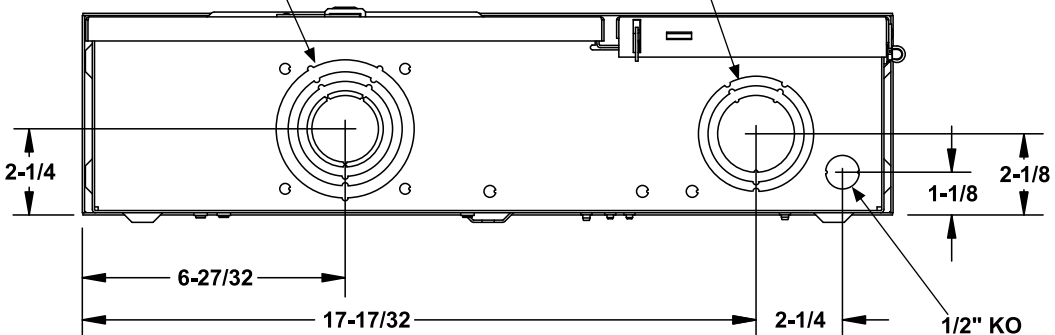
RX HUB OPENING (2-1/2" MAX. CONDUIT)  
COVER PLATE PROVIDED



VIEW SHOWN WITH DEADFRONT  
AND COVERS REMOVED

3", 2-1/2", 2", 1-1/2", 1-1/4" KO  
Provision for HC Type Hub

2-1/2", 2", 1-1/2" KO



© 2012 Copyright Siemens Industry, Inc.

**SIEMENS**  
Siemens Industry, Inc.

**Meter/Main Breaker Combination**

Description:  
**200A ML 0202 HQ Lever Bypass OH/UG**

Size B FamT-LBP Dwg. No. **MM0202L1200JLX**

Dwn KAM Date 3/13/12 DO NOT SCALE DRAWING SHEET 1 OF 1