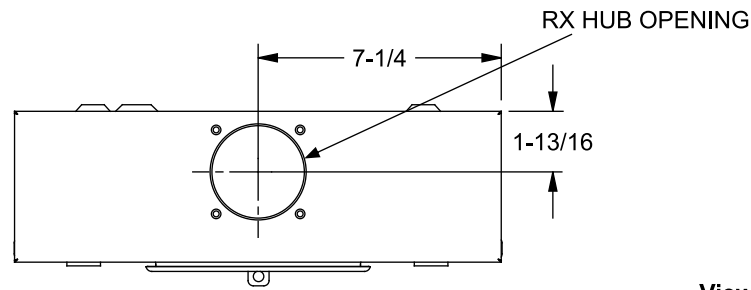


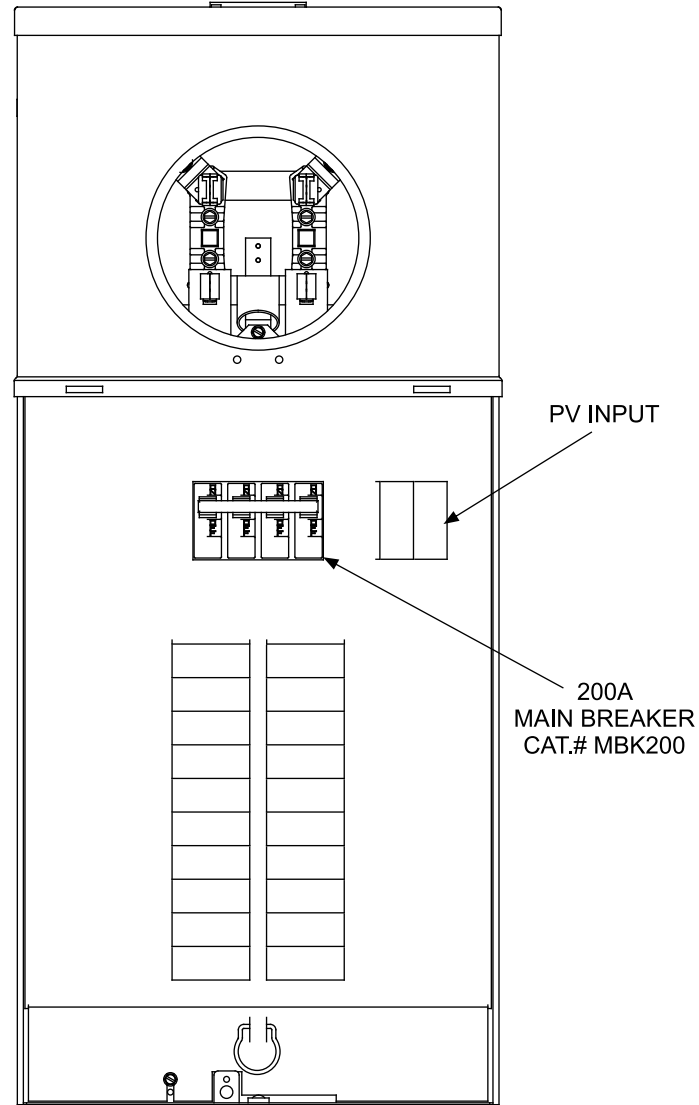
Catalog Number: MC2040S1200SZ

Features and Ratings

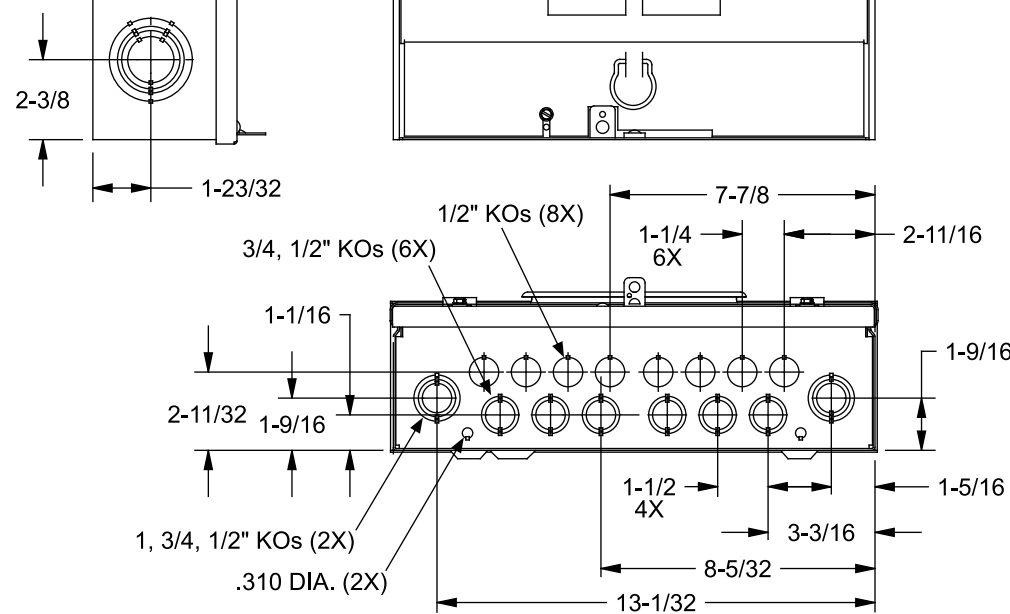
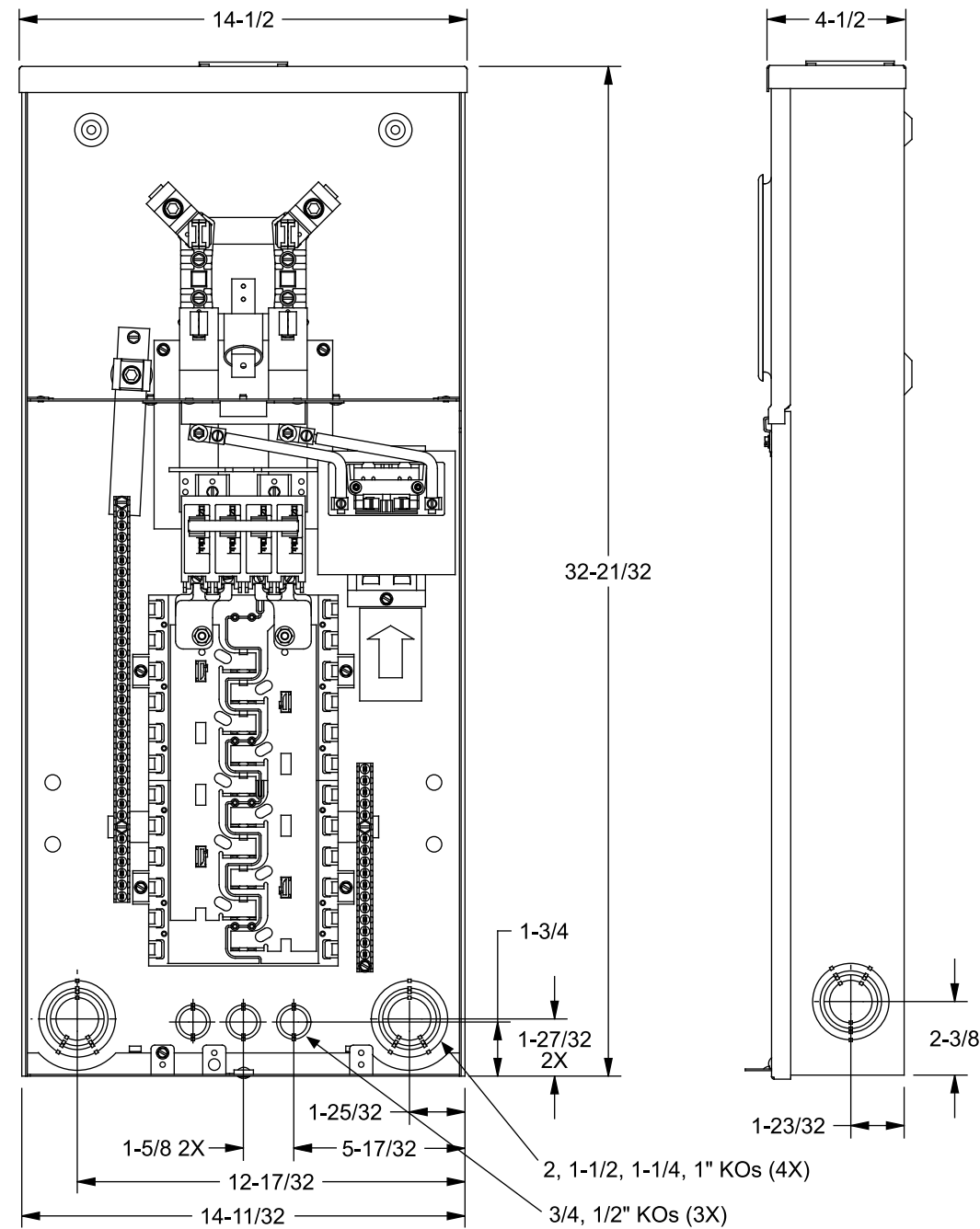
- Outdoor Enclosure (NEMA Type 3R)
- Ring Type Meter Cover
- 200A Max, 1 Phase, 3 Wire, 120/240V~, 120/208V~
- 22,000 AIC Max. Rated (See Wiring Diagram for Details)
- Meter Socket Rating: 200A Continuous
- (20) 1" Spaces, (40) Circuits Max.
- For Overhead Service Only
- Surface Mounting
- For Photovoltaic or Alternate Energy applications (Use breaker types QP, QPH, MP-T, MP-HT 60A Max.)



View Shown Without Door



View Shown Without Covers, Door, Deadfront

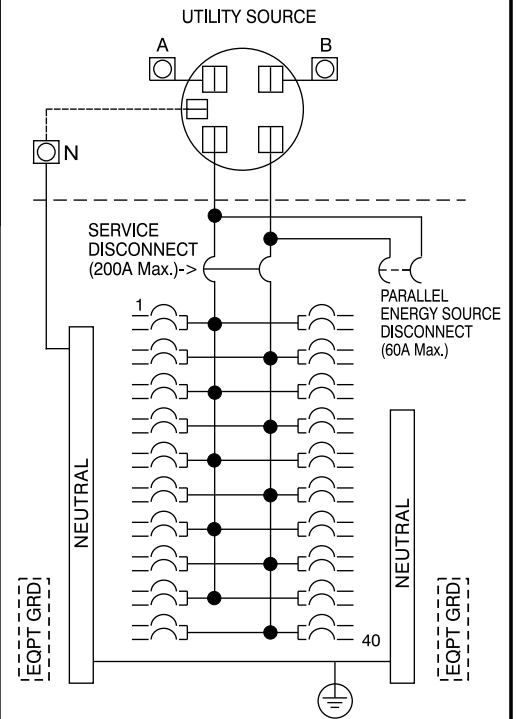


Accessories, Torques & Wire Sizes

Trade size (in)	Catalog Number
<i>RX Type Hub</i>	
1 1/4"	EC38597
1 1/2"	EC38598
2"	EC38599
2 1/2"	EC38600
RX Cover Plate	EC38595

Filler Plate: Cat.# ECQF3
 5th Jaw: Cat.# EC659-0121
 Mechanical Interlock:
 Cat# ECSBPK09
 Lug Kits: Cat.# ECLK1-2 and ECLK2
 Equipment Ground Bars:
 ECLX071M, ECLX072M, ECLX073M,
 ECLX074M, ECLX075M

Schematic



Refer to Schematic

Terminal	Wire Size	Torque
A, B, N	250kcmil - #1	250 lb-in
Branch Breaker Terminals	See Markings on Breaker	
Neutral Bar	#10 - #14 CU	20 lb-in
	#10 - #12 AL	20 lb-in
	#8	25 lb-in
	#6 - #4	35 lb-in
Ground Conductors Only in Neutral Bars	(2) or (3) #14 AWG	20 lb-in
	(2) #12-#10 AWG	20 lb-in

EQUIPMENT GROUND BAR: SERIES "ECLX"
 Terminals are suitable for the following Wire combinations:
SMALL TERMINALS: ONE 14 TO 6 AWG CU; ONE 12 TO 6 AWG AL; TWO 14 AWG CU; TWO 12 AWG CU; TWO 12 AWG AL SOLID WIRES.
LARGE TERMINALS: ONE 14 TO 2 AWG CU; ONE 12 TO 2 AWG AL; TWO OR THREE 14 AWG CU; TWO OR THREE 12 AWG CU OR AL; TWO 10 AWG CU; TWO OR THREE 10 AWG AL; THREE 10 AWG CU SOLID WHEN TORQUED TO 50 LB-IN; THREE 10 AWG CU STRANDED.

TERMINALS	WIRE	TORQUE
Small Terminals	10-14 AWG	20 LB-IN
	8 AWG	25 LB-IN
	6 AWG	35 LB-IN
Large Terminals	10-14 AWG	25 LB-IN
	8 AWG	40 LB-IN
	2-6 AWG	45 LB-IN

TERMINALS	WIRE	TORQUE
ECLK1-2 Neutral Lug Kit	2/0-2 AWG	45 LB-INS
ECLK2 Neutral Lug Kit	2/0-4 AWG	135 LB-INS

© 2011 Copyright Siemens Industry, Inc.

SIEMENS
Siemens Industry, Inc.

SolarReady™ Meter Combination

Description:
200A, 20 Sp/40 Ckt, OH, Surface Mount

KAM 8/16/11 | Fam I | DO NOT SCALE DRAWING | Dwg. No. **MC2040S1200SZ**