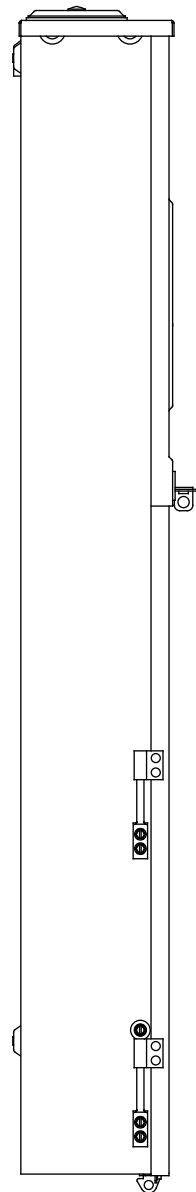


# Catalog Number: MC2040S1200JLC

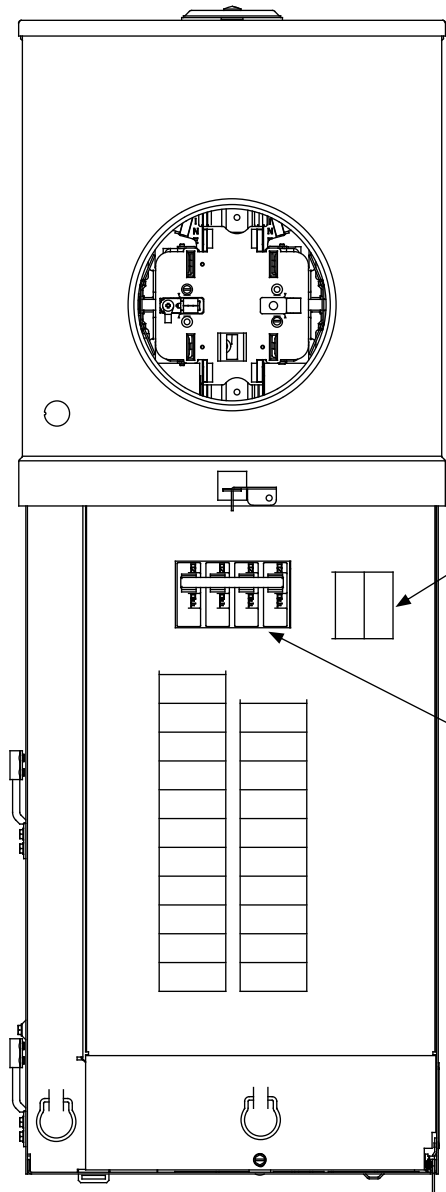
## Features and Ratings



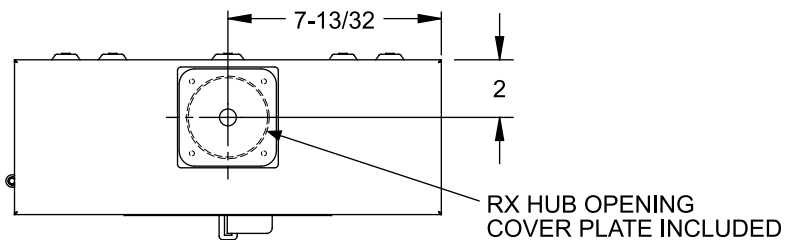
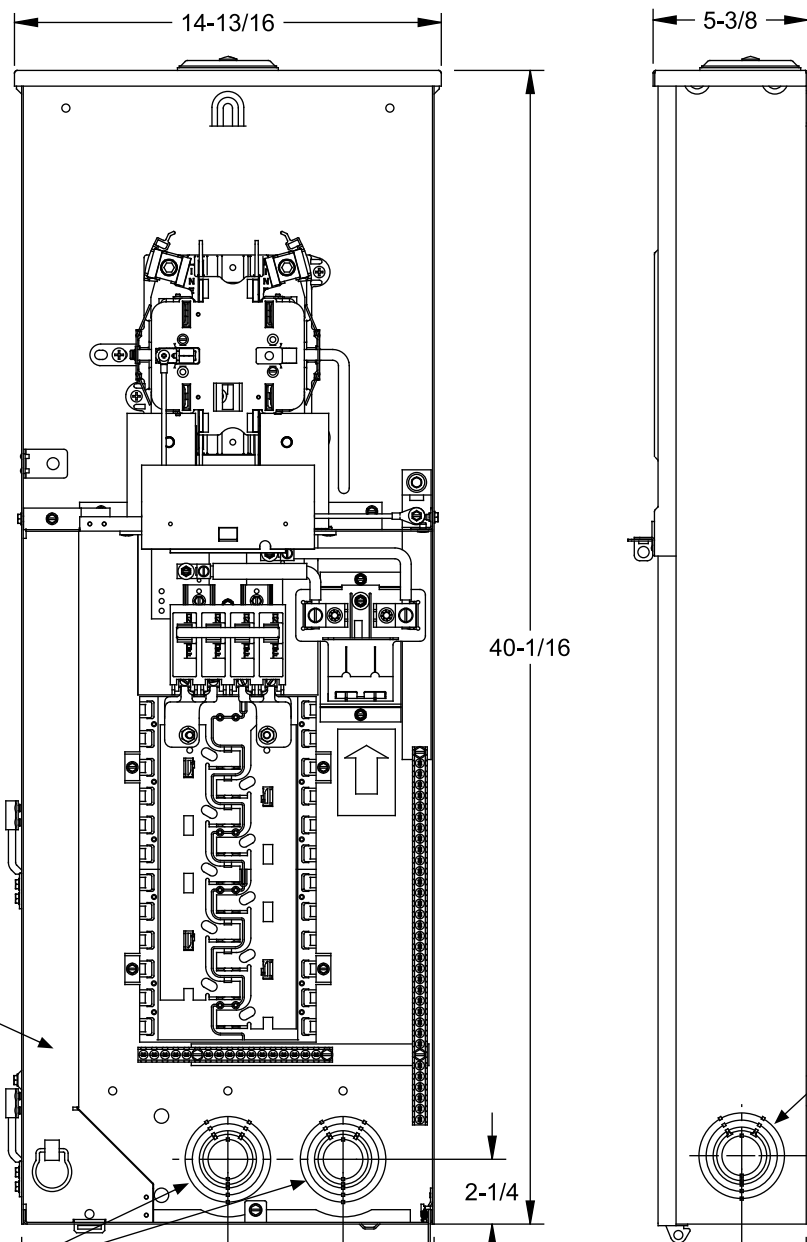
- Outdoor Enclosure (NEMA Type 3R)
- Lever Bypass Meter Socket, Ringless Meter Cover
- 200A Max, 1 Phase, 3 Wire, 120/240V~, 120/208V~
- 22,000 AIC Max. Rated (See Wiring Diagram for Details)
- Meter Socket Rating: 200A Continuous
- 5th Jaw Factory Installed at 9 o'Clock
- (20) 1" Spaces, (40) Circuits Max.
- Overhead or Underground Service
- Surface Mounting
- 7/8 Barrel Lock Provision
- For Photovoltaic or Alternate Energy applications (Use breaker types QP, QPH, MP-T, MP-HT 100A Max.)



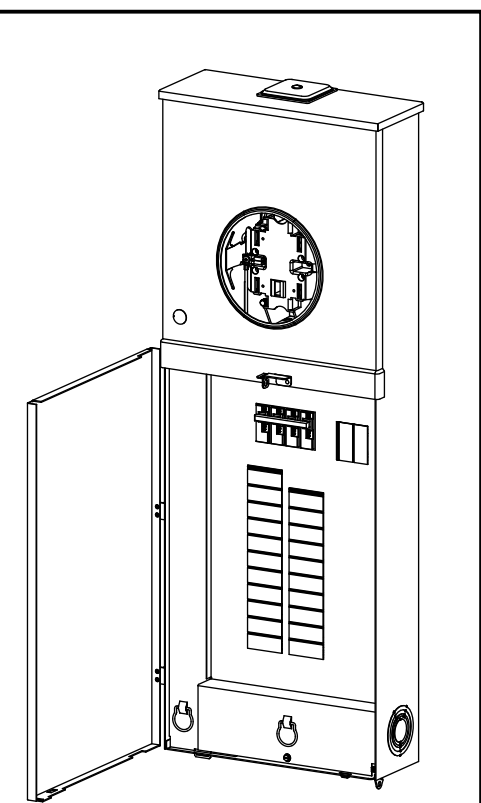
View Shown Without Door



View Shown Without Covers, Door, Deadfront



RX HUB OPENING COVER PLATE INCLUDED



## Accessories, Torques & Wire Sizes

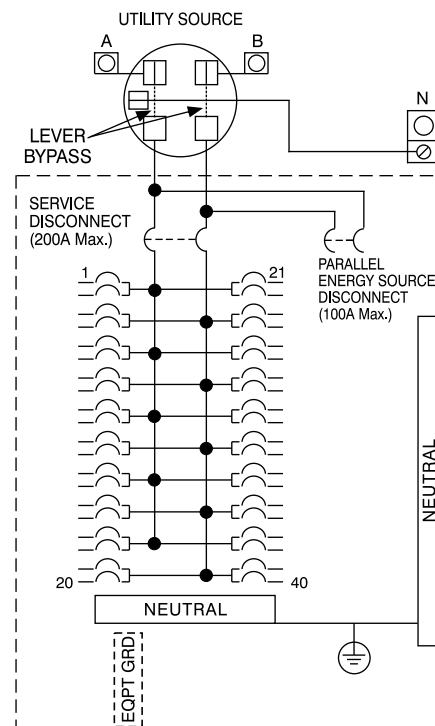
Trade size (in)	Catalog number
<i>RX Type Hub (top endwall)</i>	
1 1/4"	EC38597
1 1/2"	EC38598
2"	EC38599
2 1/2"	EC38600
RX Cover Plate	EC38595
<i>HC Type Hub (bottom endwall)</i>	
2"	ECHC200
2 1/2"	ECHC250
3"	ECHC300

Neutral Lug Kit	Wire Range	Torque
ECLK1-2	2/0-#2	45 Lb-In.
ECLK2	2/0-#4	135 Lb-In.
ECLK3	300 kcmil - #1	340 Lb-In.

Filler Plate Cat. No. ECQF3

Mechanical Breaker Interlock: ECSBPK09  
Equipment Grounding Bar: ECGB10, ECGB101

## Schematic



Maximum breaker size on left side:  
60°C Wire: CU 85A, AL 65A  
75°C Wire: CU 100A, AL 75A

125A or above circuit breaker must be installed in the lowest position in the branch panel. All other positions are limited to 100A maximum circuit breakers.

Terminal	Wire Size	Torque
A, B	250kcmil - #4	275 lb-in
N	250kcmil - #4	250 lb-in
Branch Breaker Terminals	See Markings on Breaker	
Neutral Bar	#10 - #14 CU	20 lb-in
	#10 - #12 AL	20 lb-in
	#8	25 lb-in
	#6 - #4	35 lb-in
Ground Conductors Only	(2) or (3) #14 AWG	20 lb-in
	(2) #12-#10 AWG	20 lb-in

© 2018 Copyright Siemens Industry, Inc.

**SIEMENS**  
Siemens Industry, Inc.

## SolarReady™ Meter Combination

Description:  
**200A, 20Sp/40Ckt, OH/UG, Surf, Lever Bypass**

KAM 5/1/18 Fam T DO NOT SCALE DRAWING Dwg. No. **MC2040S1200JLC**