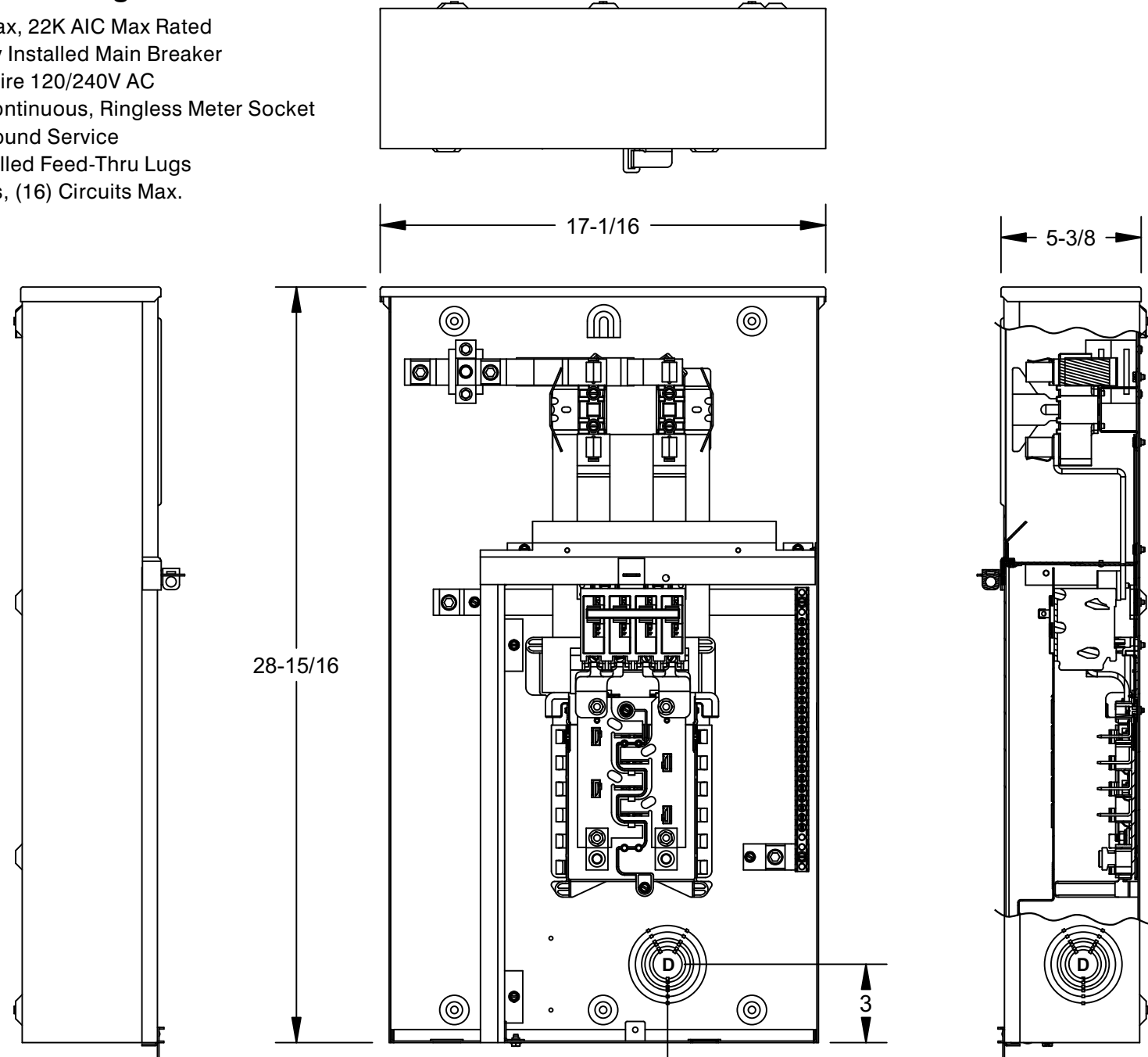


Catalog Number: MC0816B1200RTD

Features and Ratings

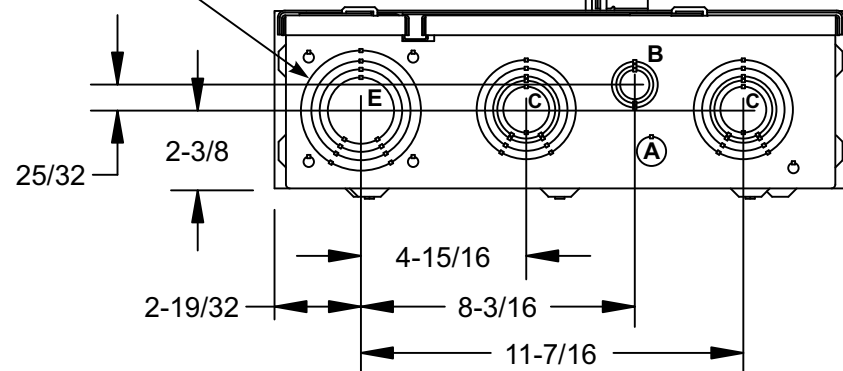
- 200 Amps Max, 22K AIC Max Rated
- 200A Factory Installed Main Breaker
- 1 Phase, 3 Wire 120/240V AC
- 200 Amps Continuous, Ringless Meter Socket
- For Underground Service
- Factory Installed Feed-Thru Lugs
- (8) 1" Spaces, (16) Circuits Max.



View Shown with Covers and Deadfront Removed

Partial Section

Provision for HC Type Hub



Knockouts (inches)	
A:	1/2 DIA.
B:	1/2, 3/4, 1
C:	1, 1-1/4, 1-1/2, 2, 2-1/2
D:	3/4, 1, 1-1/4, 1-1/2, 2, 2-1/2
E:	1-1/2, 2, 2-1/2, 3

Accessories

Filler Plate Cat. No. QF3 or ECQF3
 2/0-#4 Lug kit: ECLK1-2 (Torque 45 Lb-Ins.)
 5th Jaw Assembly: EC5J2
 Mechanical Breaker Interlock: ECSBPK08
 Meter Socket Jumper: ECJS

Equipment Grounding Bar: ECGB10
 Tighten Equipment Ground Bar Terminals to the torque shown in neutral bar table for the wire installed.

Type HC Hubs

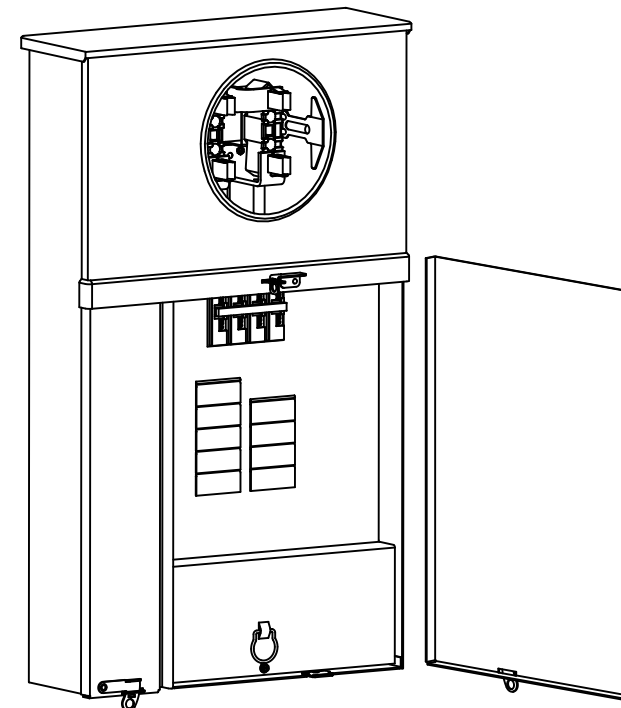
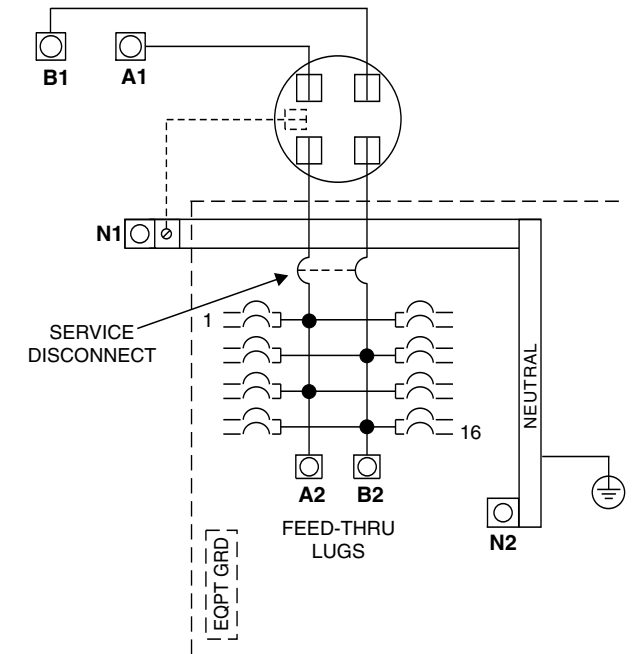
Trade size (in)	Catalog number
HC Type Hub (bottom endwall)	
2"	ECHC200
2 1/2"	ECHC250
3"	ECHC300

Wire Sizes and Torques

(see schematic)

TERMINALS	WIRE	TORQUE
A1, B1, N1	#6 AWG - 350 kcmil	250 LB-INS
A2, B2 FEED-THRU TERMINALS	#4 AWG - 250 kcmil	250 LB-INS
N2	#6 AWG - 250 kcmil	250 LB-INS
NEUTRAL/GROUND BARS (USE TYPE ECGB GROUND BAR KIT ACCESSORY)	10-14 CU/10-12 AL	20 LB-INS
	8 AWG	25 LB-INS
	6-4 AWG	35 LB-INS
GROUND CONDUCTORS ONLY	(2)or(3) 14 AWG	20 LB-INS
	(2) 12-10 AWG	20 LB-INS

Schematic



© 2010 Copyright Siemens Industry, Inc.

Siemens Industry, Inc.
 Building Technologies Division

Meter Load Center Combination

Description:
200A 0816 Feed-Thru Ringless UG

Size B	Dwg. No. MC0816B1200RTD
Dwn KAM	Date 5/10/10
DO NOT SCALE DRAWING	SHEET 1 OF 1