

Catalog Number: MC0408B1400RLTM

Features and Ratings

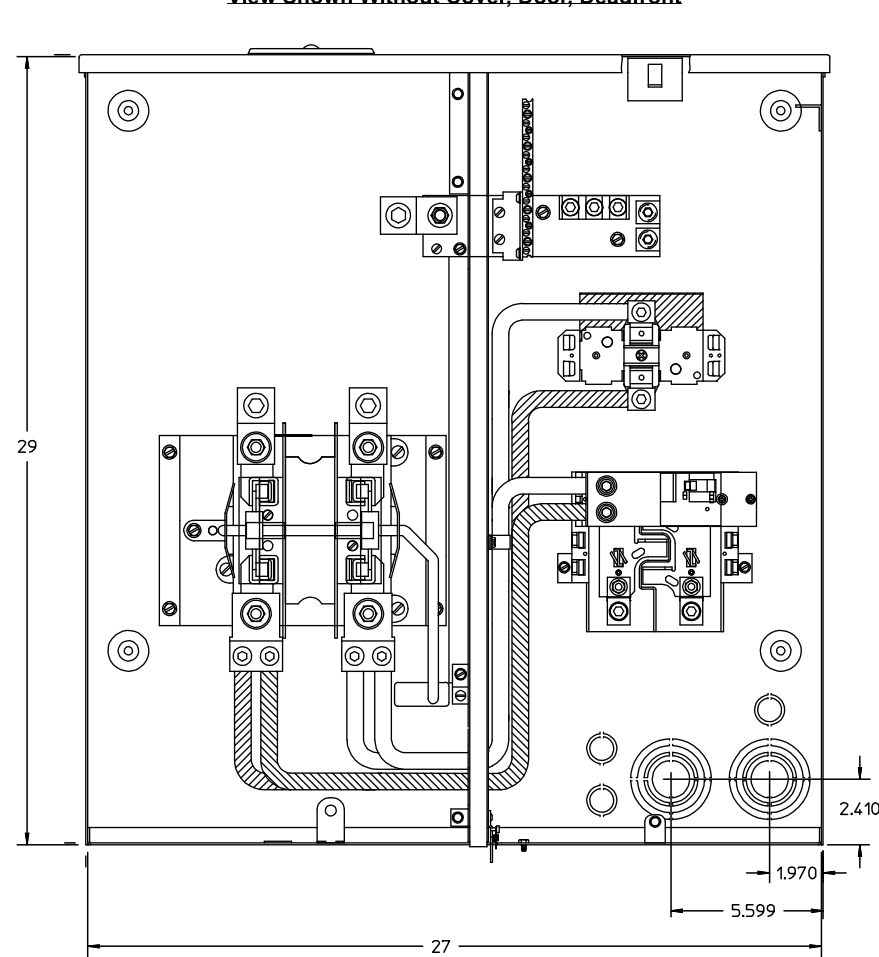


- Outdoor Enclosure (NEMA Type 3R)
- Ringless Type Meter Cover
- Device Rating: 400A Max
- 120/240V~ 1 Phase, 3 Wire ; 120/208V~ 1 Phase, 3 Wire w/5th Jaw Installed
- Meter Socket Rating: 400A (320A Continuous)
- 4 Jaw, Lever Operated Bypass with Jaw Tension Release
- 200A Breaker Factory Installed
- Feed-Thru Terminals
- 22,000 AIC Max. Rated (See Wiring Diagram for Details)
- UL Listed only for use as Service Entrance Equipment
- Overhead or Underground Service Entrance
- Surface Mounting

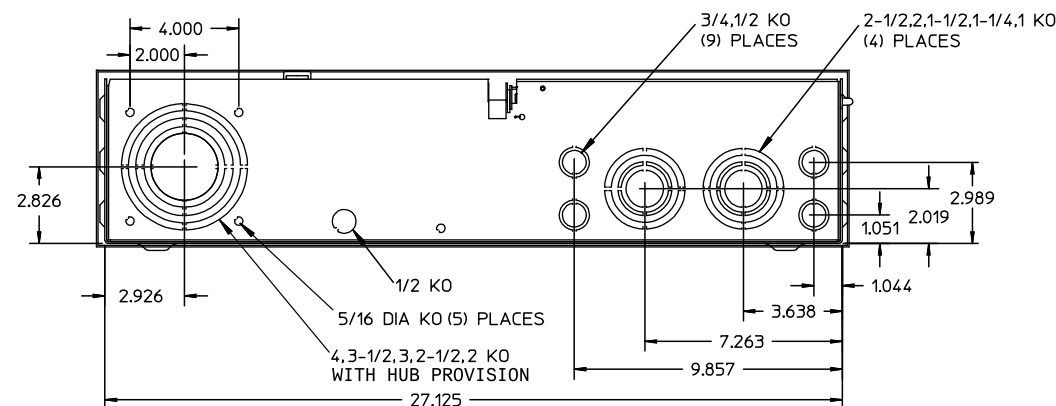
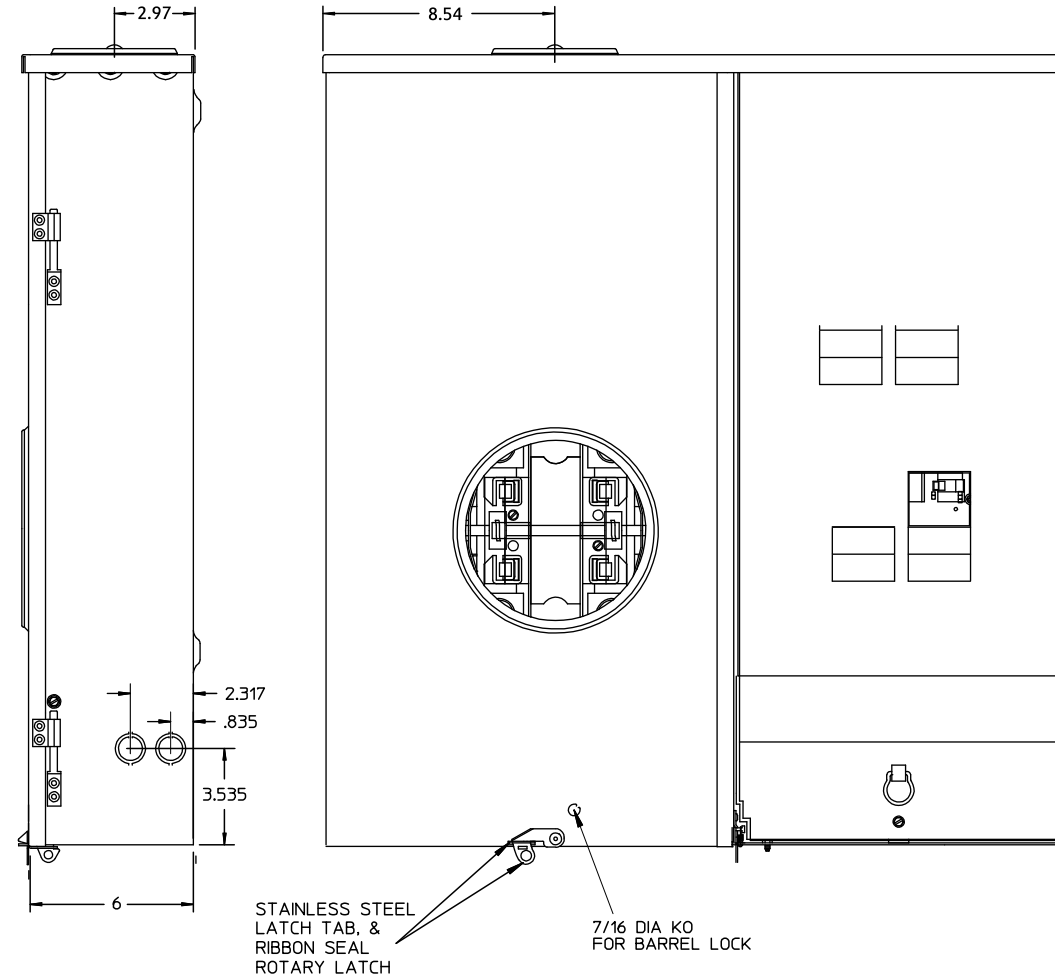
DEADFRONT VIEW - TOP TWISTOUTS



View Shown Without Cover, Door, Deadfront



View Shown Without LC Door

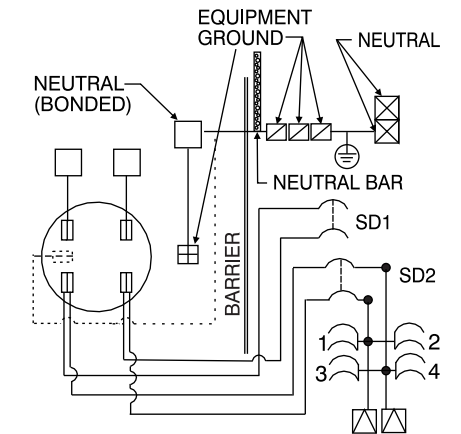


Accessories

- ACCESSORIES**
 FILLER PLATE ECQF3
 5TH JAW SHIELD . . . H35815-2
- FOR HUB, ORDER FROM "HD" SERIES
 COVERPLATE EC56933S
 3" HUB EC56856
 3 1/2" HUB EC56857
 4" HUB EC56858

HARDWARE TIGHTENING TORQUES:
 3/8" NUTS 250-300 LB.-IN.

Schematic



TERMINAL RANGES	TORQUE
kcmil OR AWG; CU/AL	LB.-IN.
□ (1)600kcmil-#4 OR (2)350kcmil-1/0	500
□ Alt. Lugs H56732-2 (2) 350kcmil-#4	275
⊞ (1)2/0-#12	50
⊞ (1)250kcmil-4	250
⊞ (1)2/0-#6	275
⊞ (1)250kcmil - 4	275
NEUTRAL BAR TERMINALS	
SMALL (1) #10-#14	20
(1) #8	25
(1) #6	35
LARGE (1) #10-14	35
(1) #8	40
(1) 1/0 - #6	45

SIEMENS
 Siemens Industry, Inc.

Meter Load Center Combination

Description: **400A, 1ph, Ringless, MB, OH/UG**

KAM 7/8/14 Fam M DO NOT SCALE DRAWING Dwg. No. **MC0408B1400RLTM**