

Catalog Number: JC0404L1400RLM

Features and Ratings

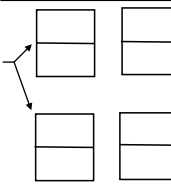


- Outdoor Enclosure (NEMA Type 3R)
- Ringless Type Meter Cover
- Device Rating: 400A Max
- 120/240V~ 1 Phase, 3 Wire
- 120/208V~ 1 Phase, 3 Wire w/5th Jaw Installed
- Meter Socket Rating: 400A (320A Continuous)
- 4 Jaw, Lever Operated Bypass with Jaw Tension Release
- Provisions for Field Installable Breakers
- UL Listed only for use as Service Entrance Equipment
- Overhead or Underground Service Entrance
- Surface Mounting

DEADFRONT VIEW

LEFT TWISTOUTS USED WITH TYPE MD-TR, MD-HTR & MD-MTR BREAKERS ONLY

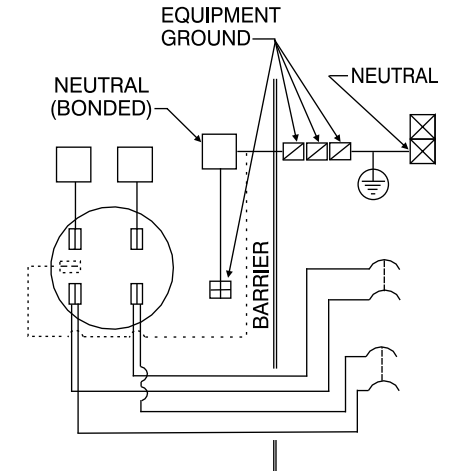
RIGHT TWISTOUTS USED WITH TYPES MP-T, MP-HT, OR MP-MT BREAKERS



Accessories

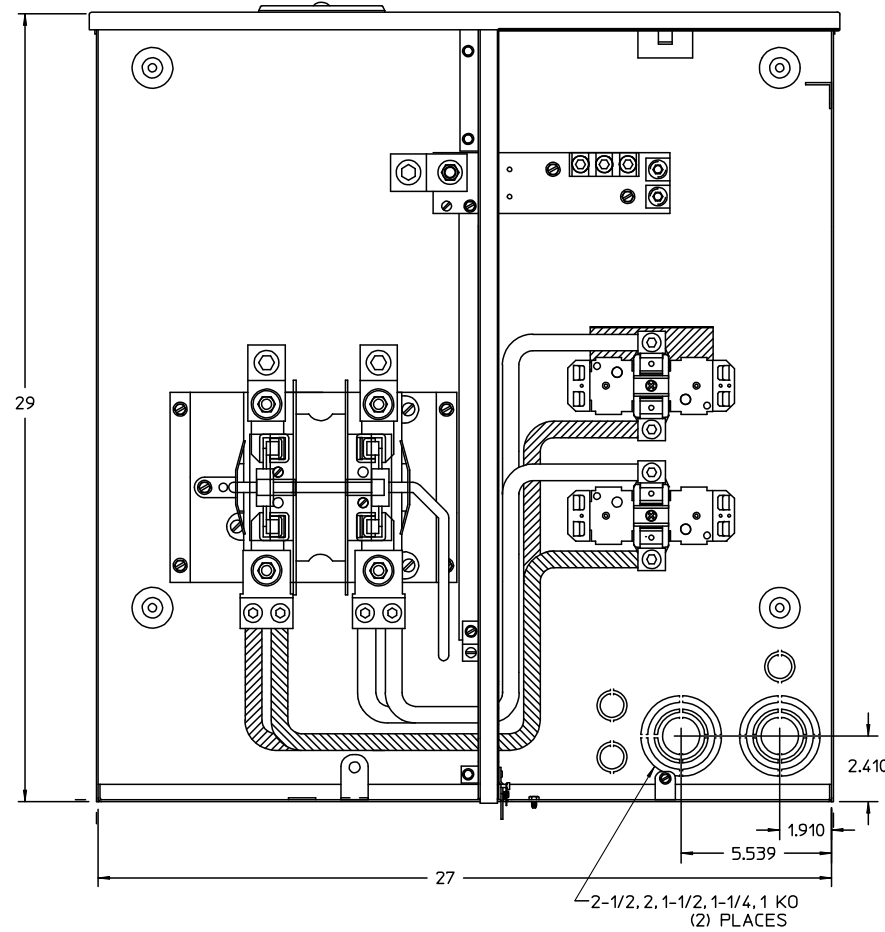
- ACCESSORIES**
 FILLER PLATE ECQF3
 5TH JAW SHIELD . . . H35815-2
- ORDER HUBS FROM "HD" SERIES**
 COVERPLATE EC56933S
 3" HUB EC56856
 3 1/2" HUB EC56857
 4" HUB EC56858
- HARDWARE TIGHTENING TORQUES:**
 3/8" NUTS 250-300 LB.-IN.

Schematic

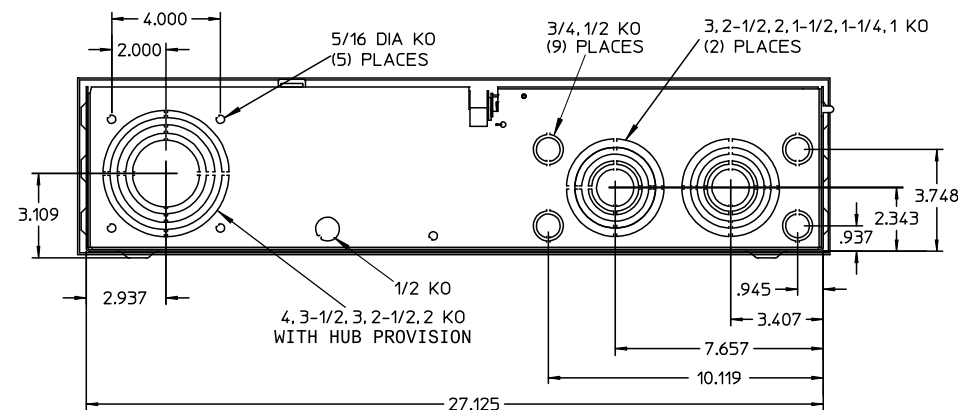
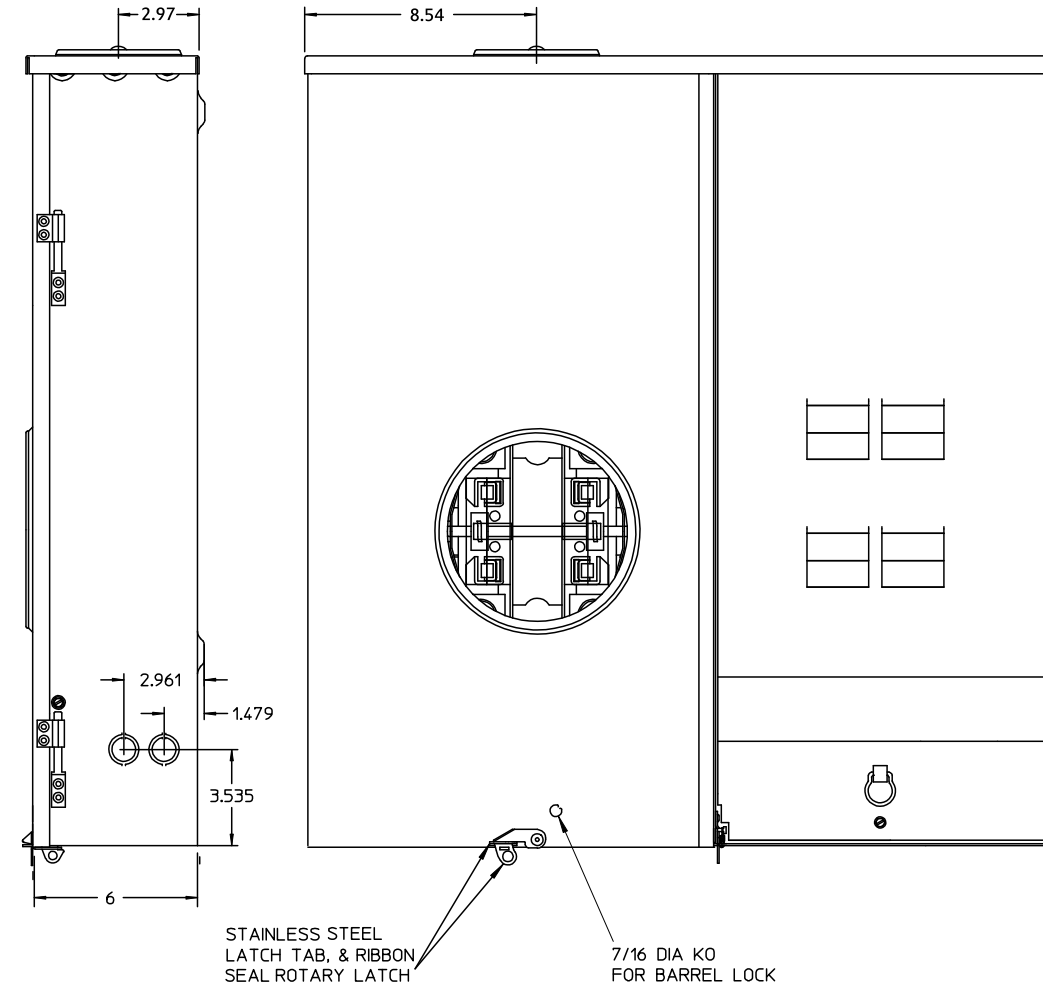


TERMINAL RANGES kcmil OR AWG; CU/AL	TORQUE LB.-IN.
□ (1)600kcmil-#4 OR (2)350kcmil-1/0	500
□ Alt. Lugs H56732-2 (2) 350kcmil-#4	275
⊞ (1)2/0-#12	50
⊞ (1)250kcmil-4	250
⊞ (1)2/0-#6	275

View Shown Without Cover, Door, Deadfront



View Shown Without LC Door



MURRAY Murray Electrical Products
 Siemens Industry, Inc.

Outdoor Combination Meter Main

Description:
400A, 1ph, Ringless, OH/UG, w/o Breakers

KAM 7/8/14 Fam M DO NOT SCALE DRAWING Dwg. No. **JC0404L1400RLM**