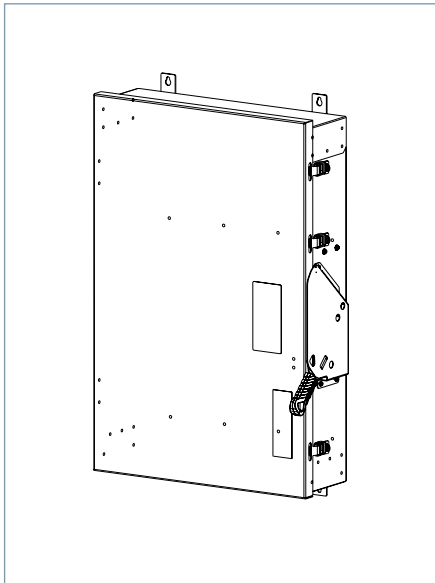


Heavy Duty Safety Switch

400A 240V, Type 12

Data Sheet



Standards and Ratings

- UL listed under file #E4776
- CSA listed under file #154852
- Meets NEMA Standard KS-1 for enclosed switches
- Meets NEC wire bending space requirements
- Rated 10,000 AIC as standard or 200,000 when protected by Class R, T or J fuses rated 400 amp maximum
- I2t rated (Amps² x Seconds = 6,000,000)
- 12X overload current rating exceeds 10X industry standard
- Suitable for use as service entrance equipment

Features

- Quick-make and break switching action
- Visible blade design
- Highly visible ON/OFF indication
- Modular design allows quick and easy replacement of parts
- Defeatable dual cover interlock
- Compact one piece light weight construction enables easier installation
- Can utilize either one large or two small wires
- Spring loaded heat sink fuse clip
- One piece line and load base for consistent phase-to-phase alignment
- Extra ground lug on neutral
- Tangential knock out
- Lay in Lugs for easy wiring
- Window permits viewing of visible blade

Product Specifications

Heavy Duty 400A 240V, Type 12

General Information

Catalog Number	Description	Shipping Weight
HF325JA	Heavy Duty Fused 3 Pole 240V 400A Type 12, Industrial	93
HFC325NJA	CSA Heavy Duty Fused 3 Pole 240V 400A Neutral Type 12, Industrial	94.6

Maximum Horsepower Ratings

Catalog Number	1 Phase, 240V AC	3 Phase, 240V AC	1 Phase, 480V AC	3 Phase, 480V AC	1 Phase, 600V AC	3 Phase, 600V AC	250V DC	600V DC
HF325JA	—	125	—	—	—	—	50	—
HFC325NJA	—	125	—	—	—	—	50	—

Accessories & Hub Kits

Catalog Number	Description
HA161234	Aux. Switch (1NO - 1NC)
HA261234	Aux. Switch (2NO - 2NC)
HA361234	Low Voltage Aux. SW. (1NO - 1NC)
HN656A	Neutral
HN656A	200% Neutral
HG656A	Ground Lug
HG2656A	Isolated Ground
HR65A	R Fuse (400A)
HT25A	T Fuse (400A, 300V)
HCM65A	Field Replacement Kit (400A, fused)
SSH250	2.50" Hub Kit
SSH300	3.00" Hub Kit
SSH350	3.50" Hub Kit
HCU656A	Copper Lug Kit ^①
SSH400	4.00" Hub Kit

Replacement Parts

Catalog Number	Description
HFB65A	Line Base Fused 400A
HBB65A	Load Base Fused 400A
HL656A	Lug Cap Kit (AL) 400-600A
HM656A	Mechanism 400A-600A
HH656A	Handle/Handle Guard 400A-600A
Catalog Number + "DOOR"	Door

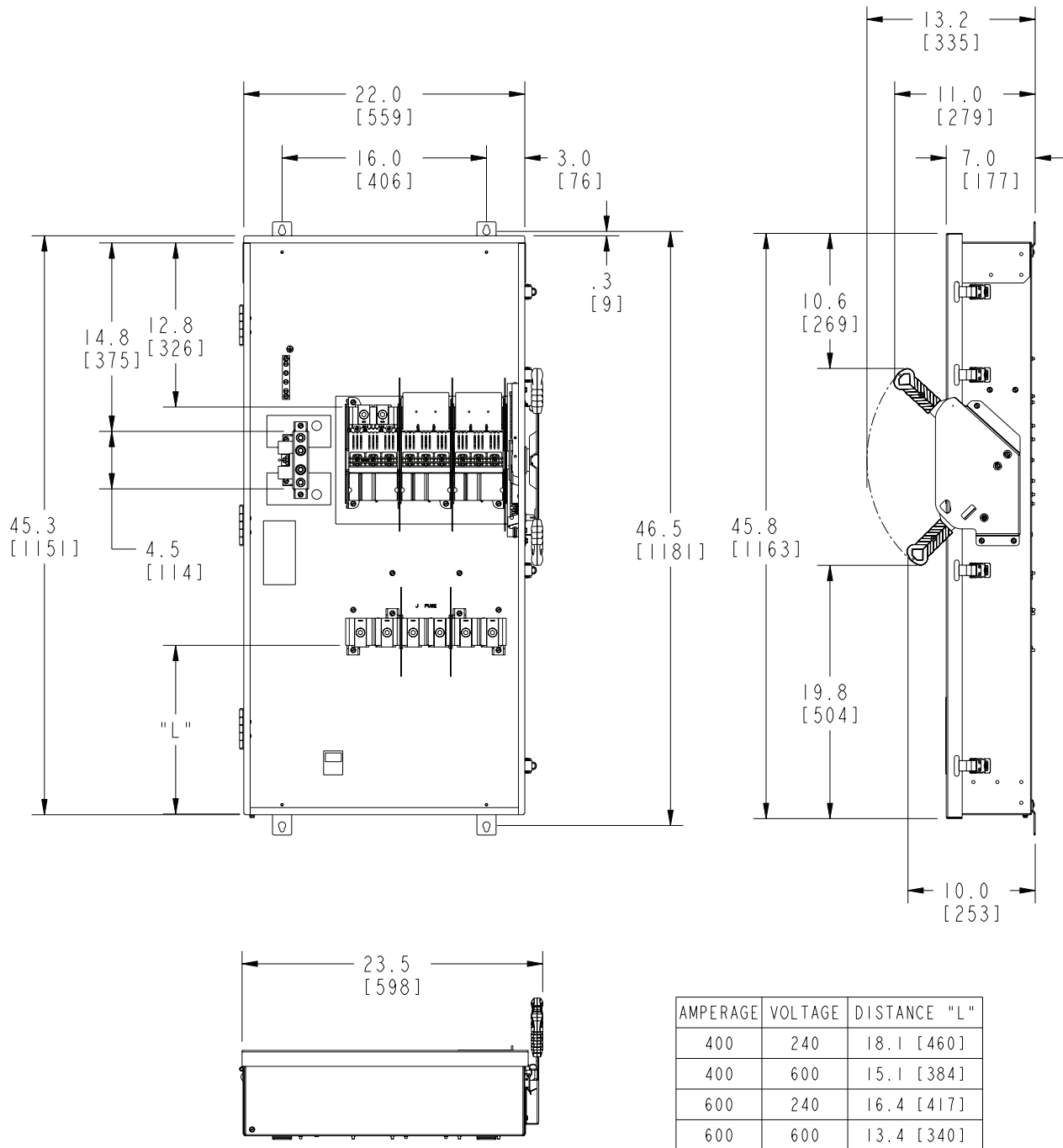
Mechanical Lug Wire Ranges

Description	Wire Range
Line, Load, & Main Neutral (Fusible)	(1) 1/0 AWG - 600 kcmil or (2) 1/0 AWG - 500 kcmil
100% Neutral	(2) 1/0 - 600 Kcmil or (2) 6 - 300 Kcmil
200% Neutral	(2) 1/0 - 600 Kcmil or (2) 6 - 300 Kcmil
Equipment Ground	(2) 14 - 2/0 AWG

^① Purchase field replacement kit along with lugs. (See Speedfax pg. 4-20)

Dimension Drawing

Heavy Duty 400A 240V, Type 12 (Fusible)



Dimensions shown in inches
and millimeters [].
Dimensions shown accurate to $\pm 1/8$ inch.

Enclosure: Galvanized Steel
.060 thick (16 gauge)
Finish: ANSI Grey #61 Paint

Siemens Industry, Inc.
5400 Triangle Parkway
Norcross, GA 30092

1-800-241-4453
info.us@siemens.com

Order No. SSFL-H4212-1115 | Printed in USA |
© 2015, Siemens Industry, Inc.

www.usa.siemens.com/switches

Subject to changes and errors. The information given in this document only contains general descriptions and/or performance features which may not always specifically reflect those described, or which may undergo modification in the course of further development of the products. The requested performance features are binding only when they are expressly agreed upon in the concluded contract.