



Installation Instructions

⚠ DANGER

Hazardous Voltage.
Will cause death, serious injury or substantial property damage.

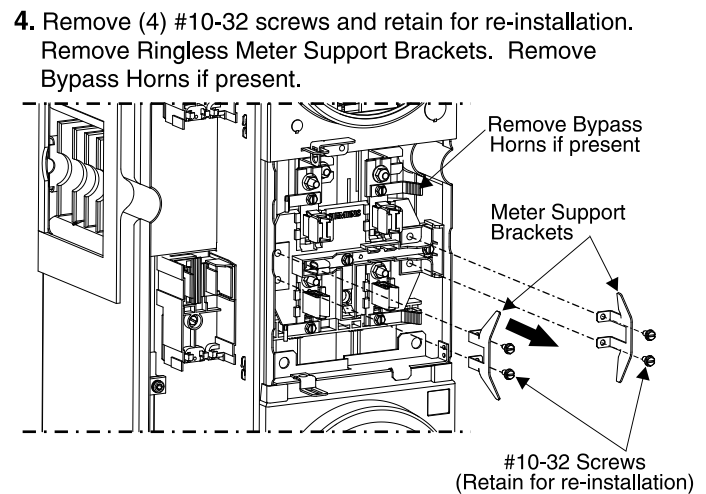
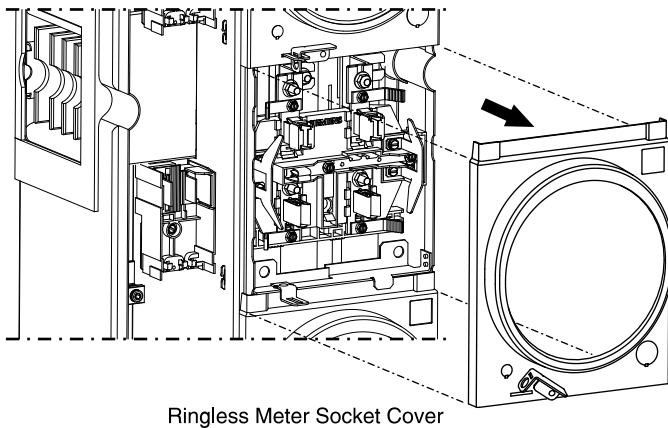
Turn off power supplying this equipment before working inside.

Ring Type Conversion Kit:
Converts Ringless style meter socket to Ring style meter socket. For use on Series WMM PowerMod™, Series WP and WEP Uni-PAK Metering Devices.

Kit Contents: (1) Ring Style Meter Cover
(1) Sealing Ring
(2) #10-32 x 3/8 Screws (extra, use if req'd)

Note: This instruction outlines the recommended installation procedure. For installation by a qualified person, as defined by all local electrical codes and/or the National Electrical Code ®.

1. Turn off and lock off the power supplying the device before working inside.
2. Clean and prepare surface; remove any old or damaged material before installing replacement part.
Do not allow petroleum based (hydrocarbon) sprays, chemicals, solvents or any paint to contact plastic components.
3. Remove Ringless Cover.



4. Remove (4) #10-32 screws and retain for re-installation. Remove Ringless Meter Support Brackets. Remove Bypass Horns if present.

5. Install Ring Type Meter Cover into position with top lip of Meter Cover under the cover above. Align cover bracket holes with upper meter base holes as shown. Stationary Latch will slide through slot on cover.

6. Secure Cover to socket with (2) #10-32 screws retained from Step 4. Re-install remaining (2) #10-32 screws directly on meter base as shown. Tighten all (4) screws to 15-20 lb.-ins.

