

Features and Ratings

- MAIN BUS RATING: 1200 AMPS, 240V AC MAX.
- MODULE RATING: 600 AMPS MAX, 240V AC MAX.
- 100,000 AIC RATING MAX.
- 3 PHASE
- TYPE 3R OUTDOOR ENCLOSURE
- FOR OVERHEAD OR UNDERGROUND SERVICE
- MOUNTING RAILS AND ADJUSTABLE BRACKETS FOR SECURE MOUNTING

Lug Kits and Replacement Parts

| NEMA Lug ^① | MFG | Wire Range | Type | No. Wires per phase | Torque (lb.-in.) |
|-----------------------|---------|---------------|-------------|---------------------|------------------|
| LK32500N2 | Siemens | 1/0-500 kcmil | Mechanical | 2 | 500 |
| 2ACL-500 | ILSCO | 500 kcmil | Compression | 2 | NA ^② |

- ① Order one mechanical lug kit for main breaker and neutral conversions. Contact lug manufacturer for compression lug quantities supplied for each kit.
 ② See lug manufacturer's instruction sheet supplied with the connector for tool, die, and number of crimps.

Additional Modules

| FOR USE WITH: Module Description | Siemens Series# |
|-------------------------------------|------------------|
| Main Breakers | WB, WEB, WXB |
| Switches | WS, WES |
| Tap/Terminal Boxes | WTB, WET, WT, PU |
| Meter Module | (W)MM, (W)ML |
| Meter Combinations | WC, WCL |
| Extension Box | WSP, WSPD |
| Bussed Elbow | BE |

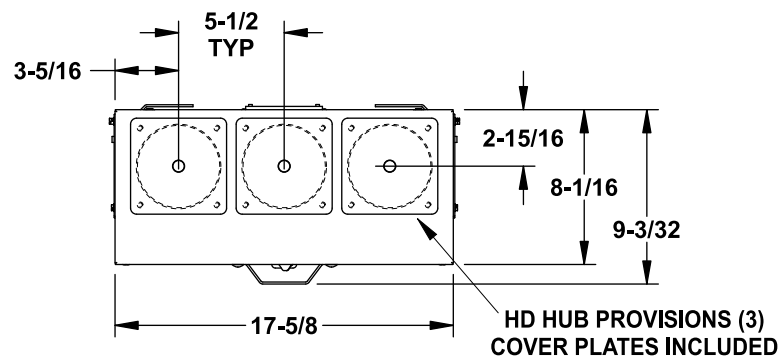
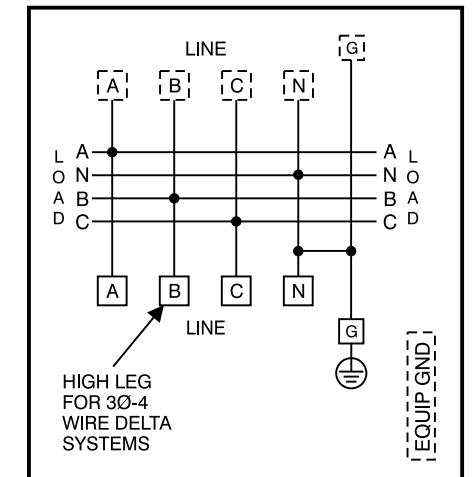
| Connect Modules Using: | Catalog Number / Torque |
|------------------------|---|
| QuickConnect | QC4, Torque 400-440 lb-in (35-36 ft.-lb.) |

Accessories

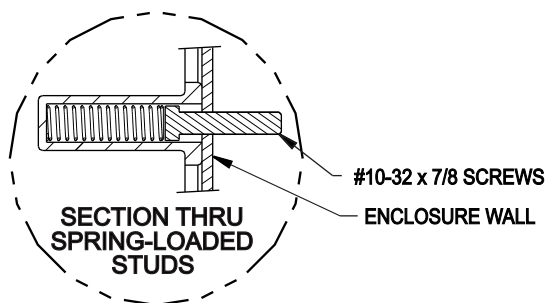
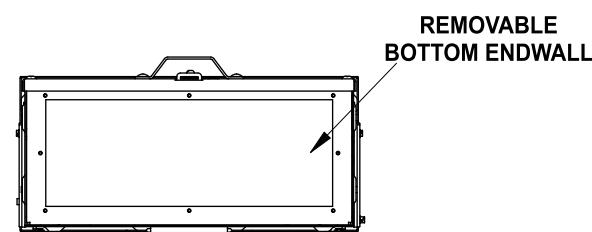
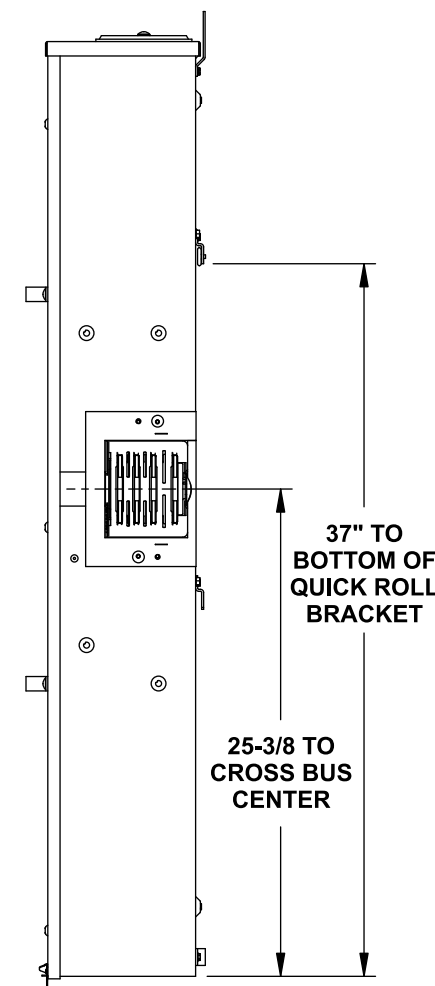
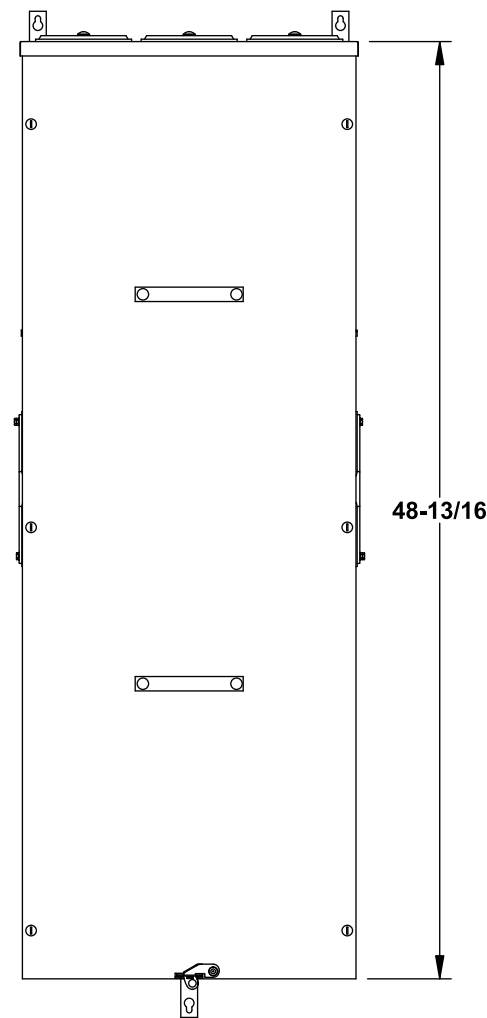
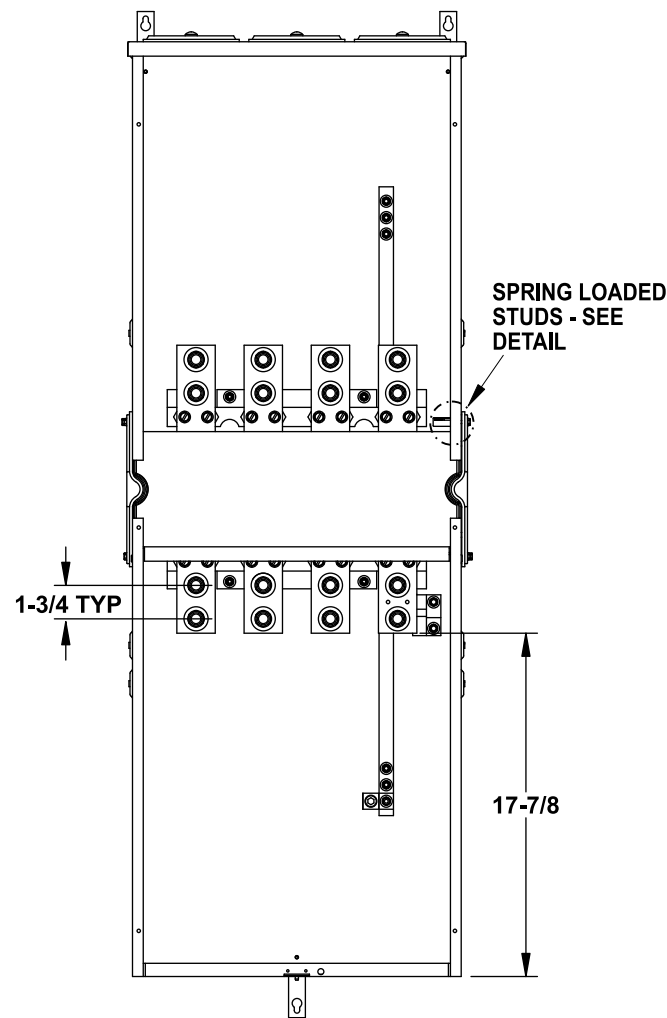
| Description | Catalog No. |
|--------------------------|-------------|
| Ground Bar Kit | ECLX069M |
| Parts Kit | ECMFPK |
| Mounting Rail | MMRAIL |
| Mounting Clip | MMCLIP |
| Mounting Tabs (2) | ECMFTAB |
| Back Rail/Clip | ECMFWLCLIP |
| Wall Mounting Rail (60") | MMZR60 |

| Siemens Accessories | Catalog Number |
|---------------------|----------------|
| Hub Cover Plate | EC56933S |
| Type HD Hub 2" | EC56854 |
| Type HD Hub 2-1/2" | EC56855 |
| Type HD Hub 3" | EC56856 |
| Type HD Hub 3-1/2" | EC56857 |
| Type HD Hub 4" | EC56858 |

Schematic



VIEW SHOWN WITHOUT COVERS



Catalog No. WTBN3600CU

© 2013 Copyright Siemens Industry, Inc.

SIEMENS
Siemens Industry, Inc.

PowerMod™ Tap Box

Catalog Numbers: **3 Phase, 600 Amp Service Entrance Tap Box (CE)**

Size B Dwg. No. **WTBN3600CU**

Dwn KAM Date 4/29/13 DO NOT SCALE DRAWING SHEET 1 OF 1