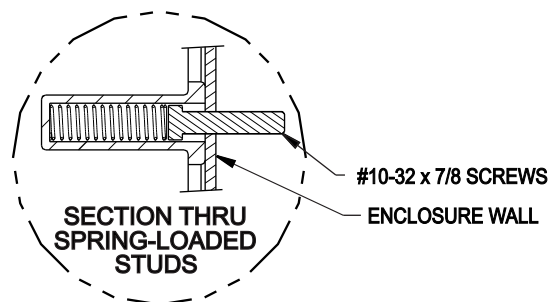
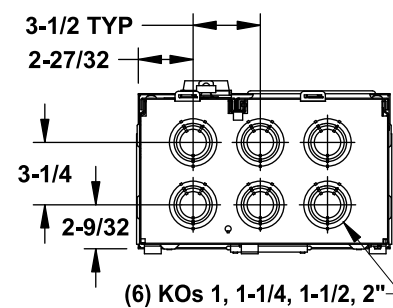
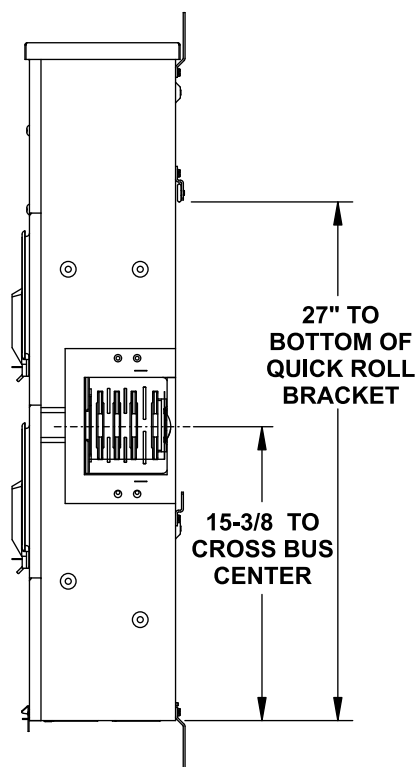
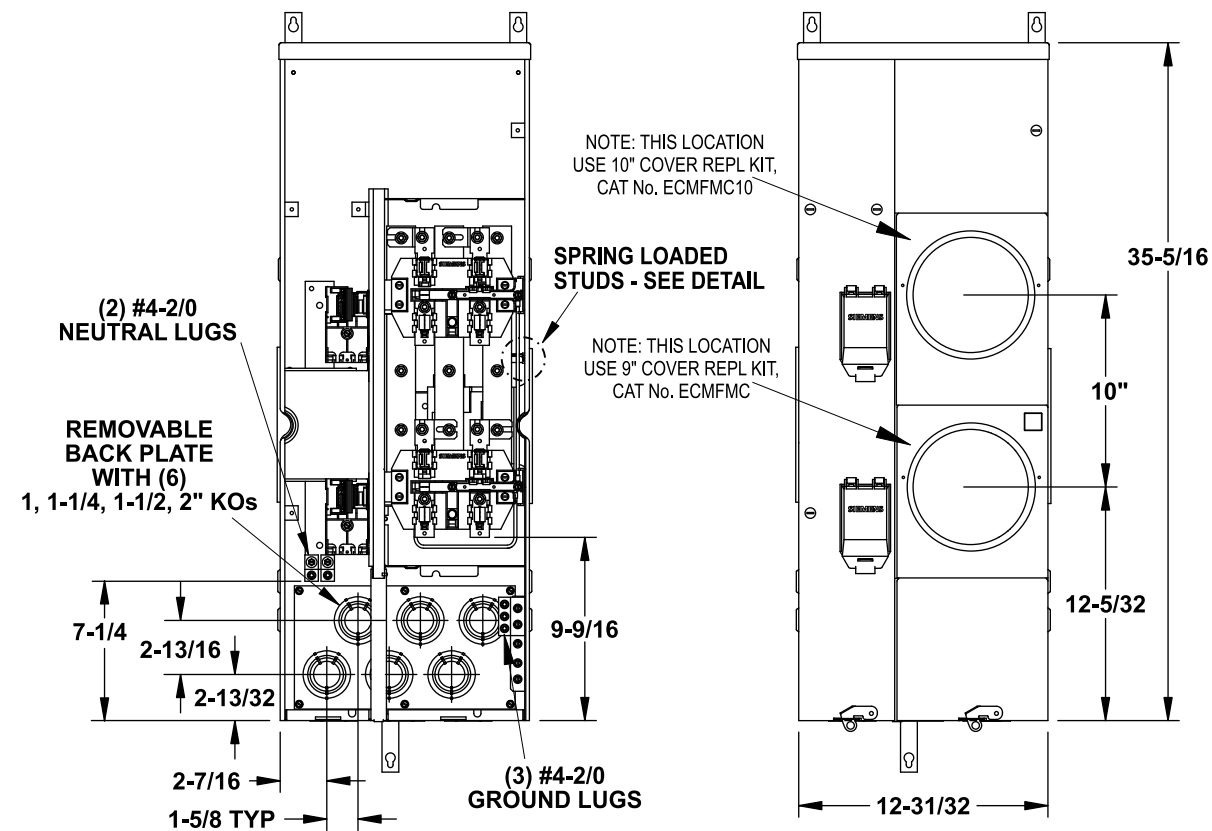


VIEW SHOWN WITHOUT COVERS



Catalog Numbers, Features and Ratings

- MAIN BUS RATING: 1200 AMPS, 240V AC MAX.
- METER SOCKET RATING: 125 AMPS CONTINUOUS
- 65,000 AIC RATING MAX., 125 AMPS MAX. BRANCH RATING
- 3 PHASE INPUT / 1 PHASE OUTPUT
- TYPE 3R OUTDOOR ENCLOSURE
- MOUNTING RAILS AND ADJUSTABLE BRACKETS FOR SECURE MOUNTING
- 10" METER SOCKET SPACING FOR CONSOLIDATED EDISON

Catalog No.	Main Bus	Branch Rating	Meter Positions	Cover Type	5th Jaw, Position
WMN22125J	3 Phase	125A Max.	2	Ring	Installed, 9:00

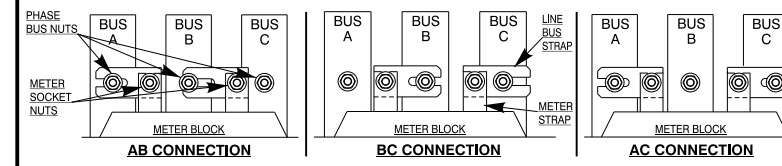
Additional Modules

FOR USE WITH:	Siemens Series#
Main Breakers	WB, WEB, WXB
Switches	WS, WES
Tap/Terminal Boxes	WTB, WET, WT_PU
Meter Module	(W)MM, (W)ML
Meter Combinations	WC, WCL
Extension Box	WSP, WSPD
Bussed Elbow	BE

Connect Modules Using:	Catalog Number / Torque
QuickConnect	QC4, Torque 400-440 lb-in (35-36 ft.-lb.)

Rephasing Instructions

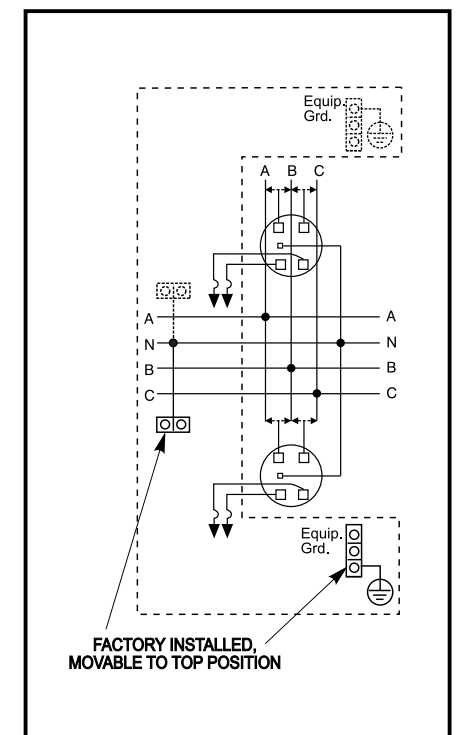
Factory installed phasing is AB, BC, AC, AB, BC, and AC top to bottom. Each meter socket can be phased AB, BC, or AC by repositioning line bus straps. If a different phase arrangement is needed, loosen hex nuts and reconnect one or both line bus straps, then retighten the hex nuts to 60-65 lb.-in. Tighten hex nut at meter socket first, then tighten hex nut on vertical phase bus.



Accessories

Description	Catalog No.
Horn By-Pass Mod	ECMFH
End Closure Plate	WMEP
5th Jaw Mod	ECMF5
Meter Cover Plate	ECCP3
Meter Socket	ECMFS
125A Breaker Mounting	ECMFBM1
Meter Cover, Ring Type 9"	ECMFMC
Meter Cover, Ring Type 10"	ECMFMC10
Parts Kit	ECMFPK
Load Cover Screws	ECMFCS
Bottom Pull Cover	ECMFC
Mounting Rail	MMRAIL
Mounting Clip	MMCLIP
Quick Phase Strap	ECMFPS
Breaker Cover Repl.	ECBC
Mounting Tabs (2)	ECMFTAB
Ground/Ntl Bar Kit	ECMFGN125
Back Rail/Clip	ECMFWLCLIP
Wall Mounting Rail (60")	MMZR60
QP Breaker Retainer	ECMBR2
KO Plate with Knockouts	ECMMKOP
KO Plate w/o Knockouts	ECMMNKOP

Schematic



© 2013 Copyright Siemens Industry, Inc.

SIEMENS
Siemens Industry, Inc.

PowerMod™ Meter Stack

Catalog Numbers: **3in-1out Residential Socket, 2 Pos, 125A, 5th Jaw, Ring Type w/10" Centers**

Size B Dwg. No. **WMN22125J**

Dwn KAM Date 4/22/13 DO NOT SCALE DRAWING SHEET 1 OF 1